

## 2 | Specifications

Dimensions	27.8 cm x 25.9 cm x 8.32 cm (10.9 in x 10.2 in x 3.3 in)
Color	White
Compatible Lockset (optional)	D101 Lock and Key Set
Compatible Dual Tamper Switch (optional)	ICP-EZTS Tamper Switch D110 Tamper Switch
Material	0.7 mm (22 gauge) cold-rolled steel

## Small Control Panel Enclosure B11



en Installation Guide



### Reading Bosch Security Systems B.V. Product Date Codes

For Product Date Code information, refer to the Bosch Security Systems B.V. Web site at: <http://www.boschsecurity.com/datecodes/>.

### Bosch Security Systems B.V.

Torenallee 49  
5617 BA Eindhoven  
Netherlands

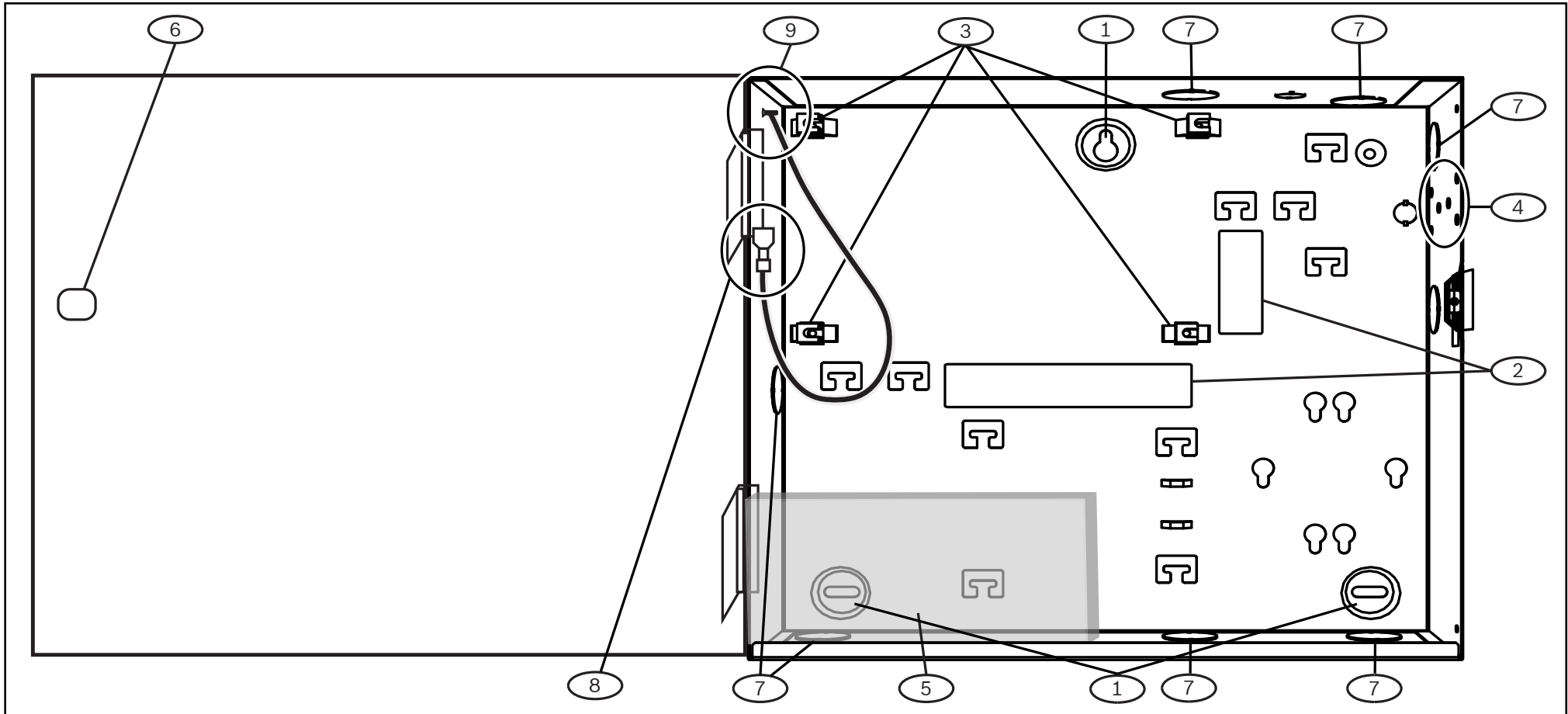
[www.boschsecurity.com](http://www.boschsecurity.com)

© Bosch Security Systems B.V., 2019



# 1 | Overview

This enclosure is compatible with select Bosch intrusion products, and can hold one batteries.



Callout	Description
1	Enclosure mounting holes (3) Bosch recommends using #8 screws and wall anchors to install.
2	Wire knockouts (9)
3	Control panel mounting location
4	Tamper switch mounting location
5	Battery mounting location (size 7Ah)
6	Lockset mounting location
7	Conduit knockouts (8) 12.7 mm (1/2 in)
8	Grounding (bonding) connection to enclosure door
9	Grounding (bonding) connection for door only. Do not connect any other wires to this lug.