

## 4 | Specifications

Dimensions	D 127 mm x H 29 mm (5.0 in x 1.14 in)
Antenna weight	0.2 kg (0.44 lb)
Operating temperature	-30° C to 70° C (-30°F to 158°F)
Storage temperature	-40° C to 85° C (-40°F to 185°F)
Frequency range	698 - 960 MHz, 1710 - 2170 MHz
VSWR maximum	3.0:1
Gain (dBi) - mounted on metal	2.4 (typical), 2.0 (max) - 700 band 1.5 (typical), 1.9 (max) - 800 band 1.9 (typical), 2.1 (max) - 900 band 4.1 (typical), 4.5 (max) - 1800 band 4.5 (typical), 4.3 (max) - 1900 band 3.6 (typical), 4.3 (max) - 2100 band
Gain (dBi) - mounted on plastic	2.9 (typical), 3.4 (max) - 700 band 2 (typical), 2.3 (max) - 800 band 2.3 (typical), 2.7 (max) - 900 band 4.7 (typical), 5.2 (max) - 1800 band 4.5 (typical), 4.3 (max) - 1900 band 2.9 (typical), 4.2 (max) - 2100 band
Polarization	Linear, Omnidirectional
Azimuth beam width (deg)	Omnidirectional
Input impedance	50 Ω
Power (maximum)	10 W
Environmental	Indoor/outdoor
Cable type	RG316
Cable length	2 m (6.5 ft)
Compatible modules	B440 B441 B442 B443

### Copyright

This document is the intellectual property of Bosch Security Systems, Inc., and is protected by copyright. All rights reserved.

### Trademarks

All hardware and software product names used in this document are likely to be registered trademarks and must be treated accordingly.

### Bosch Security Systems, Inc. product manufacturing dates

Use the serial number located on the product label and refer to the Bosch Security Systems, Inc. website at <http://www.boschsecurity.com/datecodes/>.



**Disk-Puck Antenna**  
B40-P



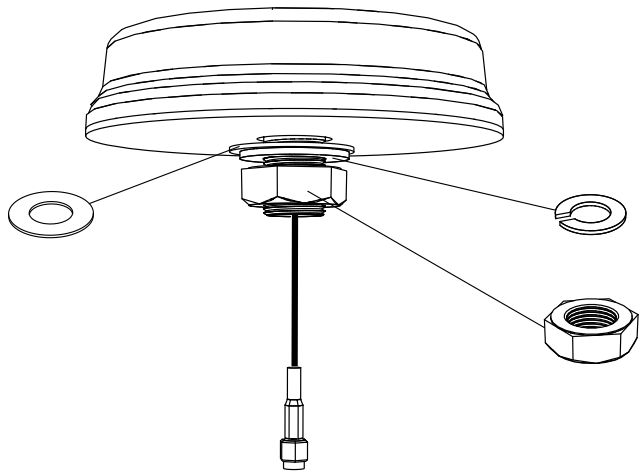
en Installation Manual

**Bosch Security Systems, Inc.**  
130 Perinton Parkway  
Fairport, NY 14450  
USA

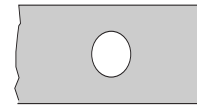
**Bosch Sicherheitssysteme GmbH**  
Robert-Bosch-Ring 5  
85630 Grasbrunn  
Germany

[www.boschsecurity.com](http://www.boschsecurity.com)

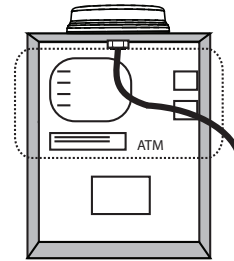




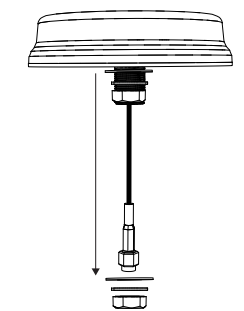
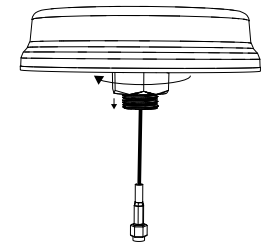
1 |



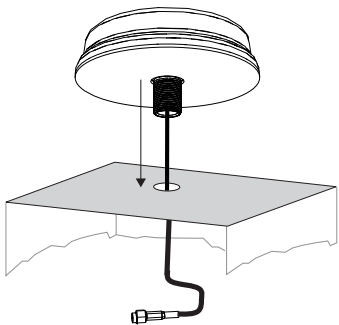
20 mm (0.8")



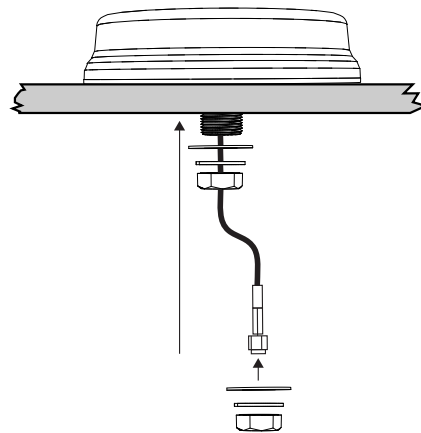
2 |



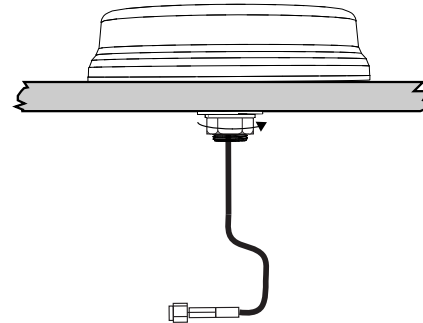
3 |



4 |



5 |



6 |

