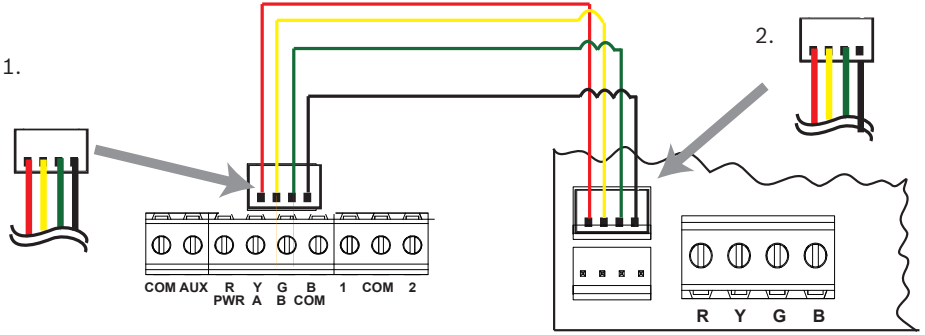


1 |



Weight	0.17 lb (0.08 kg)
Length	12.5 in (31.75 cm)
Quantity	10



**Bosch Security Systems, Inc.**  
130 Perinton Parkway  
Fairport, NY 14450  
USA

[www.boschsecurity.com](http://www.boschsecurity.com)

**Bosch Sicherheitssysteme GmbH**  
Robert-Bosch-Ring 5  
85630 Grasbrunn  
Germany

## B501-10 SDI-2 Molex cable Installation Manual

