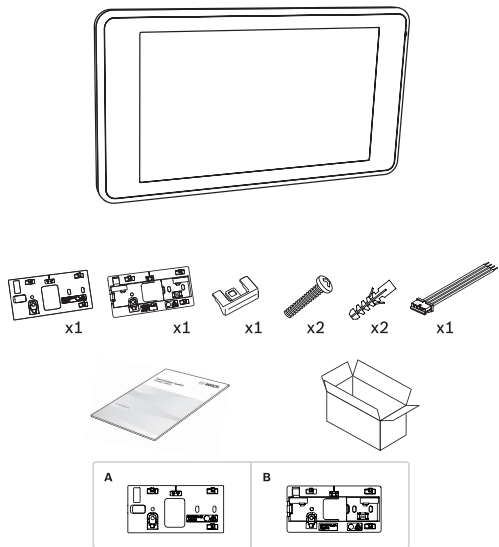
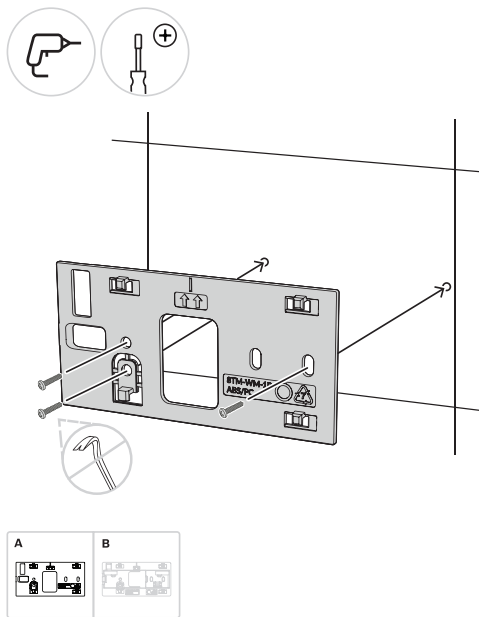


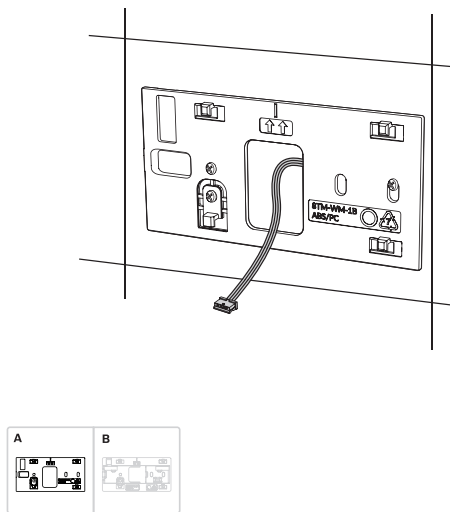
1 |



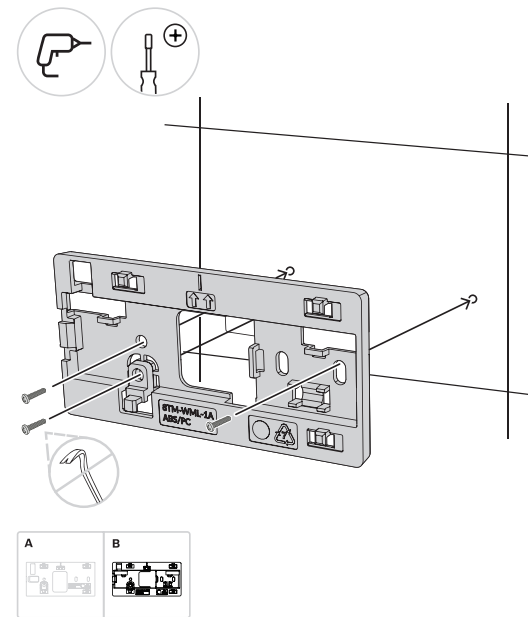
2 |



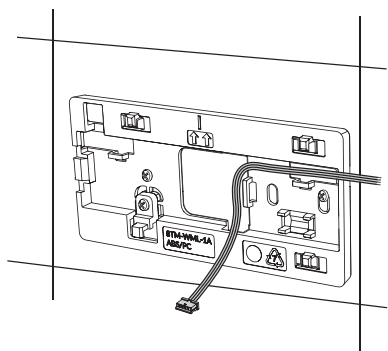
3 |



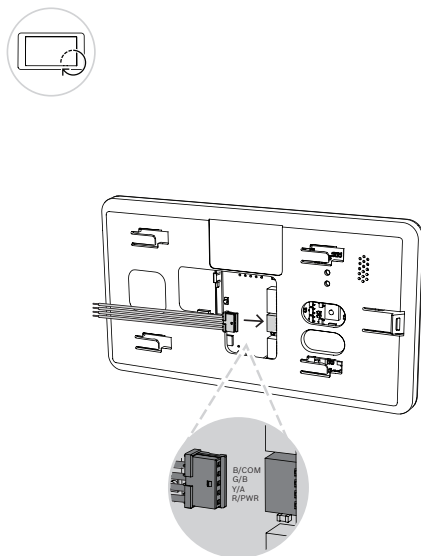
4 |



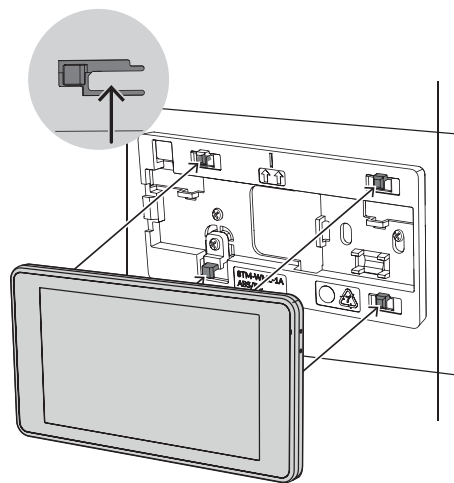
5 |



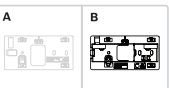
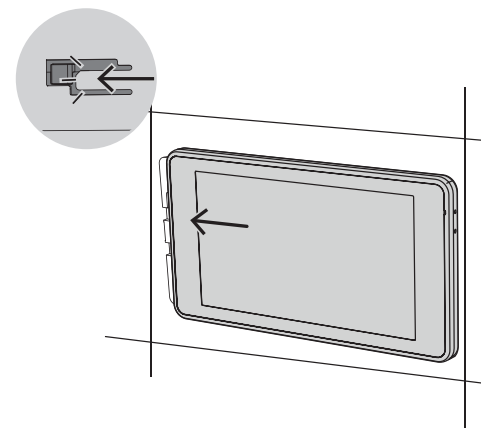
6 |

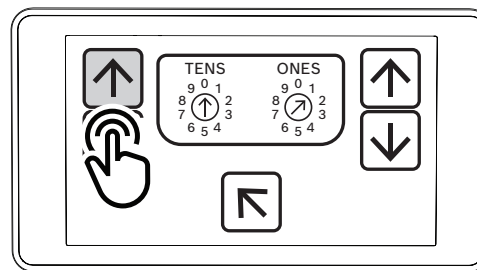
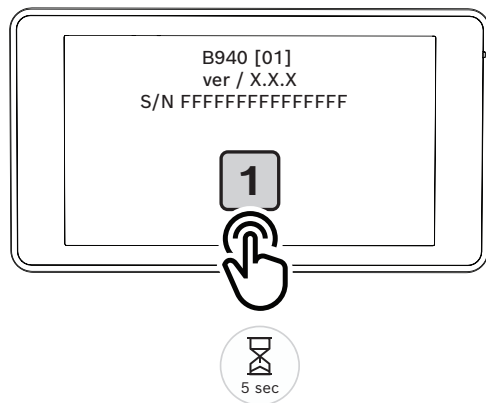
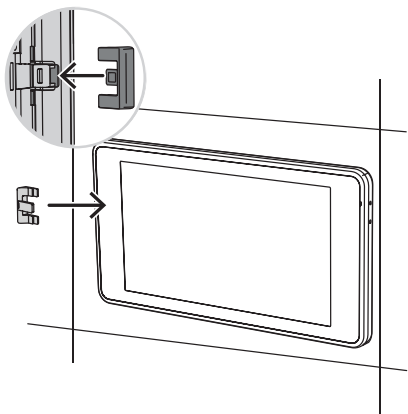


7 |

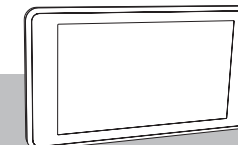


8 |

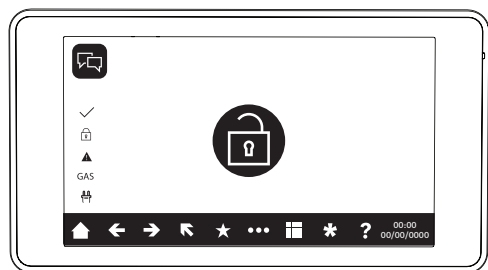
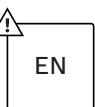




Slim Touch Keypad
B940W



en Quick installation guide



Max wire run: Unshielded wire only
150 ft (46 m)-22 AWG (0.65 mm)
390 ft (119 m)-18 AWG (1.02 mm)

Power Usage:
Standby: 250 mA
Alarm: 365 mA
Voltage input: 12 VDC Normal

Region	Certification
US	UL 10766
	UL 1610
	CSFM
	FCC Part 15 Class B
	ANSI/SIA CP-01-2010
CA	ULC S303
	ULC S304
	ULC S545
	ULC-ORD C1023
	ULC-ORD C1076
	ICES-003

Bosch Security Systems B.V.
Torenallee 49
5617 BA Eindhoven
Netherlands
www.boschsecurity.com
© Bosch Security Systems B.V., 2023

