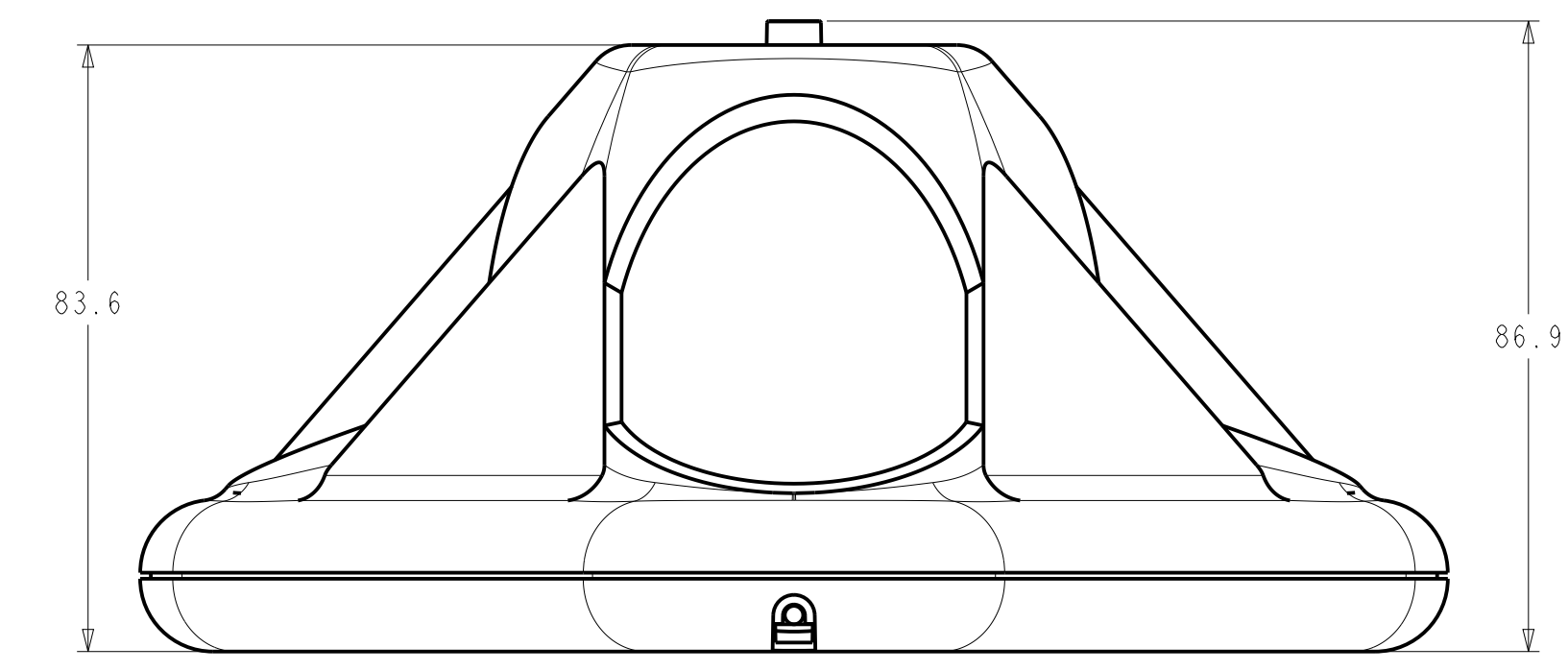
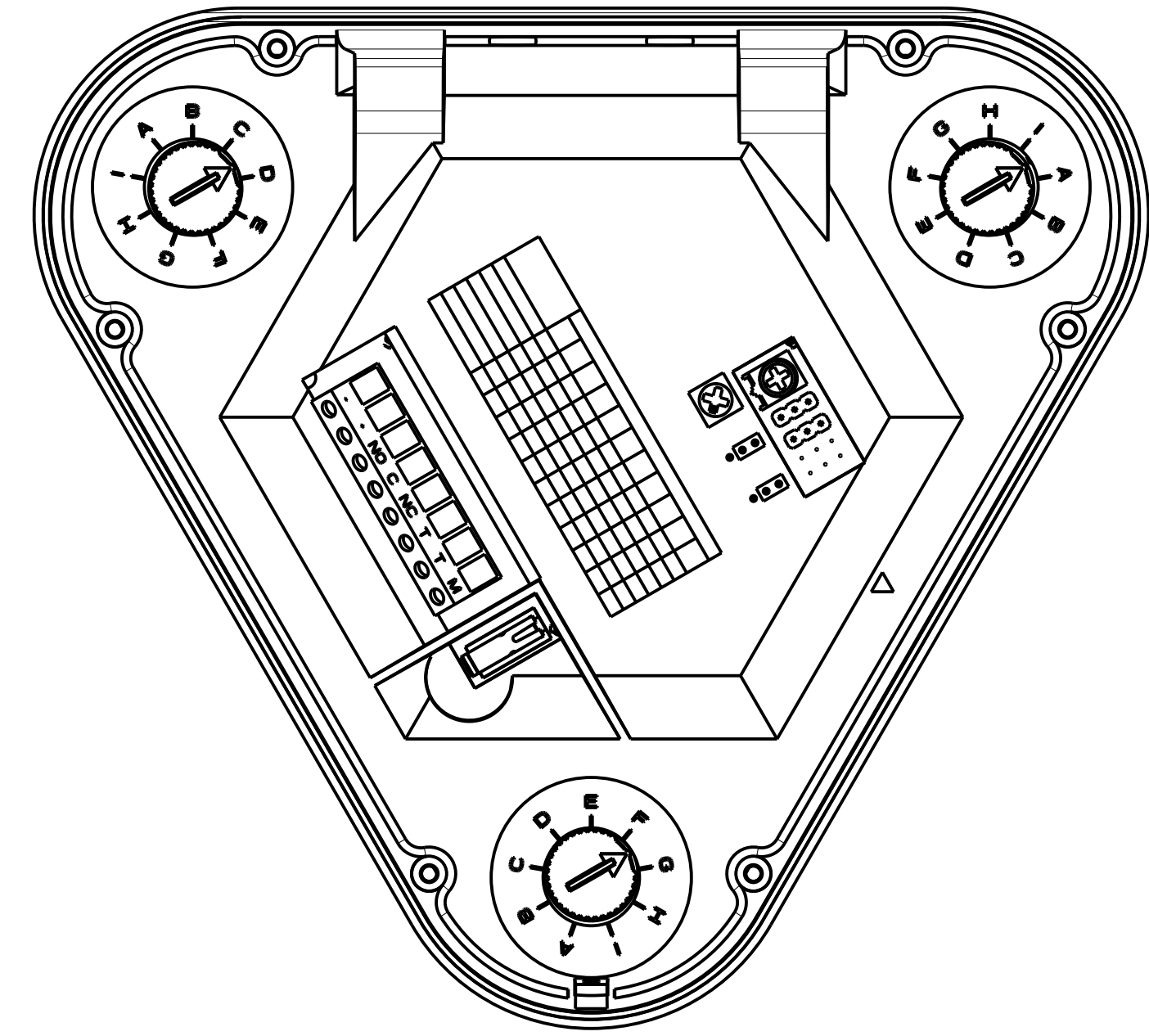
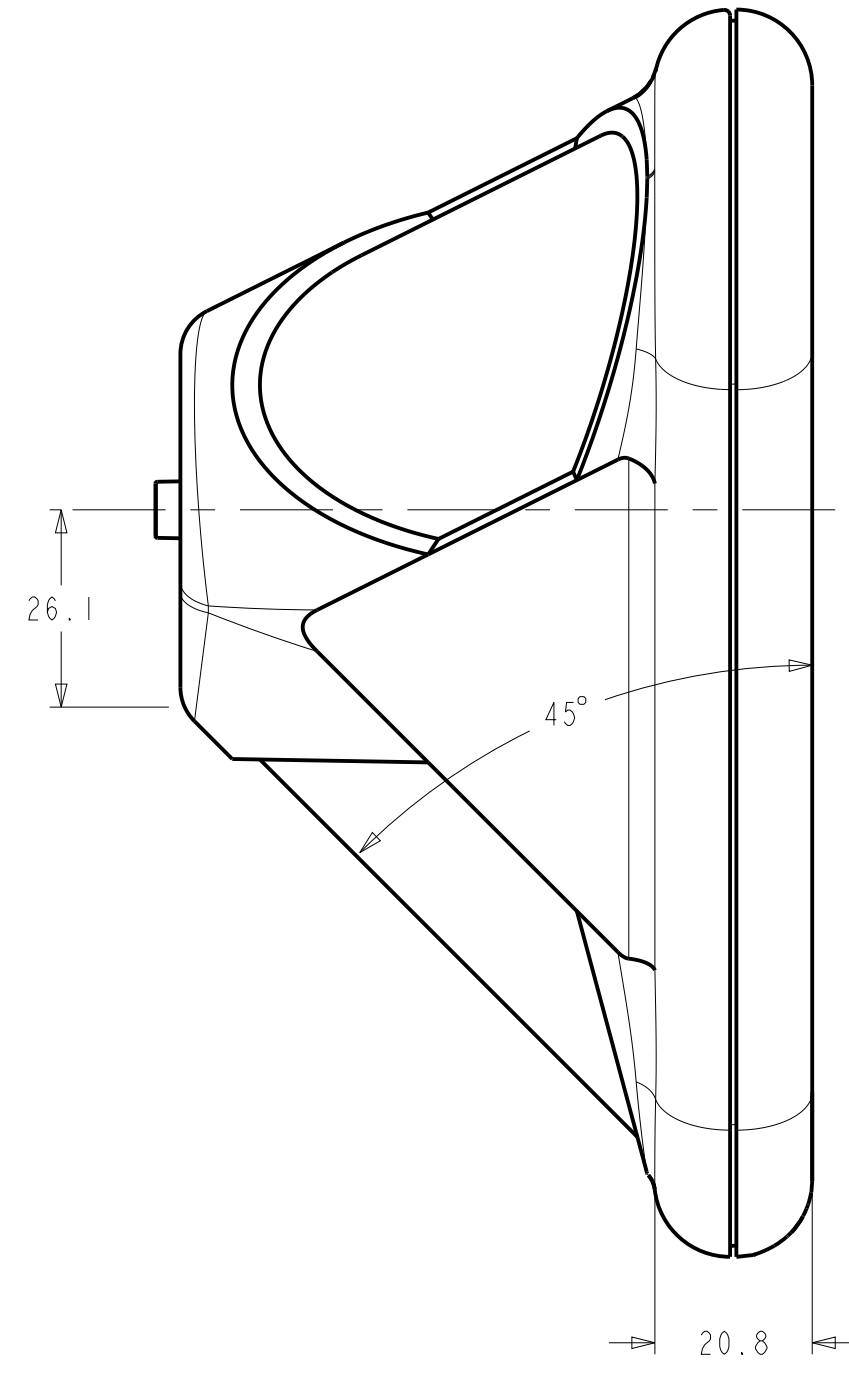
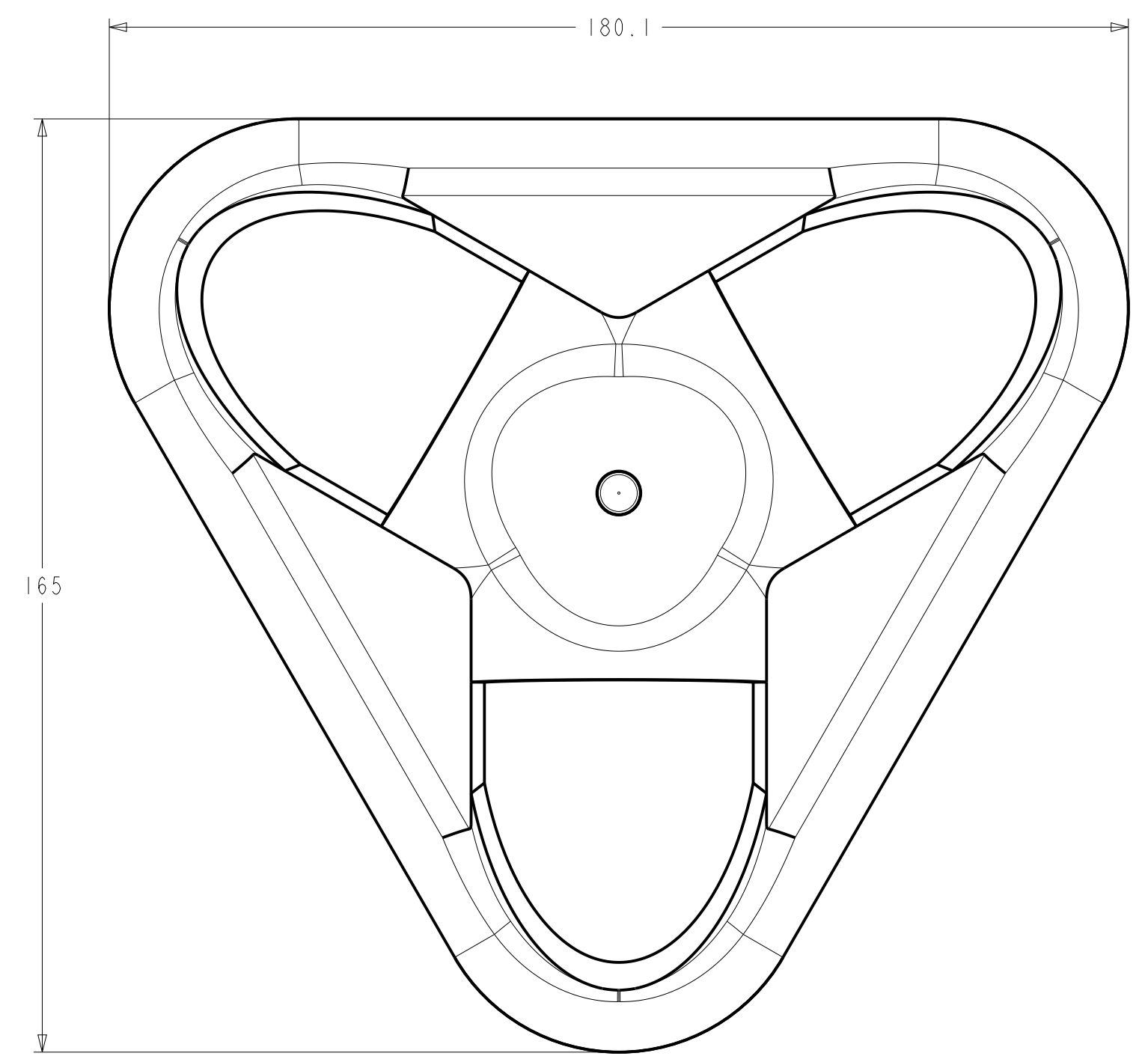


DWG NO		SH		I	
REVISIONS					
CHANGE NO	VER	DESCRIPTION		DATE	DFT
-	01	RELEASED		6DEC16	REW



PROPRIETARY DATA DATA CONTAINED HEREIN SHALL NOT BE USED, DUPLICATED OR DISCLOSED IN WHOLE OR PART OUTSIDE BOSCH SECURITY SYSTEMS WITHOUT EXPRESSED WRITTEN PERMISSION OF SAME		SUPPLIER BOSCH SECURITY SYSTEMS, INC. 130 PERINTON PARKWAY FAIRPORT, NY 14450 USA		BOSCH	
THIRD ANGLE PROJECTION		DS939/9370 DIMENSIONS			
CAD Pro/ENGINEER		SIZE D	DWG TYPE DRW	DWG NO	VER 01
FILE DS9370_FINAL_ASM24		DRAWN BY R.E. WALTERS		DATE DRAWN 6DEC16	
SCALE 1:1		SHEET 1 OF 1		6FE805	