



Conettix Communications Receiver/Gate- way

D6600/D6100IPv6



BOSCH

en Installation and Operation Guide

Table of contents

1	Emergency Procedures	6
2	Introduction	7
2.1	About documentation	7
2.2	Bosch Security Systems, Inc. Product Manufacturing Dates	7
3	System overview	9
3.1	Parts List	10
4	Quick Installation	11
4.1	Setting the Time and Date	13
5	Card Functions and Locations	14
5.1	D6600 Front Panel	14
5.2	Line Cards and Modules	15
5.3	D6600 Rear View	16
5.3.1	D6600 Internal View	17
5.4	D6100IPv6 Front Panel	18
5.5	D6100IPv6 Rear View	18
6	D6600 Specific Cards	19
6.1	D6640/D6641 Line Cards and D6645 Line Terminator Cards	19
6.1.1	D6640/D6641 LED Descriptions	20
6.2	Card Installation	21
6.3	D6610 CPU Card and D6615 CPU Terminator Card	22
6.4	Card Removal and Replacement	23
7	Printer Specifications	24
8	Installation	25
8.1	Installation Check List	25
8.2	Rack Mount Instructions	26
8.3	Removing Power to the Receiver	26
9	Power	27
9.1	Power Supply Modules	27
9.2	Main Power	27
9.3	Standby Power	27
9.4	Connecting External Batteries	27
9.4.1	Minimum Standby Battery	29
9.4.2	Minimum Standby UPS Power	29
9.4.3	Estimated BTU Load	29
10	Input and Output Ports	30
10.1	Overview of Input and Output Ports	30
10.1.1	UPS Monitoring through CPU Programmable Input Ports	30
10.1.2	Automation Link Monitoring (COM3) through CPU Programmable Output Ports	32
11	D6600/D6100IPv6 Operation	33
11.1	Process Flow	33
11.1.1	Receiver Handshake and Kiss-Off	33
11.1.2	Message Verification	33
11.1.3	Handshake Tone Compatibility	33
11.1.4	Message is Received	34
11.1.5	How Call Groups Work	34
11.1.6	Buzzer Operation	34
11.1.7	Reporting Devices: Primary and Secondary	34

11.2	Normal Operation Mode	35
11.3	Operating in Manual Mode	35
11.4	Keypad Menu Operation	36
11.4.1	Log In	36
11.4.2	Using the Keypad	36
11.4.3	Event Buffer Display	36
11.4.4	Current System Trouble Display	37
11.4.5	Software Version Display	37
11.4.6	Keypad Functions	37
11.5	Busy Seconds (Line Busy) Reports	38
11.6	Two-Way Audio	39
11.6.1	Enhancements and Changes	40
11.6.2	Two-Way Auto Modes of Operation	40
12	Network Communications	42
12.1	Conettix D6600/D6100IPv6 Pre-installation Requirements	46
12.1.1	Setting Up the Conettix D6600/D6100IPv6 over an Ethernet Network	46
12.1.2	Host Computer for Conettix D6600/D6100IPv6 System Setup	46
12.2	Operation	46
12.2.1	Setting Up the Host Computer	46
12.2.2	Network Failover Solution (D6600 Only)	51
12.2.3	Conettix Datagram Type Differences	53
12.2.4	Networking and Encryption	54
12.3	Special Conettix D6600 Applications	56
12.4	D6100IPv6 Configuration Setup Instructions	57
12.4.1	Factory Default IP Address	57
12.4.2	Identifying the MAC Hardware Address	58
12.4.3	Obtaining an IP Address	58
12.4.4	Using the D6200 to configure the D6100IPv6	58
12.4.5	Configuring for Network Communication	63
12.5	D6100i Configuration Setup Instructions	64
12.5.1	Identifying the MAC Hardware Address	64
12.5.2	Obtaining an IP Address	64
12.5.3	Initial IP Address Assignment Using ARP.EXE	65
12.5.4	Using Telnet to Finish the Configuration	66
12.5.5	Configuration Using Telnet	67
12.5.6	Configuring for Network Communication	70
13	No Data Received Reports	72
13.1	No Data Received	72
13.2	Data Error	72
13.3	Wrong Data	72
14	Central Station Automation System	73
15	Central Station Tips	75
15.1	Back-up Receiver	75
15.2	Computer Interface	75
15.3	D6200 Programming Software	75
15.4	Telephone Lines	75
15.5	Proper Ground	76
15.6	Radio Frequency Interference	76
15.7	Test Communicator	76

16	Troubleshooting Guide	77
17	Specifications	80
18	Service Information	84

1 Emergency Procedures

**Notice!**

Throughout this document references to D6100IPv6 also apply to the D6100IPv6 unless otherwise noted.

The *Service Information, page 84* section of this guide contains a Service Information form. Keep this form current and accessible to central station personnel at all times in case of emergency.

If your D6600/D6100IPv6 becomes inoperable or experiences trouble receiving signals:

1. Notify your supervisor.
2. Refer to *Troubleshooting Guide, page 77*.
3. Contact Bosch Security Systems, Inc. at (800) 289-0096 for assistance if you have a receiver spares package and need to replace a circuit card or module.

**Notice!**

The AC/DC Power Supply Module and DC/DC Power Supply Module for the D6600 are not field serviceable. Contact Bosch Security Systems, Inc. for service.

Caution!

Disconnect power to the receiver before removing the CPU or CPU terminator card.

Before Calling

1. Have this guide nearby and opened to *Troubleshooting Guide, page 77*.
2. Have your spares package, the D6200 Programming Software, and the D6600/D6100IPv6 Program Entry Guide (P/N: 4998122702) nearby.
3. Know the location of the telephone line jacks for the receiver.
4. Know the telephone numbers to the receiver's telephone line cards.
5. Know the exact nature of the problem you are experiencing such as reports received, LEDs lit, or Operator Alert Buzzer sounded.
6. Have the service information form nearby (refer to *Service Information, page 84*).

2 Introduction

2.1 About documentation

Document Terminology

Action buttons for the D6600/D6100IPv6 are described using the following terminology:

D6600	D6100IPv6	Terminology
[M/E]	[ENTER]	Enter
[Δ]	[Δ]	Up (a level)
[∇]	[∇]	Down (a level)
[CAN]	[CANCEL]	Cancel
[□]	[ACKNOWLEDGE]	Acknowledge
[F]	[FUNCTION]	Function

Copyright

This document is the intellectual property of Bosch Security Systems, Inc. and is protected by copyright. All rights reserved.

Trademarks

All hardware and software product names used in this document are likely to be registered trademarks and must be treated accordingly.

Conettix Documentation

- Conettix DX4020 Installation Guide* – F01U045288
- Conettix D6600/D6100IPv6 Quick Start* (this document) – 4998122701
- Conettix D6600/D6100IPv6 Program Entry Guide* – 4998122702
- Conettix D6600/D6100IPv6 Computer Interface Manual* – 4998122703
- Conettix D6600/D6100IPv6 Release Notes* – 4998122709
- D6202 Operation and Installation Guide* – 4998122713
- Conettix D6201 Installation Instructions* – 4998122717
- C900TTL-E Installation Guide* – 4998122718
- DeviceInstaller Operation and Installation Guide* – 4998138688
- Conettix D6680 Installation Guide* – 4998138732
- Conettix ITS-D6686 Installation Guide* – F01U078049
- Conettix D6600 Card Insertion Installation Guide* – 4998141059
- Conettix D6200 Operation and Installation Guide* – 4998154991
- Conettix C900V2 Installation Guide* – F01U003472
- Ethernet Communication Module B420 Operation and Installation Guide* – F01U215236
- Ethernet Communication Module B426 Operation and Installation Guide* – F01U266226

2.2 Bosch Security Systems, Inc. Product Manufacturing Dates

Use the serial number located on the product label and refer to the Bosch Security Systems, Inc. website at <http://www.boschsecurity.com/datecodes/>.

The following image shows an example of a product label and highlights where to find the manufacturing date within the serial number.

 **BOSCH**

Model Number
Mat/N: F01Uxxxxxx

7  9
82695 11xxx

8  9
717332 311xxx
09216082027193xxxx

PRODUCT QTY= 1

3 System overview



Notice!

The *D6600/D6100IPv6 Installation and Operation Guide* covers the general installation and operation of the products.

Refer to the appropriate Installation Supplement included with your product for the specifics of your particular installation.

Customers ordering a D6100IPv6-01 receive a Model D6100IPv6 Communications Receiver/Gateway, and should refer to the *UL864 & UL1610 Installation Supplement* (P/N: F01U134241) included with the product.

The Conettix D6600/D6100IPv6 Communications Receiver/Gateway offers several unique features:

- Modular construction with plug-in circuit boards for quick, easy service
- Open-structure PC platform for future development
- Programmable formatting for receiving data from most major brands of digital communicators
- Easy and inexpensive updating using modular cards (D6600 only)
- Convenient software downloads
- Superior digital signal processing to reduce noise and signal loss
- User interface module with LED indicators
- Front panel keypad
- Alphanumeric liquid crystal display (LCD) The D6600 metal enclosure contains several modular cards:
 - Conettix D6610 Central Processing Unit (CPU) Card
 - Conettix D6615 CPU Terminator Card
 - Conettix D6640 or D6641 Telephone Line Card that supports four telephone line interfaces
 - Conettix D6645 Telephone Line Terminator Card

Up to seven additional telephone line cards along with seven additional line terminator cards can be installed in the D6600 to expand the receiver’s capacity to 32 receiving lines.

D6600/D6100IPv6 Supported Communication Formats	
Acron Super Fast	ROBOFON*
Ademco Slow	Scantronics Scancom*
Ademco Express	Series FSK/DTMF*
Ademco High Speed	Sescoa Super Speed
Ademco Contact ID	SIA 8/20/300
CFSK Bell/V.21*	SIA ADT*
FBI Superfast	SIA V.21*
Franklin/Sescoa	Silent Knight Fast
ITI*	Silent Knight FSK
Radionics BFSK	Standard Pulse Formats
Radionics Hex	Sur-Gard DTMF

Radionics Modem II	Telim*
Bosch Modem4/ModemIIIa ² /ModemIIe	Veritech FSK
RB2000 (D6641 only)*	VONK (D6641 only)*
* Not investigated by UL.	

- Use a printer to permanently record date, time, group number or transmission format and line number, account number, receiver number, and event by area, zone, and point. The printer tape and the D6600/D6100IPv6 LCD display show other receiver status messages such as software revision levels of the CPU Card.
- Program the D6600/D6100IPv6 using the front panel keypad or through the COM4 port with the D6200 Programming Software package.
- The Conettix D6600/D6100IPv6 support data network communications including an account database capacity of up to 3200 accounts with the optional *Conettix D6201 IP Security Key*.
- The D6600/D6100IPv6 works with the following Bosch Security Systems, Inc. control panels (referred to throughout this manual as “Bosch control panels”): D9412GV3/D7412GV3/D7212GV3, D9412GV2/D7412GV2/D7212GV2, D9412G/D7412G/D7212G/D9412/D7412/D7212, and D911.

3.1

Parts List

Conettix D6600 System Components

- One Conettix D6600 Communications Receiver/Gateway
 - One AC power cord
 - One Battery cable P6601
 - I/O cable P6602
 - Two rack mount brackets
 - Four 8/32 phillips-head screws
 - One CD-ROM D6200CD
- The D6X00 README.TXT file on the CD lists the installation files contained on the CD.

Conettix D6100IPv6 System Components

- Conettix D6100IPv6 Communications Receiver/Gateway
 - 18 VAC transformer
 - Battery cable P6601
 - I/O cable P6602
 - CD-ROM D6200CD
- The D6X00 README.TXT file on the CD lists the installation files contained on the CD.

4 Quick Installation

D6600

1. Place the D6600 in a secure location.
2. Remove the tie wrap from the receiver door handle. Open the door and remove the packaging foam from the front of the CPU Card.
3. Gently push the CPU and line cards into their slots until they connect securely.
4. Ensure that the D6600 power switch is in the OFF position.
5. Plug the AC power cord into the rear of the D6600.
6. Plug the other end into an unswitched 100 to 120 VAC (or 220 to 230 VAC), 50 to 60 Hz line.
7. Refer to the figure *AC Power and Telephone Connections, page 12*. Plug the telephone lines into the connectors on the first line terminator card.
8. If you need a network automation connection, skip this step and continue with the remainder of the installation. For additional instructions on connecting automation software to the network, refer to *Network Communications, page 42*. Refer to the figure *Automation PC and External Parallel Printer Connections, page 12*. Connect the automation computer (callout 1) to COM3 the center DB-9 connector on the CPU terminator card, using a null-modem cable (callout 2).
9. Refer to the figure *Automation PC and External Parallel Printer Connections, page 12*. Connect an external parallel printer, with the power off (callout 4), to the lower 25-pin connector on the CPU terminator card (callout 5).
10. Turn the power switch on the D6600 to the ON position.
11. Press the UP button to increase display contrast. Press the Down button to decrease display contrast.
12. Press the Menu button to enter the menu.
13. On the **Enter Password** screen, type **6600** (default password).
14. Press the Enter button to enter the menu.
Use these keys to operate the D6600 menus:
Enter – Enter a menu level
Cancel– Return to the previous menu level
UP/Down arrow – Scroll through the menus
15. Set the Time and Date on the D6600 (refer to *Setting the Time and Date, page 13*).
16. The D6600 is ready to accept calls.

D6100IPv6

1. Place the D6100IPv6 in a secure location (such as a rack mount or desktop).
2. Refer to the figure *AC Power and Telephone Connections, page 12*. Plug telephone lines into the connectors on the back of the D6100IPv6.
3. If you need a network automation connection, skip this step and continue with the remainder of the installation. For additional instructions on connecting automation software to the network, refer to *Network Communications, page 42*. Refer to the figure *Automation PC and External Parallel Printer Connections, page 12*. Connect the automation computer (callout 1) to COM3, the DB-9 connector using a null-modem cable (callout 2).
4. Refer to the figure *Automation PC and External Parallel Printer Connections, page 12*. Connect an external parallel printer (callout 4), with the power off, to the 25-pin connector (callout 6).
5. Connect the transformer leads to the 18 VAC terminals and plug the other end into the power source.

6. Press the Up to increase the display contrast. Press the Down arrow to decrease the display contrast.
7. Press the Menu button to enter the menu.
8. On the **Enter Password** screen, type **6100** (default password).
9. Press the Menu button to enter the menu.
Use these keys to operate the D6100IPv6 menus:
Menu – Enter a menu level
Cancel – Return to the previous menu level
Up/Down arrow – Scroll through the menus
10. Set the Time and Date on the D6100IPv6 (refer to *Setting the Time and Date*, page 13).
11. The D6100IPv6 is ready to accept calls.

AC Power and Telephone Connections

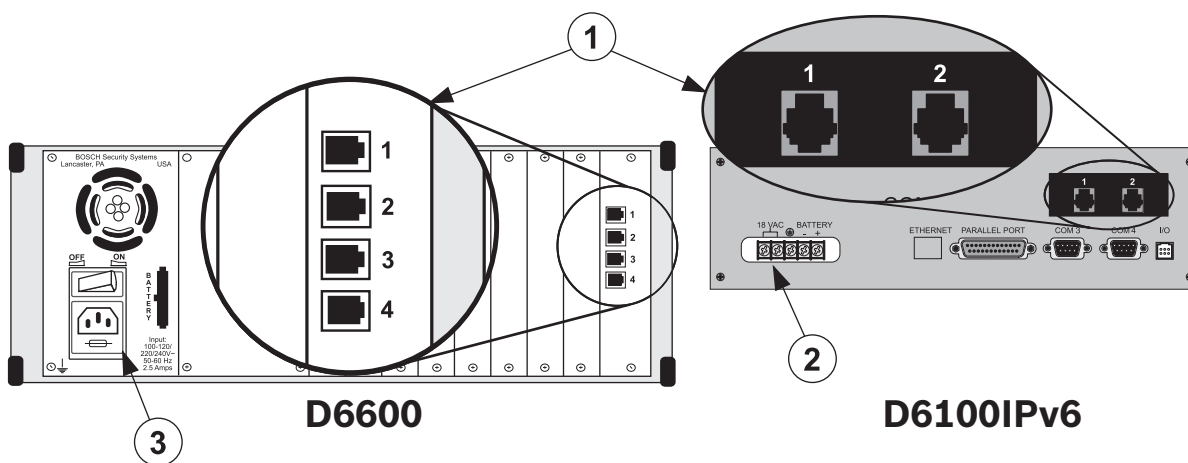


Figure 4.1: AC Power and Telephone Connections

Callout — Description
1 — Telephone connection
2 — AC power terminals
3 — AC power connector

Automation PC and External Parallel Printer Connections

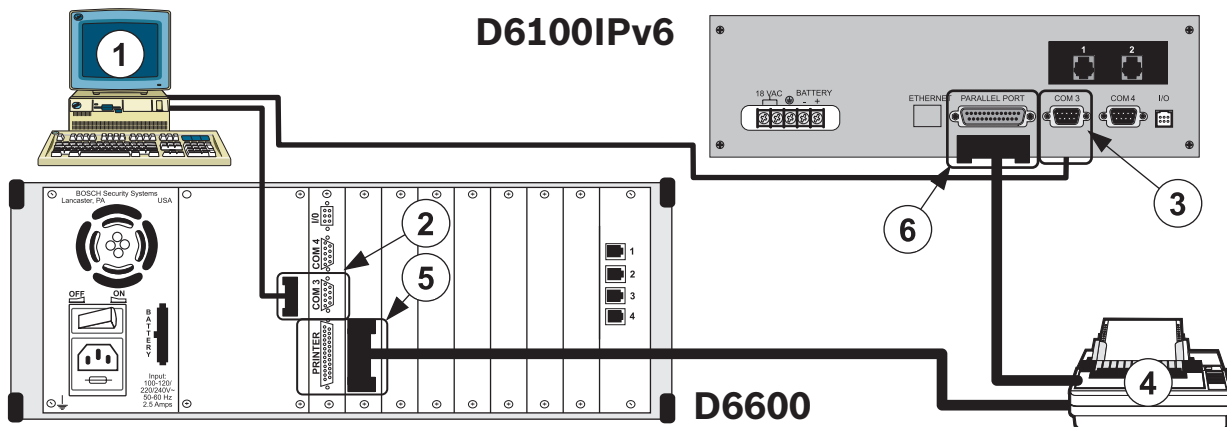


Figure 4.2: Automation PC and External Parallel Printer Connections

Callout — Description
1 — Automation PC
2 — COM3 9-pin port (D6600)
3 — COM3 9-pin port (D6100IPv6)
4 — Parallel printer
5 — 25-pin parallel port (D6600)
6 — 25-pin parallel port (D6100IPv6)

4.1 Setting the Time and Date



Notice!

The Time and Date display format is determined by the programming for Menu Item 2.2.3 Set Country.

Time Setup D6600/D6100IPv6

1. Press the **Enter** button to go to the log in screen.
2. Enter the password (6600 – default password).
3. Press the **Enter** button to go to the **1 Event Database**
4. Press the **Down** button to go to **2 CPU Configuration.**
5. Press the **Enter** button to go to **2.2 Global.**
6. Press the **Enter** button to go to **2.2.1 Time Setup.**
7. Press the **Enter** button to go to **Set Time.**
8. Enter the current time.
9. Press the **Enter** button to go to **2.2.1 Time Setup/New Time Set...**
10. Press the **Cancel** button to return to the previous level.

Date Setup D6600/D6100IPv6

1. Press the **Enter** button to go to the log in screen.
2. Enter the password (6600 – default password).
3. Press the **Enter** button to go to the **1 Event Database.**
4. Press the **Down** button to go to **2 CPU Configuration.**
5. Press the **Enter** button to go to **2.2 Global.**
6. Press the **Enter** button to go to **2.2.2 Date Setup.**
7. Press the **Enter** button to go to **Set Date.**
8. Enter the current time.
9. Press the **Enter** button to go to **2.2.2 Date Setup/Current Setting...**
10. Press the **Cancel** button to return to the previous level.

5 Card Functions and Locations

5.1 D6600 Front Panel

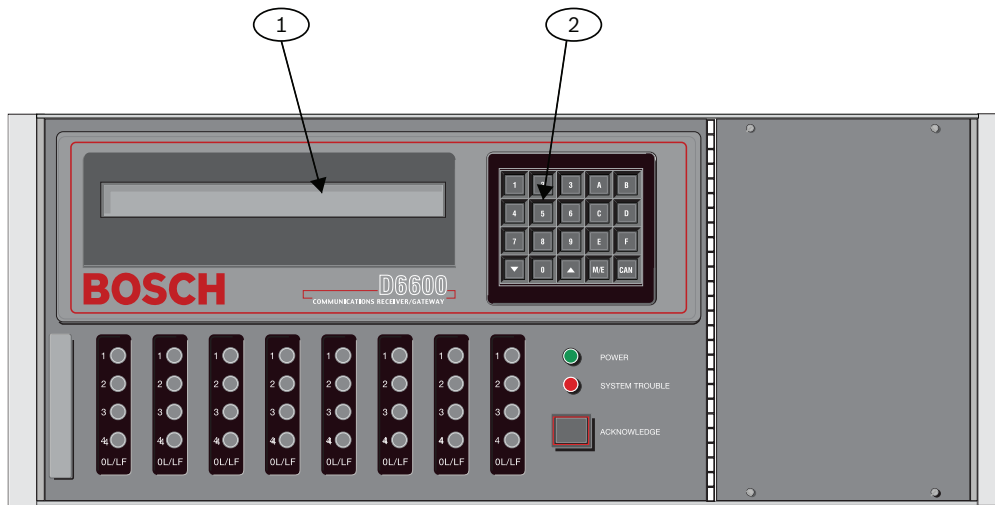


Figure 5.1: D6600 Communications Receiver/Gateway (Front View)

Callout — Description
1 — LCD — shows up to 80 characters of information (two lines of up to 40 characters each).
2 — Keypad — the D6600 has a 20-button keypad.

The table below shows and defines the D6600/D6100IPv6 Power LEDs.

2.234 Battery Supervision	Present		Power LED Status		
	A C	Battery	Green		Clear
			Solid	Blinking	
On	X	X			
	X				
		X			
Off	X	X			
	X				



		X			
					

Table 5.1: Power LED Indications

The figure below shows and defines the D6600/D6100IPv6 System Trouble LEDs.



		System Trouble LED Status	
		Solid Red or Yellow	Clear
No System Trouble			
Any System Trouble*			
<p>* Refer to <i>Appendix B: D6600/D6100IPv6 Internal Messages</i> in the <i>D6600/D6100IPv6 Computer Interface Manual</i> (P/N: 4998122703). The following items cause system trouble. The items indicated by ** can be enabled or disabled. If they are disabled, they will not cause a system trouble condition.</p>			
Battery Missing** UPS AC Fail** Battery Bad** UPS Battery Low** AC Fail System Temperature High		External Printing Error** Line Fault** COM# Error** Line Card Trouble** COM3 Trouble**	

Table 5.2: System Trouble LED

5.2 Line Cards and Modules

Name	Model	Description
Telephone line card	D6640	Legacy Card: Up to eight line cards can be installed in one D6600 Receiver, for up to 32 telephone line connections.
Telephone line card	D6641	Functions like the D6640. Includes improved Public Switched Telephone Network (PSTN) processing, additional memory for future enhancements such as VoIP Compensation, and single firmware upgrade package.

CPU card	D6610	The D6600 uses one CPU card. The CPU card takes the incoming information from the line card and routes the information to an automation port, the LCD on the front of the receiver, and an external printer.
Power supply modules	D6630 and D6631	The power supply modules regulate the power used by the D6600. These are not field serviceable.
Telephone line terminator card	D6645	Located behind the line card, the telephone line terminator card isolates and protects the line card against outside voltage surges that might come over the telephone line. Each line card must have a line terminator card.
CPU terminator card	D6615	Located behind the CPU card, the CPU terminator card provides the D6600 with two serial ports (COM3 and COM4), a parallel port (parallel printer), and a general I/O port (I/O). The serial ports can be used for computer automation, PC connection for programming, or a network connection with a Network Ethernet Module (see specific installation guide supplied with your product).

Table 5.3: D6600 Line Cards and Modules

5.3 D6600 Rear View

The D6600 has input and output pin connector sockets for up to eight line cards, network option (if installed), and one CPU card. It also has slots for connecting these cards to their corresponding terminator cards.

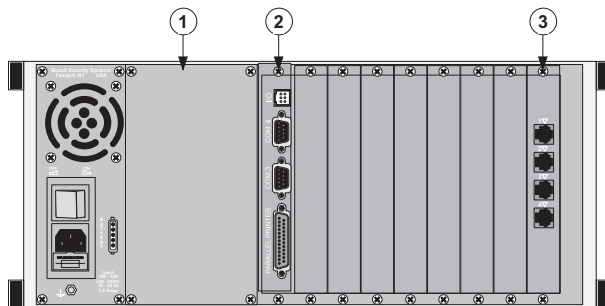


Figure 5.2: D6600 Communications Receiver/Gateway (Rear View)

Callout — Description
1 — Blank plate and location of optional Conettix D6672 COM1 Expansion Kit
2 — Conettix D6615 CPU Terminator Card

3 — Card slot covers
4 — Conettix D6645 Line Terminator Card

5.3.1 D6600 Internal View

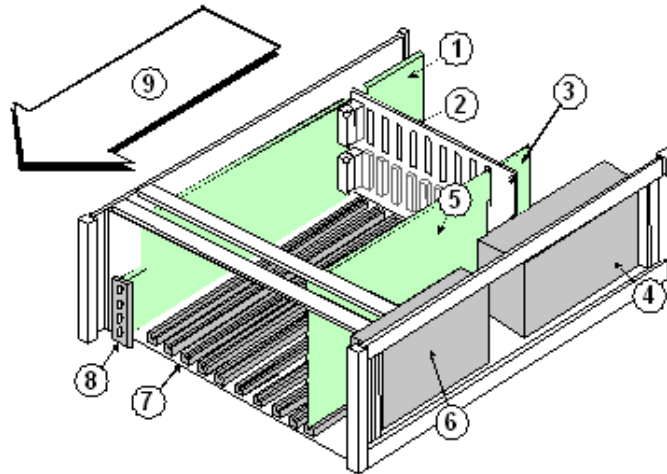


Figure 5.3: Receiver Card Placement

Callout — Description
1 — Conettix D6645 Telephone Line Terminator Card
2 — Backplane
3 — Conettix D6615 CPU Terminator Card
4 — D6630 AC/DC Power Supply (not serviceable)
5 — Conettix D6610 CPU Card
6 — D6631 AC/DC Power Supply (not serviceable)
7 — Card guides
8 — Conettix D6640/D6641 Telephone Line Card
9 — Direction of receiver front

5.4 D6100IPv6 Front Panel

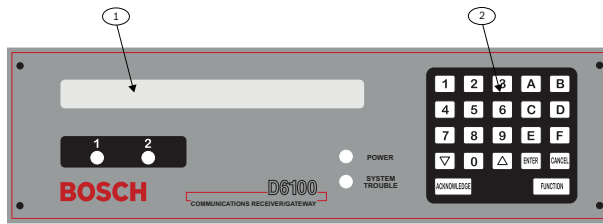


Figure 5.4: D6100IPv6 Communications Receiver/Gateway (Front View)

Callout	Description
1	Liquid crystal display (LCD) - Displays up to 80 characters of information (two lines of up to 40 characters each).
2	23-button keypad.

5.5 D6100IPv6 Rear View

Line Cards and Modules

The D6100IPv6 does not use the same line cards and modules as the D6600. These functions are built in.

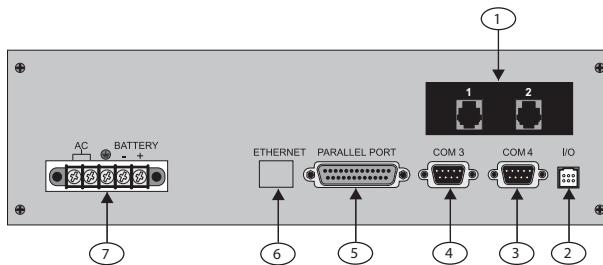


Figure 5.5: D6100IPv6 Communications Receiver/Gateway (Rear View)

Callout	Description
1	Telephone line connections
2	Input/output ports
3	COM RS-232 port
4	COM3 auxiliary RS-232 port
5	Parallel port connection
6	Ethernet port (D6100IPv6 only)
7	USB port
8	Power connection terminal block

6 D6600 Specific Cards

6.1 D6640/D6641 Line Cards and D6645 Line Terminator Cards



Notice!

Starting with D6200 v2.0 the D6640 Line Card is no longer be supported. Information about the D6640 is provided in this section for legacy support only.

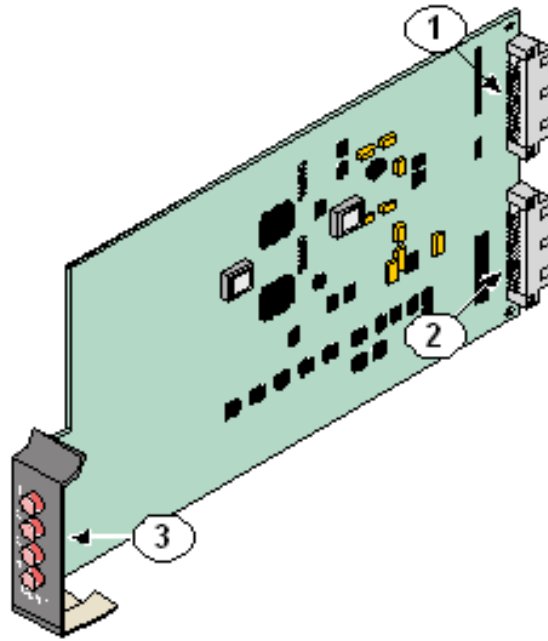


Figure 6.1: D6640/D6641 Line Card

Callout	Description
1	48-pin connection to D6645 Line Termination Card
2	40-pin connection to D6600 Back Plate
3	LEDs (Refer to <i>D6640/D6641 LED Descriptions</i> , page 20)

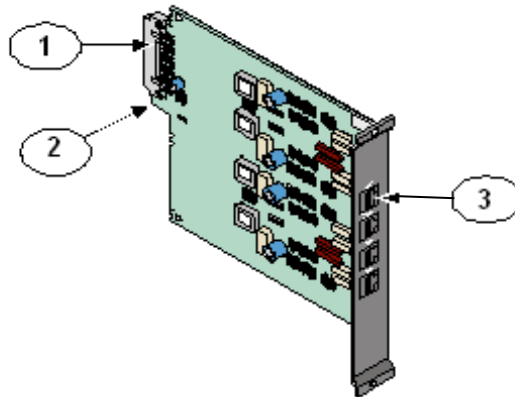


Figure 6.2: D6645 Line Terminator Card

Callout — Description
1 — 48-pin connection to D6640/D6641 Line Card.
2 — Alignment Guide - Stabilizes the connection and acts as a guide for connecting the terminator card to the line card.
3 — Telco Line Jacks - Standard telephone lines connect to the RJ11C jacks.

6.1.1

D6640/D6641 LED Descriptions

Each LED represents a line. For example, LED 1 is for line 1. The LED is active until the system acknowledges the entire transmission and the telephone line is ready to receive signals. The following table describes LED patterns and colors, and their indications.



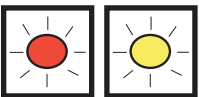

Flash Pattern (Color)	Function
Flashes (green) 	An incoming call is ringing.
ON Steady (green) 	The receiver is online.
ON Steady (red or yellow) 	The line card detects a line fault condition.
OFF 	The line card is ready to receive signals, or is disabled.

Table 6.1: LED Descriptions

6.2 Card Installation



Warning!

Discharge static electricity from your body by touching the receiver's internal frame (unpainted section) before handling any circuit card.

Installing Terminator Cards

Refer to *D6640/D6641 Line Cards and D6645 Line Terminator Cards*, page 19 when performing the following steps:

1. Remove the two bracket screws that secure the terminator card (or card slot cover, if this is a new terminator card installation) to the back of the D6600 chassis.
2. If you are removing an existing terminator card, open the display door on the front of the D6600 and pull the line card slightly out, then re-insert. This will push the existing terminator card out the back of the D6600 chassis.
3. Remove the existing terminator card. Insert the new terminator card in the same slot by aligning the top and bottom of the terminator card with the card guides in the D6600 chassis.
4. Slide the card into the D6600 chassis, wiggling the card as you push until the card is flush with the back of the chassis.
5. Secure the bracket screws at the top and bottom of the terminator card. Ensure that the screws are tight.
6. Repeat this process for all additional terminator cards.
7. Connect appropriate telephone line cords to the telephone line jack on the terminator cards.
8. Continue to *Installing Line Cards*, page 22.



Notice!

Even if you are replacing an existing terminator card, you must proceed to *Installing Line Cards*.

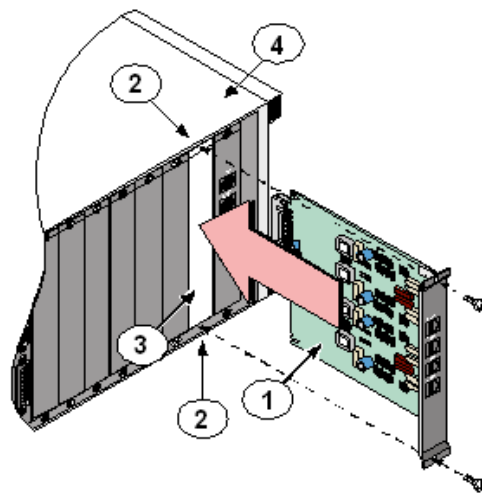


Figure 6.3: Removing and Installing the Terminator Card

Callout	Description
1	Terminator Card (D6645 shown)

2 — Bracket screws (top and bottom)

3 — Empty slot

4 — D6600 chassis

Installing Line Cards

1. Install the terminator card(s) (Refer to *Installing Terminator Cards*, page 21).
2. Open the display door on the D6600. One telephone line card is installed in the D6600 when the unit is shipped from the factory.
3. Insert the new line card into the slot by aligning the top and bottom of the line card with the card guides in the D6600 chassis. Firmly push the card to make sure it is fully connected.
4. If you are installing a new telephone line card, remove the appropriate snap-in covers from the front of the panel.
5. Close the front panel.
6. Program the line card if necessary.
When the line card is initialized (as indicated by a printer report), the settings in the line card programming section automatically load into the card.
7. Connect communication lines to the line card.

D6640/D6641 Telephone Line Monitoring

Each line on the line card continuously monitors the telephone line voltage whether on-hook or off-hook. If the voltage on a line falls below 1.8 VDC a Line Trouble indication is generated and when it rises above 2.5 VDC it generates a restoral for this line.

6.3

D6610 CPU Card and D6615 CPU Terminator Card

The CPU card connects to the user interface on the front of the D6600 using a 50-pin ribbon cable socket.

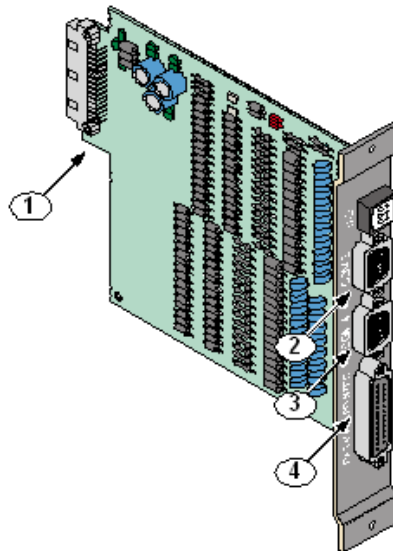


Figure 6.4: D6615 CPU Terminator Card

Callout — Description
1 — Alignment Guide - Stabilizes the connection and acts as a guide for connecting the terminator card to the CPU card.

2 — COM3 Automation Computer Port - An auxiliary RS-232 port for connecting to a computer terminal or an automation computer. For SIA/6500 Mode Automation Format reporting, use a null-modem cable to connect to a computer.

3 — COM4 RS-232 Port - Connection to a computer running the D6200 programming software.*

4 — Parallel Printer Port.

* Use a null-modem cable to connect directly to the computer. You can also connect this port to a Network Ethernet Module for communicating over a network.

6.4 Card Removal and Replacement



Warning!

Remove power to the D6600 before removing, replacing, or installing the CPU card (D6610) or CPU terminator card (D6615).

Removing the CPU Card

1. Remove power to the receiver (refer to *Removing Power to the Receiver, page 26*).
2. Carefully grasp the plastic grip on the CPU card. Slide it 2 in to 3 in (50 mm to 75 mm) out of the enclosure.
3. Unplug the 50-pin ribbon cable connecting the user interface card to the CPU card. Be careful not to bend the board when disconnecting this cable. Grasp the plastic plug connected to the CPU board at the end of the cable and gently pull it away from the circuit board.
4. Pull the CPU card straight out of the card guide.

Replacing the CPU Card

1. Remove power to the receiver (refer to *Removing Power to the Receiver, page 26*).
2. Remove the defective CPU card from the enclosure.
3. Align the top and bottom of the CPU card with the card guides. Slide the card into the enclosure, leaving 2 to 3 in (50 mm to 75 mm) out to connect the ribbon cable.
4. Connect the ribbon cable to the CPU card. Orient the cable so the red stripe is up, and slide the card the remaining distance into the enclosure.
5. Restore power to the receiver.

7 Printer Specifications

**Notice!**

Refer to the appropriate Installation Supplement included with your product for the specifics of your particular installation.

Use the DB25 port on the back of the D6600/D6100IPv6 rear panel to connect to a standard parallel text printer.

8 Installation



Notice!

Refer to the appropriate *Installation Supplement* included with your product for the specifics of your particular installation.

8.1 Installation Check List

- Check each receiver card to see that it is correctly positioned in the card guides at the top and bottom of the enclosure. Also confirm that connections did not loosen during shipment (D6600 only).
- Check each receiver card to see that it is correctly positioned in the card guides at the top and bottom of the enclosure. Also confirm that connections did not loosen during shipment (D6600 only).
- Ensure that the earth ground is connected and grounded through the AC inlet.
- If you are installing additional line cards, install the terminator cards now (D6600 only).
- After installing additional line terminator cards, install the line cards (refer to *Card Installation, page 21*).
- Install the line terminator card(s) from your spares package(s). If there is a malfunction, you can quickly switch over to the replacement card (refer to *Card Installation, page 21*).



Notice!

You can install spare line terminator cards. Do not install spare line cards.

- Connect four or six conductor telephone cord(s) to the RJ11C jack(s) of the desired telephone line(s). Plug the other end of the modular telephone cord(s) into the telephone jack on the appropriate line terminator card(s).
- Connect the supplied AC transformer wiring leads to the AC terminals on the rear of the D6100IPv6.
- Plug the AC cord (D6600 only) into a correctly wired 120 VAC, 60 Hz or 220 VAC, 50 Hz outlet (standard AC outlet).



Notice!

Maintain a 6.5 mm (0.25 in) gap, or greater, between power limited and non-power limited circuit wiring.

- Plug the AC transformer into the correctly wired wall receptacle that matches the voltage of the transformer.

**Notice!**

Ensure that a switch does not control the outlet.



Turn the D6600 power switch on. The D6100IPv6 starts as soon as you plug in the AC Transformer.



Set the calendar and clock to the correct date and time and program the necessary options.



Ensure that the communication formats are correct by having communicators send test reports to each line connected to the receiver.

8.2

Rack Mount Instructions

Refer to the specific installation guide supplied with your product.

8.3

Removing Power to the Receiver

1. Remove the battery power connection.
2. Turn off the AC power on the D6600 or unplug the D6100IPv6 AC transformer.
3. Unplug the AC cord from the outlet.

**Warning!**

Do not try to restart the D6600/D6100IPv6 with a fully discharged battery. Reconnect after you apply power. To prevent deep battery discharge, use a D135A Low Battery Cutoff Module. Refer to the *D135A Installation Guide* (P/N: 74-06499-000) for more information.

**Notice!**

If programmable Output 1 or 2 is activated by automation failure, you cannot clear Output 1 or 2 by pressing the **Acknowledge** key.

9 Power

9.1 Power Supply Modules

9.2 Main Power

D6600 Power Input

AC Nominal Operating Range	120 V or 230 V
AC maximum Operating Range	100 VAC to 120 VAC, 220 VAC to 240 VAC, 50–60 Hz 2.5 A maximum
Power Cord	IEC 60320 C13 type
Replaceable Fuse	2.5A F250V Fast blow 5x20mm

D6100IPv6 Power Input

AC Nominal Operating Range	18VAC (Refer to the specific <i>Installation Supplement</i> supplied with your product for your application for supplied transformer specifics)
----------------------------	--

9.3 Standby Power



Notice!

Review the Installation Supplement

Refer to the *Installation Supplement* included with your receiver/gateway for specifics of your particular installation.



Notice!

ULC-S559 Requirement

In ULC-S559 applications, D6600 and D6600IPv6 receivers shall be powered by the building's emergency AC supply system in accordance with ULC-S561 and the National Building Code of Canada, Article 3.2.7.8 (4).

During a loss of AC power, the receiver automatically switches to standby power. External batteries or an uninterruptible power supply (UPS) provides standby power. As long as there is adequate standby power, the receiver's operation is not interrupted, even if the power loss occurs during signal processing. When power supervision is enabled and a loss of AC power occurs, the primary reporting devices (such as printers and computers) show AC FAIL and the D6600/D6100IPv6 power indicator starts blinking. When AC power restores, the power indicator stops blinking and reporting devices show AC RESTORE.

9.4 Connecting External Batteries



Notice!

ULC-S559 Requirement

Do not connect external batteries in ULC-S559 applications.

**Notice!****Do not connect an external battery charger to the D6600/D610IPv6 or its battery**

There is a risk of explosion if the battery is replaced by an incorrect type. Dispose of used batteries according to the instructions.

Use the terminal on the rear panel to connect an external DC power source. During AC power outages, the external DC source supplies power to the receiver. Use a 12 VDC, 7 to 18 Ah lead-acid battery for external backup power.

Battery Voltage	Display during AC power outage	Display if no battery when AC power is restored
Above 11.5 V	Battery OK	
11.5 V to 10.2 V	Battery Low	
Below 10.2 V	Battery Bad	Battery Missing

Table 9.1: Battery Voltage Display

Device	Qty	12 V Battery Standby Current		UPS AC Standby Current	
D6600 (one D6640/ D6641/ D6645 Card)	1	800 mA	800 mA	350 mA	350 mA
Additional D6640/ D6641/ D6645 Cards		210 mA x Qty (2 to 7)		35 mA x Qty (2 to 7)	
Additional D6650/D6655 Cards		300 mA x Qty (1 to 8)		50 mA x Qty (1 to 8)	
D6672 COM1 Adapter		10 mA (if installed)		2 mA (if installed)	
Total Standby Current:				Total UPS Current:	

Table 9.2: Calculating Standby Current for the D6600

The standby current required for the D6600 depends on the number of optional cards installed in the receiver. Use the table above to calculate the D6600 standby current. The standby current required by the D6100IPv6 is listed in the table below.

12 V Battery Standby	UPS AC Standby Current
330 mA	250 mA

Table 9.3: Standby Current for the D6100IPv6**Notice!**

24-hour standby requires 18 Ah battery

To meet 24-hour standby requirements, connect an 18 Ah battery.

9.4.1 Minimum Standby Battery

The table below shows the maximum standby current for common rechargeable battery capacities at 4-hour, 8-hour, and 24-hour standby periods. If the standby current is larger than the value listed, you must use the next larger capacity battery.

Rechargeable Battery Capacity	Maximum Standby Current (mA)		
	4 hr	8 hr	24 hr
7 Ah	1400	700	230
8 Ah	1600	800	265
18 Ah	3600	1800	600
Includes 20% battery de-rating storage factor			



Notice!

24-hour standby requires 18 Ah battery
To meet 24-hour standby requirements, connect an 18 Ah battery.

9.4.2 Minimum Standby UPS Power

The minimum UPS power required (in watts) = Total UPS Current (from the Calculating Standby Current table) x 120 (voltage) x required hours of standby + 20% (storage).

9.4.3 Estimated BTU Load

The estimated BTU load for the system is calculated as follows: Total UPS Current (from the Calculating Standby Current table) x AC voltage x 3.4 = Estimated BTU load

10 Input and Output Ports

10.1 Overview of Input and Output Ports



Notice!

Refer to the appropriate Installation Supplement included with your product for the specifics of your particular installation.

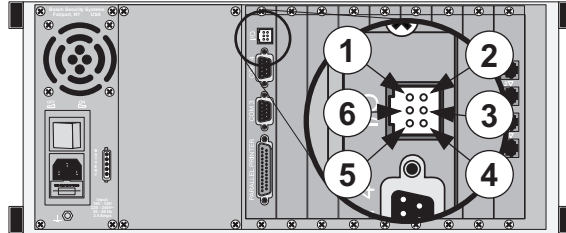


Figure 10.1: D6600 Back Panel Showing Input/Output Ports

Callout — Description	Callout — Description
1 — Input 1	4 — Ground 2
2 — Input 2	5 — Ground 1
3 — Output 2	6 — Output 1

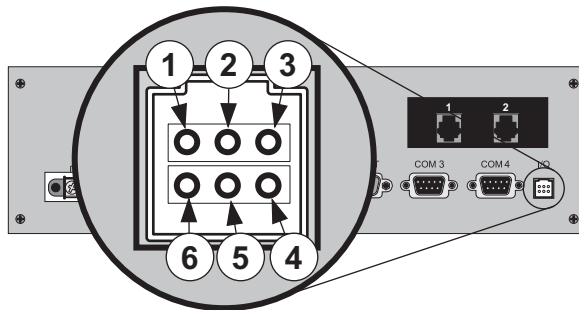


Figure 10.2: D6100IPv6 Back Panel Showing Input/Output Ports

Callout — Description	Callout — Description
1 — Ground 2	4 — Output 1
2 — Input 2	5 — Input 1
3 — Output 2	6 — Ground 1

10.1.1 UPS Monitoring through CPU Programmable Input Ports

Use the CPU programmable input port to connect the external UPS to the D6600/D6100IPv6 for power monitoring. Connect the monitoring port from the UPS to matching pins on the D6600/D6100IPv6 CPU Programmable Input/Output port, refer to *Overview of Input and Output*

Ports, page 30. Set up the D6600/D6100IPv6 from **Menu 2.2.27 CPU Programmable Input 1** for Input 1; **Menu 2.2.28 CPU Programmable Input 2** for Input 2. Refer to the *D6600/D6100IPv6 Program Entry Guide* (P/N: 4998122702) for more information.

Input Default Connection Configuration

- The I/O ports work with dry contact outputs.
- The open circuit input voltage on the input measures between 9 V and 12 V.
- UPS Battery OK (restore) – contacts closed
- UPS Battery Low input – contacts open

You can apply other output sources to the input wiring as long as you follow these guidelines:

- The maximum input voltage allowed without causing damage to the input is 24 VDC.
- For UPS “Battery OK” (restore), the input range must be between 0 V and 1 V.
- For UPS “Battery Low,” the input range must be between 3 V and 24 V.



Notice!

The programmable input voltage range is undefined for input voltages between 1 V and 3 V. This might cause unexpected results such as toggling between “Battery Low” and “Battery OK.” The input should be connected to logic level outputs.

Input Reverse Connection Configuration

If the input must be the opposite polarity for correct operation, place an external transistor circuit between the UPS output signal and the D6600 I/O.

Follow these guidelines for correct operation:

- The maximum input voltage allowed without damaging the input is 24 V.
- UPS Battery OK (restore) input range from the UPS operates between 5 V and 24 V.
- UPS Battery Low input range operates between 0 V and 0.5 V.

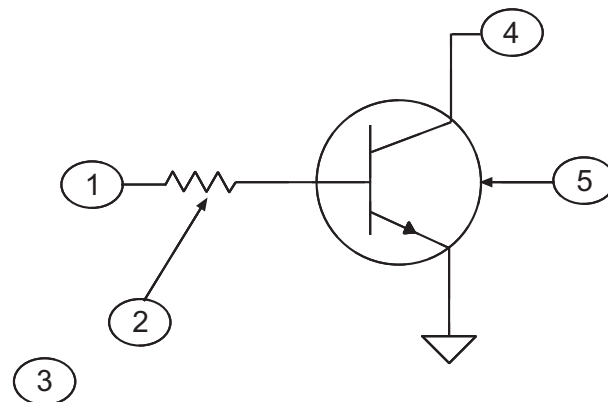


Figure 10.3: Input Wiring for Reverse Configuration

Callout	Description
1	From UPS Battery OK signal 5 to 24
2	22 k to 39 k
3	Battery Low signal 0 to 0.6 V
4	To I/O input
5	Any general purpose NPN transistor

**Warning!**

Operating the input as an analog input between 0.5 V and 5 V might cause abnormal results. This input state is not defined and might change expected results.

**Notice!**

Reverse configuration is not for use in UL Listed applications.

10.1.2**Automation Link Monitoring (COM3) through CPU Programmable Output Ports**

The output connections on the I/O port have an open collector transistor output that can activate an external sounder or light if the automation system fails.

**Notice!**

Configure external devices using the specifications listed in the table below. Outputs are not verified by UL.

Radionics D6615 CPU Terminator Card	Bosch D6615 CPU Terminator C
Solid state output provides a current sink to common (-)	Solid State output provides a current sink to common (-)
Maximum load is 20 mA	Maximum load is 75 mA
Vsat @ 1 mA = 0.5 VDC	Vsat @ 10 mA = 0.5 VDC
Vsat @ 10 mA = 3.0 VDC	Vsat @ 25 mA = 1.0 VDC
Maximum voltage = 30 VDC	Vsat @ 50 mA = 2.5 VDC
	Maximum voltage = 30 VDC

Table 10.1: Terminator Card Configuration

11 D6600/D6100IPv6 Operation

11.1 Process Flow

11.1.1 Receiver Handshake and Kiss-Off

The telephone line dialed by the communicator connects to a line card in the D6600/D6100IPv6. The line card detects ringing voltage, answers the incoming call, and sends a programmed series of handshake tones. The communicator detects the expected handshake and transmits its message. The receiver sends the kiss-off after the receiver receives and understands the communicator's message.

Program the receiver for up to eight handshake attempts, using any combination of the available handshake tones.

With Handshake Optimization enabled, the D6600 can send the appropriate Handshake Tone (associated with the Caller ID number in the Caller ID database) to the control panel or a Dialed Number Identification Service (DNIS) database can be created to optimize the handshake outputs and other line card parameters.



Notice!

The D6600 can use only one database (DNIS or Caller ID) at a time. The D6100IPv6 does not have this feature.

11.1.2 Message Verification

The D6600/D6100IPv6 checks each message for errors. If the receiver receives the data correctly, it sends the kiss-off acknowledgment tone to the communicator. The communicator hangs up and returns the subscriber's telephone line to normal.

If the data is not correct, the receiver withholds the kiss-off tone and prints an error message refer to No Data Received Reports, causing the communicator to send the information again. If the receiver still does not receive the data correctly after the communicator's set number of retransmissions, the communicator hangs up. The communicator restarts the signal process and attempts to transmit another message. The communicator repeats this process until the receiver receives the kiss-off tone or until the maximum number of dialing attempts is depleted.

11.1.3 Handshake Tone Compatibility

When the D6600/D6100IPv6 answers an incoming line, it waits for a programmed time before transmitting the handshake tone(s).



Notice!

Some communicators wait approximately 30 sec for the proper handshake tone. Others hang up immediately if they hear an improper handshake tone. Others have a very short handshake wait time.

To eliminate waiting through a sequence of handshake tones, program the line card so that the first handshake tone transmitted is compatible with existing equipment.

The D6600/D6100IPv6 can receive incoming signals while transmitting handshakes.

11.1.4 Message is Received

The receiver can process messages from all available telephone lines simultaneously. The messages print and appear one by one, as the previous message clears from the display. Many control panels can transmit multiple messages in the same telephone call. Program the receiver to print all multiple message transmissions as a group, or print each message on arrival. Refer to *Report Grouping* in the *D6600/D6100IPv6 Program Entry Guide* (P/N: 4998122702) for more information.



Notice!

If DNIS is being utilized, then 2.2.24 Report Grouping must be set to 0 (D6600 only).

As the receiver receives each message and checks the accuracy, it sends the kiss-off tone so that the communicator can hang up. This allows the receiver to process new incoming calls on the line. As reporting devices (such as printers and computers) become available to receive additional signals, the D6600/D6100IPv6 retrieves the stored messages from memory and sends the messages to the reporting devices.

11.1.5 How Call Groups Work

The D6600/D6100IPv6 allows each line to report and print as part of a call group. The receiver assigns telephone lines, which operate in rotary, to the same call group. A call group can include any combination of incoming lines, regardless of the physical location of the line card in the receiver or the geographical location of the accounts that report to the various lines in the group. When the receiver assigns a line to a call group, the group number (such as G01) can identify all reports on that line, with the exception of telephone line or line card trouble reports. If the receiver does not assign a line to a group, the line number (such as L01) identifies all reports. Refer to the *D6600/D6100IPv6 Program Entry Guide* (P/N: 4998122702) for more details on call groups.

11.1.6 Buzzer Operation

In the Manual Mode, an Operator Alert Buzzer sounds when a message is received until you press the Acknowledge key. The buzzer operation is programmable and can be disabled when the receiver is programmed for the Automatic Mode.

11.1.7 Reporting Devices: Primary and Secondary

A reporting device is any device that can print or display messages from the D6600/D6100IPv6. This includes the central station automation computer or an external printer. You can enable the external printer and designate it as the primary or secondary device. The automation computer is always a primary device unless disabled. Primary reporting devices receive all reports generated by the D6600/D6100IPv6. Secondary reporting devices receive input from the D6600/D6100IPv6 only when all primary devices fail.



Notice!

UL 1981 allows the receiver to suppress printing during normal automation system operation if the printer starts printing upon automation system failure.

If the receiver is in the Automatic Mode and all of the primary reporting devices (such as printers and computers) fail, the receiver re-routes the messages to the secondary reporting device(s). If you program the receiver for no secondary reporting devices or if all secondary reporting devices fail, the D6600/D6100IPv6 automatically switches to Manual Mode. When the receiver restores automation to normal operation, the D6600/D6100IPv6 returns to the Automatic Mode after the user manually acknowledges the last buffered signal.

11.2 Normal Operation Mode

In Normal Operation Mode, the D6600/D6100IPv6 sends messages immediately or in blocks to reporting devices (such as printers and computers) as soon as the devices are ready to receive the information. Signals do not remain visible in the display. If all reporting devices fail, the D6600/D6100IPv6 reverts to Manual Mode until a device returns to service. Normally, the D6600/D6100IPv6 sounds the Operator Alert Buzzer for new events received when the automation link fails.

Typical Alarm Receiving Sequence

1. An alarm occurs on Zone 3 at subscriber location 456. The user programs Account 456 to report to Line 01 and does not assign Line 01 to report to a call group.
2. The OL LED glows green when the receiver answers the call and receives data. The primary reporting device (such as an external printer or automation computer) activates. If the external printer is a primary reporting device and Line 01 is not assigned to Group Reporting, it prints.

```
11/11 14:10 G01 ACCT 456 ALARM ZN 3
```

3. If Line 01 is assigned to group 1 Reporting, the receiver's external printer prints:

```
11/11 14:10 G01 ACCT 456 ALARM ZN 3
```

4. Line 01 hangs up.

11.3 Operating in Manual Mode

If all reporting devices (such as printers and computers) fail, the D6600/D6100IPv6 reverts to Manual Mode until a device returns to service.

D6600/D6100IPv6

The D6600/D6100IPv6 receives signals while in Manual Mode. The Operator Alert buzzer sounds.

1. Press the **Acknowledge** button to shut off the operator alert buzzer.
Shuts off the operator alert buzzer
Compare the display to the printout to confirm you read the data correctly.
(For each alarm event, press the **Acknowledge** button twice; once to acknowledge the alarm and once to print the event. As you step through this process, the event number will diminish.)

```
Pending Alarms 2
```

2. Press the **Acknowledge** button to send the message to a connected printer.

```
01/01 14:10 L00 SYSTEM RESET
```

3. Press the **Acknowledge** button.
Sends the message to a connected printer.
4. **Press the Acknowledge** button.



5. Press the **Acknowledge** button.
Sends the message to a connected printer.
6. Press the **Acknowledge** button.



7. Press the **Acknowledge** button.
8. Repeat until the reporting device(s) record(s) all outstanding messages and the display clears.

11.4 Keypad Menu Operation

11.4.1 Log In

D6600/D6100IPv6

1. Press the **Enter** button.
2. Enter your password.



Notice!

D6600 default password: 6600
D6100IPv6 default password: 6100



Notice!

The System Trouble LED flashes ON and OFF to indicate that you entered the programming mode. The System Trouble LED continues flashing until you exit the programming mode.

3. Press the **Enter** button to accept the password and enter the menu.

11.4.2 Using the Keypad

- Press the **Up** or **Down** arrow button to scroll up or down to the appropriate menu.
- Press the **Enter** button to enter a menu.
- Continue making changes to options until all changes are complete.
- Press the **Enter** button to accept the changes.
The changes take affect upon exiting the menu.



Notice!

Press the **Cancel** button to cancel the change and return to the previous menu.

11.4.3 Event Buffer Display

- Press the **Up** or **Down** arrow button to show event buffer contents in the order the events are received.
- Press the **Enter** button to view the remaining lines of each message.
- Press the **Up** or **Down** arrow button to continue to browse the events in the buffer.
- Press the **Cancel** button to exit this menu.

11.4.4 Current System Trouble Display

The system trouble light displays when there are system troubles in the buffer.

In the EVENT DATABASE:

1. Press the **Enter** button to go to the **Display Sort by Time/Date** screen.
2. Press the **Down** button to go to the **Display Current System Troubles** screen.
3. Press the **Enter** button to go to the **Current System Trouble** screen.
4. Use the **Up** and **Down** buttons to browse the system troubles in the buffer.
Press the **Cancel** button to exit this menu.

As you correct system troubles, the receiver removes them from this list. The system trouble light is no longer illuminated. Refer to *Troubleshooting Guide, page 77* for more information.

11.4.5 Software Version Display

The software version display indicated the current software versions of the CPU and each line card.

11.4.6 Keypad Functions

Use keypad functions to quickly and easily access certain features and run commands, or functions, from the keypad.

Accessing functions:

1. Press the **Function** key.
2. Enter your password.



Notice!

D6600 default password: 6600

D6100IPv6 default password: 6100

3. Press the **Enter** key to go to the Welcome Manager.
4. Press the number key for the function you wish to run. For example, press the [1] key.
5. Press the **Enter** key. The function runs.

Communication Links Test (Function 1)

Use this function to test the communication links to the automation firmware and printer.

Running the Communication Links Test function:

1. Press the **Function** key.
2. Enter your password and press the **Enter** key to go to the Welcome Manager.
3. Press [1] and **Enter**.

Communication Links Test Outputs	
Printer	DD/DDsTT:TTsL08sACCTs888sss [TEST]s2Nsss8
Automation	6500 Mode h1rr8sssssss888s[sss8t SIA Mode <header>[NVX]

Skip Current Automation Event (Function 2)

Use this option to skip the current Automation event.

Running the Skip Current Automation function:

1. Press the **Function** key. Enter your password and press the **Enter** key to go to the Welcome Manager.
2. Press [2] and **Enter**.

Line Test (Function 3)

Use this option to test the line operation.

Running the Line Test function:

1. Press the **Function** key. Enter your password and press the **Enter** key to go to the Welcome Manager.
2. Press [3] and **Enter**.
3. Press the number key for the line you wish to test. The line disconnects, the receiver sends the handshakes, and the line reconnects.

Clear Pending Events (Function 4)

Use this option to clear all pending events.

Running the Clear Pending Events function:

1. Press the **Function** key. Enter your password and press the **Enter** key to go to the Welcome Manager.
2. Press [4] and **Enter**.
3. Press [0] to cancel the function and not delete all pending events, or press [1] to clear all pending events.

LCD/LED Availability Test (Function 5)

Use this option to clear all pending events.

Running the LCD/LED Availability Test function:

1. Press the **Function** key. Enter your password and press the **Enter** key to go to the Welcome Manager.
2. Press [6] and **Enter**.

The LCD changes all segments to black for 2 sec so that you can check for nonfunctioning LCD segments. All D6641 Line Cards turn the line LEDs on red for 2 sec and then green for 2 sec. The Power and System trouble LEDs turn on for 2 sec, then off. After the test completes, the system restores the LEDs to their previous state.

11.5

Busy Seconds (Line Busy) Reports

The D6600/D6100IPv6 monitors and reports when a call group of receiver lines cannot receive signals. The receiver cannot process signals if its incoming telephone lines are in trouble, if other communicators have the line tied up, or if the line card is inoperative. The receiver interprets telephone lines that are not in trouble and taking calls as busy time. Telephone lines that are in trouble are not included in the busy time calculation.

The amount of busy time accumulated during a 10 min period is the basis for a Busy Seconds Reports. The 10 min busy period begins when all lines in a call group become busy, or when a non-programmed single line for a call group becomes busy. The D6600/D6100IPv6 totals the accumulated busy time and prints the Busy Seconds Report after the 10 min period ends. After at least 60 sec (10%) of busy time, the receiver generates a report. The D6600/D6100IPv6 reports up to 100% busy time.

Program the Busy Seconds Reports option to No if Busy Seconds Reports are not wanted for all lines. Setting the Line Sniff option to 2 disables reports for individual lines.



Notice!

Enable Seconds Reports for UL Listed central stations.

UL inspectors might investigate the amount of time the digital receiver lines cannot receive signals. Ensure that lines are available to process emergency signals on a timely basis. Excessive Line Busy Reports can indicate it is necessary to install additional lines in rotary with your primary receiver lines.

Assign each line to a call group. For the group to start accumulating busy time, all lines in the call group must be online, in trouble, or without an operating line card.

**Notice!**

Although it is not mandatory, not assigning a line to a call group, or when there is only one line in the group, 1 min of busy time during a 10 min period results in a Busy Seconds Report.

If you do not assign a line to a call group, displays and printer reports identify the line number instead of the Group number. A Line Busy Report shows and prints:

```
11/11 06:20 L01 BUSY SECONDS 23% RCUR01
```

11.6

Two-Way Audio

When using the D6600/D6100IPv6 for Two-Way Audio (TWA) verification, use the Flash or Hold option according to the central station Private Branch Exchange (PBX) system, taking the D6600/D6100IPv6 off line for a short period. If a PBX is not used, connect a regular telephone in parallel with the incoming telephone line. When the D6600/D6100IPv6 is in Two-Way Audio Mode, the operator can pick up the telephone and undertake the two way audio operation. Return the telephone to the receiver after the two-way audio operation finishes.

**Notice!**

D6600 Two-Way Audio (TWA) verification is fully supported using the D6641 line card. The D6640 does not support option 3.1.4.21 Audio Event, 3.1.4.22 Audio Zone, or protocol specific audio events used in SIA and Contact ID.

**Notice!**

D6100IPv6 Two-Way Audio was not investigated by UL.

The D6600/D6100IPv6 verifies the first digit of the account code range 0 to F programmed in the Account Digits option for the following communication formats:

- Pulse (3 or 4 digit account code)
- DTMF
- BFSK
- Modem II/IIIa²/4
- SIA

If the received account code is two-way audio enabled, the line card goes into Two-way Audio Mode. Programming a non-zero number in the Two Way Audio Duration option affects all formats, and the control panels cannot control the two-way audio duration over the D6600/D6100IPv6.

If the qualifying criteria apply, the D6600/D6100IPv6 sends a signal to the automation firmware indicating the physical line is in Two-Way Audio Mode. The line remains off-hook for the time programmed in minutes in the Two-Way Audio Duration option.

-or-

When the flash option is set for 1 to 20 (100 ms to 2 sec), the CPU first sends the two-way audio signal to automation firmware. Then the line is flashed (quickly disconnected and reconnected) for the programmed flash duration. It remains off-hook for another 5 sec then hangs up.

-or-

When the Hold option is set for 1 to 99 sec, the line card remains off-hook for the programmed hold after sending the audio event signal to the automation firmware, allowing the firmware controlled PBX to pick up the line. Then it hangs up.

11.6.1

Enhancements and Changes

- Setting TWA by the selected Alarm Code allows one or multiple Alarm Codes to be selected. TWA works with 10 to 40 baud Pulse formats, DTMF 4/1, 4/2, 4/3 and Contact ID formats
- Setting TWA by the selected zone number allows the selection of one or multiple zone numbers. TWA works with 10 to 40 baud formats and DTMF 4/1, 4/2 and 4/3 formats. The zone number is the last digit of events that activates the TWA function
- TWA by combined conditions includes the account number, alarm code, and zone number.
- Supports TWA auto-entered by more events and in various protocols, including Contact ID Event Code 606, and SIA control blocks.

When the line card is in Two-Way Audio Mode, it goes on-hook only when the operator presses **Cancel**, or the automation firmware issues a Stop Listening Command **!Knn<CR>**, where **nn** is the physical line number.



Notice!

The maximum online time during two audio sessions is disabled.
The line card's listen-in duration settings override the control panel's listen-in duration settings

When pressing **Cancel** during the two-way audio session, the receiver prompts the operator to enter the line number for stopping the two-way audio. Ensure that the D6600/D6100IPv6 is not in Menu Mode during this operation.

The OL/LF LED flashes green during the audio session.

The D6600/D6100IPv6 prints the audio status on the printer with the physical line number and sends the audio status to the automation firmware with the physical line number.

The D6600/D6100IPv6 decodes the first digit of the account number to determine when to start two-way audio operation. If the first digit of the account number matches the selection, two-way audio activates.

11.6.2

Two-Way Auto Modes of Operation

- **Transfer.** D6600/D6100IPv6 transfers the incoming line to another line; a flash operation occurs at the end of the alarm signal. The receiver dials the line programmed at Transfer Phone Number. (Refer to *Menu Items 3.1.4.18 Flash [x 100ms]* and *3.1.4.19 Transfer Phone Number in the D6600/D6100IPv6 Program Entry Guide* (P/N: 4998122702)).
- **Hold.** The D6600/D6100IPv6 remains off-hook as programmed so another device can take over the line before hold time expires. (Refer to *Menu Item 3.1.4.20 Hold in the D6600/D6100IPv6 Program Entry Guide* (P/N: 4998122702)).

- **Duration.** The D6600/D6100IPv6 remains off-hook as programmed or until terminated by a Stop command. Connect a regular telephone in parallel with the incoming telephone line. (Refer to Menu Item 3.1.4.1 Duration in the D6600/D6100IPv6 Program Entry Guide (P/N: (4998122702))).



Notice!

The D6600/D6100IPv6 can perform only one of these operations at a time. If there is more than one, the sequence is Transfer, Hold, and Duration.

12 Network Communications

**Notice!**

References to the Network Ethernet Module model number are defined in the *Installation Supplement*.

Refer to the appropriate Installation Supplement included with your product for the specifics of your particular installation.

The Conettix D6600 and D6100IPv6 Communications Receiver/Gateway systems support data network communications. This allows the receiver to connect to Ethernet networks, and process messages to and from most networks in user datagram protocol (UDP) or internet protocol (IP). Use a COM4 or a COM1 connection from the D6600 to connect the Network Ethernet Module to the network. The D6100IPv6 has a built-in Ethernet module that can connect directly to the network. This section includes configuration setup instructions. Central station automation software, through a local-area network (LAN) or wide-area network (WAN), receives reports from alarm control panels from the PSTN or other data networks. The automation software also monitors the control panel status and connection over the network. Update or upgrade the receiver through the network connection. Use the D6200 software for remote programming of the receiver. Refer to the following documents about network communications and their installation requirements.

- *Conettix D6600/D6100IPv6 Network System Guide* (P/N: 4998122712)
- *Conettix GPRS/GSM IP Communicator (ITS-DX4020-G) Installation and Operation Guide* (P/N: F01U133268)
- *Conettix Ethernet Network Adapter (ITS-D6682-INTL) Installation Guide* (P/N: F01U126778)
- *Conettix Ethernet Network Adapter (ITS-D6682-UL) Installation Guide* (P/N: F01U078049)
- *Conettix Ethernet Network Adapter (ITS-D6686-INTL) Installation Guide* (P/N: F01U274797)
- *Conettix Ethernet Network Adapter (ITS-D6686-UL) Installation Guide* (P/N: F01U274796)
- *Conettix Ethernet Communication Module (B426) Installation and Operation Guide* (P/N: F01U266226)
- *Conettix Ethernet Communication Module (B420) Installation and Operation Guide* (P/N: F01U215236)
- *D9133TTL-E Installation Guide* (P/N: 4998122717)
- *C900V2 Installation Guide* (P/N : F01U003472)
- *C900TTL-E Installation Guide* (P/N: 4998122718)
- *DX4020 Installation Guide* (P/N: F01U045288)
- *D6680 Ethernet Network Adapter Installation Guide* (P/N: 4998138732)
- *Device Installer Operation and Installation Guide* (P/N: 4998138688)

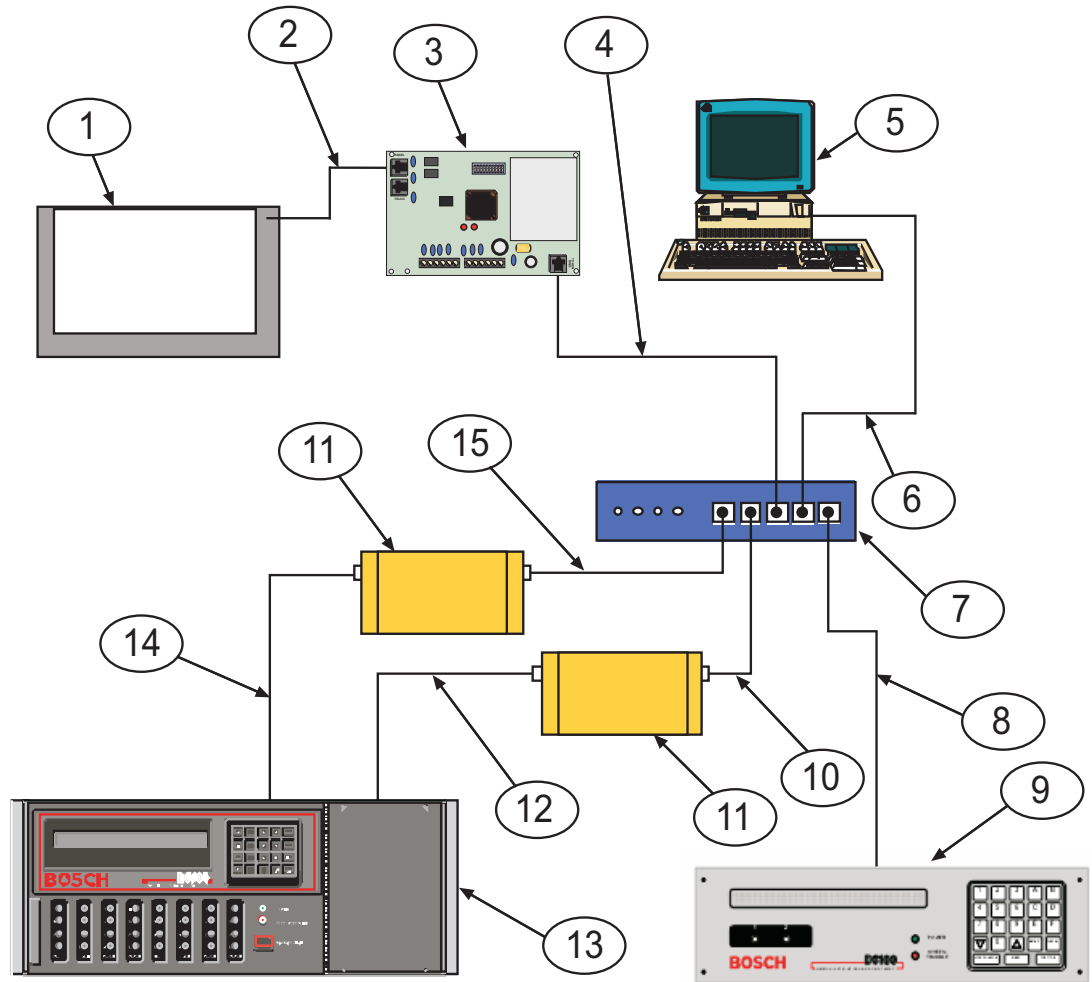


Figure 12.1: Conettix Network System Connection Diagram - C900TTL-E/C900V2 and Any Control Panel

Callout — Description	Callout — Description
1 — Any manufacturer’s control panel	9 — D6100IPv6
2 — Connection – control panel telco jack to C900TTL-E jack	10 — Connection – Ethernet hub to Network Ethernet Module
3 — C900TTL-E/C900V2 Dialer Capture Module	11 — Network Ethernet Module
4— Connection - C900TTL-E/C900V2 Ethernet jack to Ethernet hub	12 — Connection – Network Ethernet Module to D6600 COM4 port
5 — Host PC running D6200 Programming Administrative Software	13 —D6600
6 — Connection - Host PC network interface card (NIC) to Ethernet hub	14 — Connection – Second Network Ethernet Module to D6600 COM 1 port (optional)
7 — Ethernet hub	15 — Connection – Ethernet hub to second Network Ethernet Module
8 — Connection – Ethernet hub to D6100IPv6	

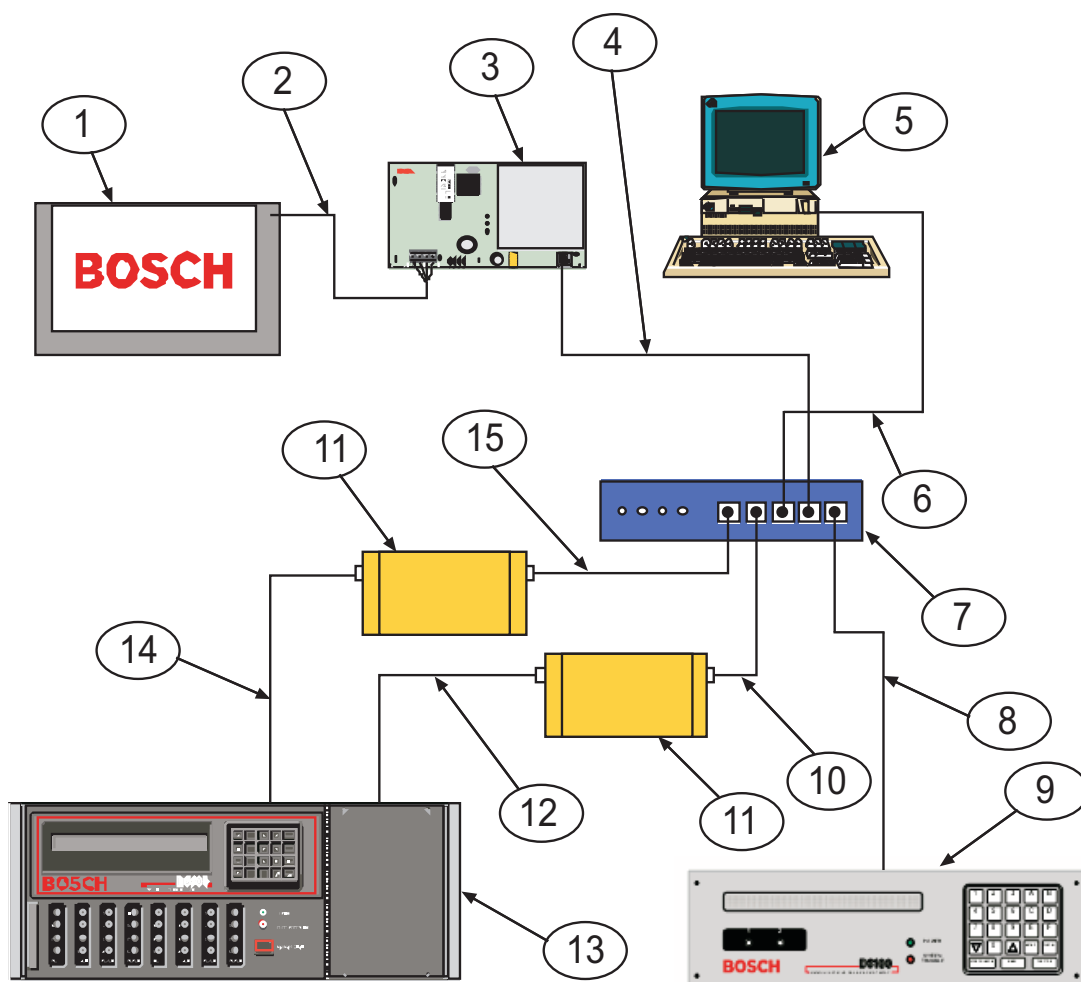
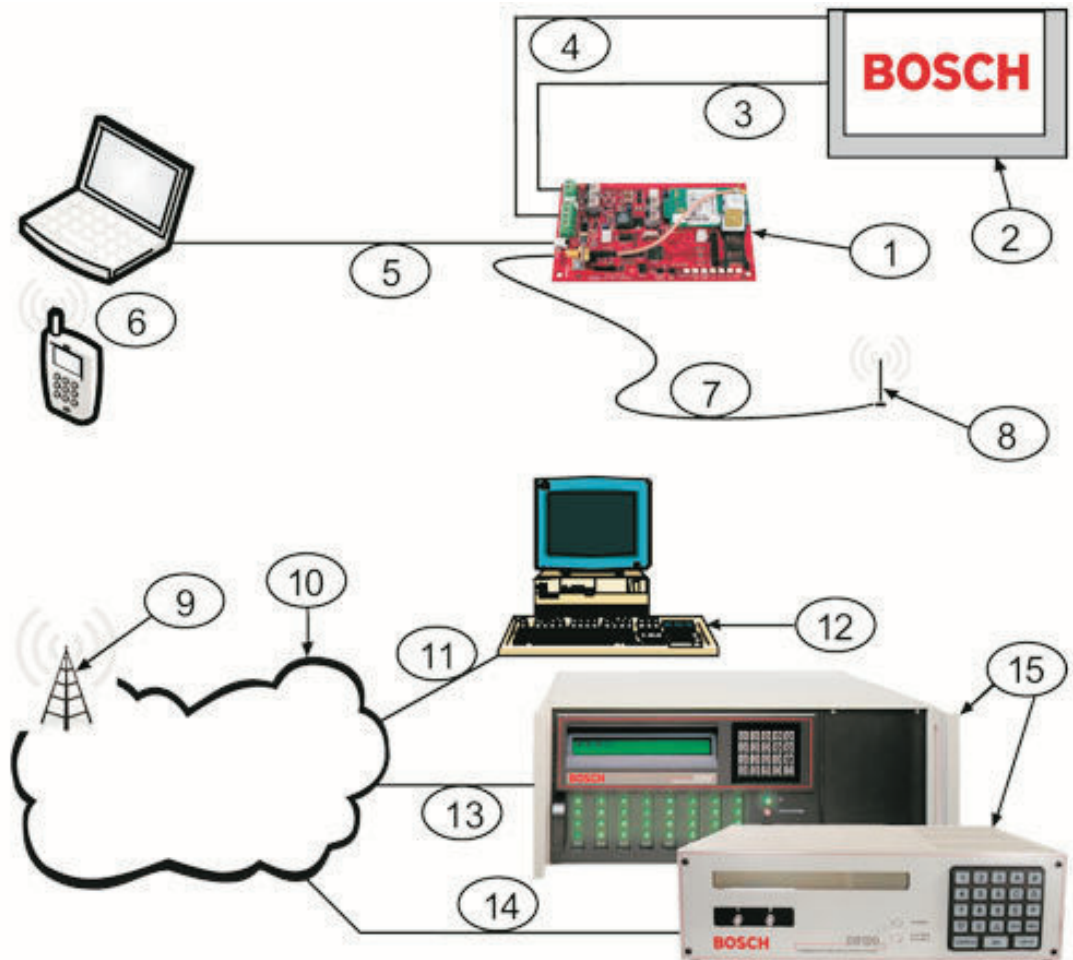


Figure 12.2: Conettix Network System Connection diagram – D9133TTL-E/DX4020 and Bosch Control Panels

Callout — Description	Callout — Description
1 — Bosch Control Panels	9 — D6100IPv6
2 — Connection – control panel serial device interface (SDI) bus to D9133TTL-E or DX4020 bus terminals	10 — Connection – Ethernet hub to Network Ethernet Module
3 — D9133TTL-E or DX4020 Network Interface Module	11 — Network Ethernet Module
4 — Connection – D9133TTL-E or DX4020 Ethernet port to Ethernet hub	12 — Connection – Network Ethernet Module to D6600 COM4 port
5 — Host PC running D6200 Programming Administrative Software	13 — D6600
6 — Connection – Ethernet hub to Host PC NIC	14 — Connection – second Network Ethernet Module to D6600 COM 1 port (optional)

Callout — Description	Callout — Description
7 — Ethernet hub	15 — Connection — Ethernet hub to second Network Ethernet Module
8 — Connection — Ethernet hub to D6100IPv6	



Conettix D6600/D6100IPv6 System Connection Diagram: ITS-DX4020-G and Bosch Security Systems, Inc. Control Panels.

Callout — Description	Callout — Description
1 — ITS-DX4020-G GPRS/GSM Communicator	9 — Base station on wireless carrier's network
2 — Compatible control panel	10 — Internet, WAN, Ethernet, or PSTN network
3 — Control panel dialer connection (optional)	11 — Remote PC's network connection
4 — Control panel bus and power connection	12 — Remote PC running remote programming software (RPS)
5 — USB Type A (host)-to-USB Mini B (device) Cable (not included)	13 — Ethernet connection

Callout — Description	Callout — Description
6 — Local PC or SMS-capable cell phone for configuration	14 — PSTN connection
7 — Antenna cable	15 — Conettix D6600 or Conettix D6100IPv6 Receiver
8 — Magnetic base antenna	

12.1

Conettix D6600/D6100IPv6 Pre-installation Requirements

Consider the following pre-installation requirements before attempting to install a Conettix D6600/D6100IPv6 Network system. If you have any questions regarding these items, contact the network administrator for the network with which you will interface, or a Bosch network engineer.



Notice!

For UL Listed Fire Installations, shared on-premises communications equipment is required to be UL Listed for Information Technology Equipment.

12.1.1

Setting Up the Conettix D6600/D6100IPv6 over an Ethernet Network

- The Ethernet network must use Ethernet cables.
- The D6200 host computer must have a properly configured Ethernet network interface card (NIC) installed.
- The D6600 must be connected to the Ethernet network using a Bosch D6686/D6682/D6680 Network Adapter or a D6100IPv6 must be connected to the Ethernet network.

12.1.2

Host Computer for Conettix D6600/D6100IPv6 System Setup

- The host computer uses the ARP and TELNET DOS commands to configure the D6680/D6682, D6100i or D6100IPv6, D9133TTL-E or DX4020, or C900V2/C900TTL-E. The D6200 software can be used instead of the ARP and TELNET commands. Refer to the *D6200 Software Operation and Installation Guide* (P/N: 4998154991) and the appropriate network device installation guide.
- The host computer uses the D6200 to configure the D6686 or the D6100IPv6.
- The host computer must have a properly configured Ethernet network interface card (NIC) installed.
- The host computer must have the appropriate Ethernet cable. Manually set the host computer's IP address to an address that is acceptable to the particular class of the network.

12.2

Operation

12.2.1

Setting Up the Host Computer



Notice!

If the computer you plan to use for programming the D6600, the D6100IPv6, the D6680/D6682, and the alarm panel network adapters is already a functioning workstation within the network you are planning to utilize, refer to *Network Failover Solution (D6600 Only)*, page 51.

The host computer is any computer or workstation that is connected to the network you will use to manage/administer the D6600/D6100IPv6 and other devices. Any existing laptop or desktop computer on the network can be used. However, for security reasons, it is best that the computer not be used as a regular workstation. This computer is also the computer on which you install the D6200 Software. The D6200 Software is used to program and administer the D6600/D6100IPv6 and other devices. Separate sections are provided for setting up the host computer in Windows 2000, XP, Vista, Windows 7, and Windows 8. If the host computer is running Windows XP, 2000, Vista, or Windows 7 and is new to the network, you must perform the following steps:



Notice!

Although the screen captures in this procedure are specific to Windows 2000, they are similar for Windows XP, Vista, and Windows 7.

Setting up the IP address:

1. Select **Start** → **Settings** → **Control Panel**.
2. When the control panel is open, find and double-click the **Network and Dial-up Connections** icon to launch the Network and Dial-up Connections control panel.
3. Double-click **Local Area connection**.
4. Right-click the icon and select **Properties**.
5. Scroll in the **Components checked are used by this connection:** list and select **Internet Protocol (TCP/IP)**.

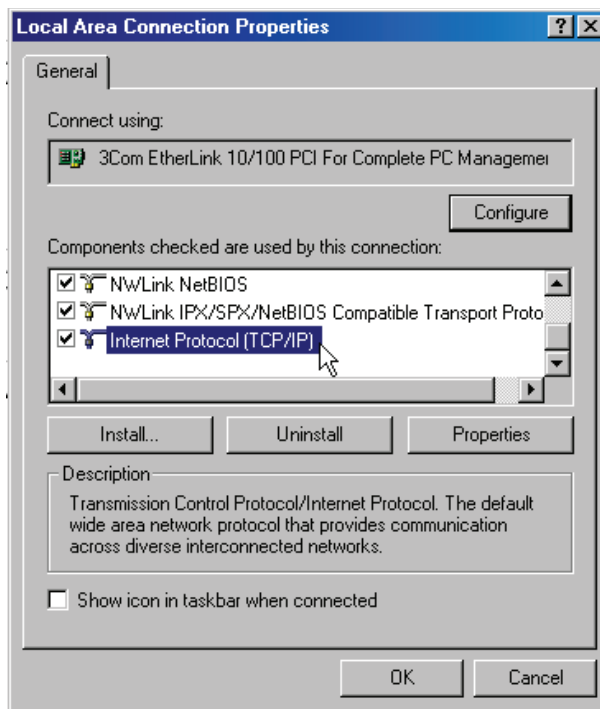


Figure 12.3: Local Area Connection Properties

6. Select the protocol icon for TCP/IP and click **Properties**.
7. When the dialog box appears, select **Use the following IP address:** Enter an IP address and subnet mask for the network you are setting up.

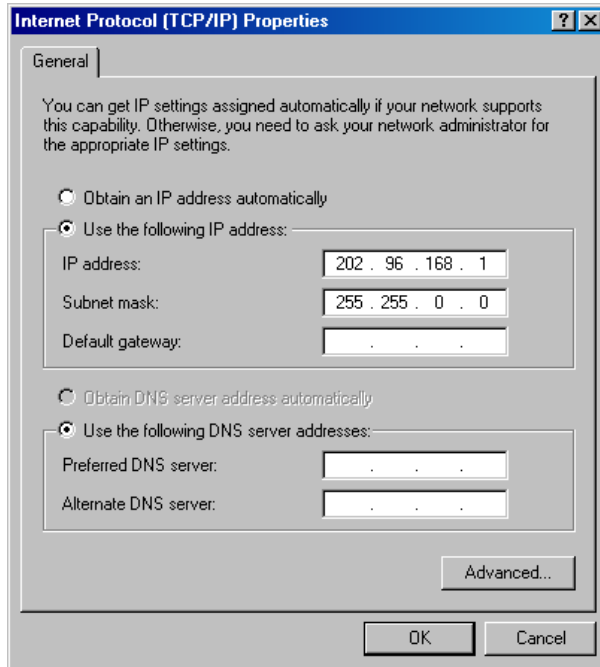


Figure 12.4: Internet Protocol Properties Use IP

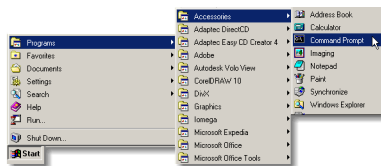


Notice!

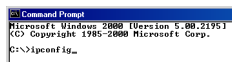
If you have any questions about the assignment of the IP address or subnet mask, contact the network administrator.

You must enter the correct subnet mask and gateway for all devices that are on this network. Contact the network administrator for these values.

8. If necessary, copy the requested files to the computer. This might require Microsoft Windows operating system disk for the version you are using.
9. After copying the files, you might need to restart the PC. If so, connect the host PC's NIC card to the network (hub) and restart the PC.
10. After the PC restarts, perform the following check to see if the previous procedures were entered correctly. Select **Start** → **Programs** → **Accessories** → **Command Prompt** to open the Run dialog box.

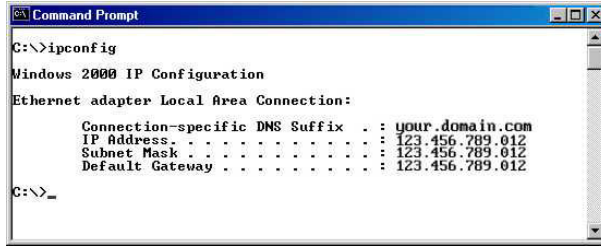


11. A command prompt window appears. Type `ipconfig` and press [ENTER].



The IP configuration for the PC is returned. The following information is shown:

- Connection-specific DNS Suffix
- IP Address
- Subnet Mask
- Default Gateway



Notice!



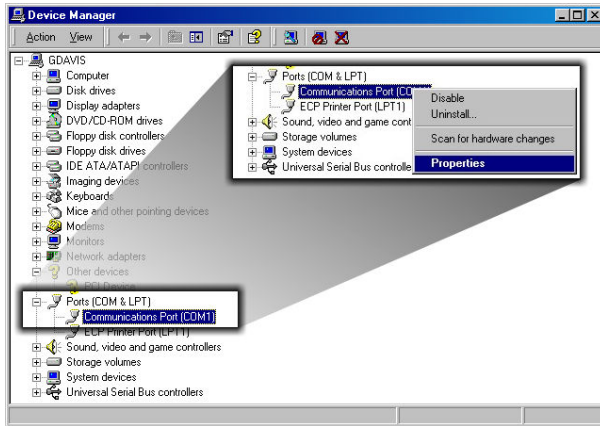
Verify the IP address, subnet mask, and all other listed information. This information should match the IP and subnet mask you assigned to this computer in the previous steps. If you have chosen to program the D6600/D6100IPv6's initial network parameters using the direct null modem serial connection, continue with the following steps. These steps are necessary only if the host computer running the D6200 Software is connected to the D6600/D6100IPv6's COM4 port using a direct NULL modem serial cable.

Selecting a baud rate:

1. Select **Start** → **Settings** → **Control Panel** to open the Control Panel.
2. When the Control Panel window opens, double-click the **System** icon.
3. The System Properties window opens.
4. Select the **Hardware** tab.



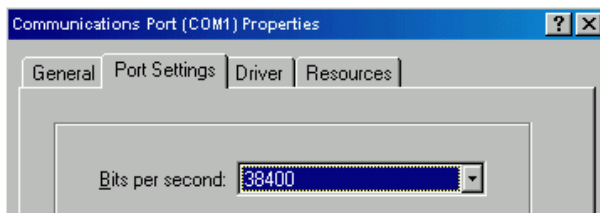
5. Click the **Device Manager** button. A hardware tree appears showing all the devices connected to the PC.
6. Click the plus sign [+] next to **Ports (COM & LPT)** to reveal the individual ports.



1. Highlight the **Communications Port (COM1)** used to connect the D6200 Communications Software to the D6600 COM4 port using a direct connect null cable.
2. Right-click and select **properties** from the menu that appears.
3. The **Communications Port (COM1)** window appears with four tabs across the top.



1. Select the **Port Setting** tab.
2. Select 38400 bits per second baud rate from the **Bits per second**; drop-down menu, then click **OK**.



12.2.2 Network Failover Solution (D6600 Only)

An installed Conettix System should have at least two D6600s and two D6686/D6682/D6680 modules to allow for a redundant backup to the first system in the event of a system Number 1 failure. To allow for a redundant backup of the D6686/D6682/D6680, program the IP address of D6686/D6682/D6680 Number 1 into D6686/D6682/D6680 Number 2. This allows for a change-over from D6686/D6682/D6680 Number 1 to D6686/D6682/D6680 Number 2. This might seem like a simple solution, but it is much more complex than it appears. In a network environment, the MAC address plays a crucial role in delivery of the data to the D6686/D6682/D6680. By simply switching from D6686/D6682/D6680 Number 1 to D6686/D6682/D6680 Number 2, no data would be delivered to D6680/D6682 Number 2 immediately after switching. This section does not explain why this happens, but how to overcome this.



Notice!

Software version 5.5C or greater must be installed in the D6680 for the Alternate MAC Address function.

Each D6686/D6682/D6680 is programmed with the same IP address, but only one is connected to the network at the same time by using an AB switch. This switch could be a larger switch that also changes the phone lines from one D6686/D6682/D6680 to the other, or any other type of switch that the location might use as long as it switches the network connection from one D6686/D6682/D6680 to the other.

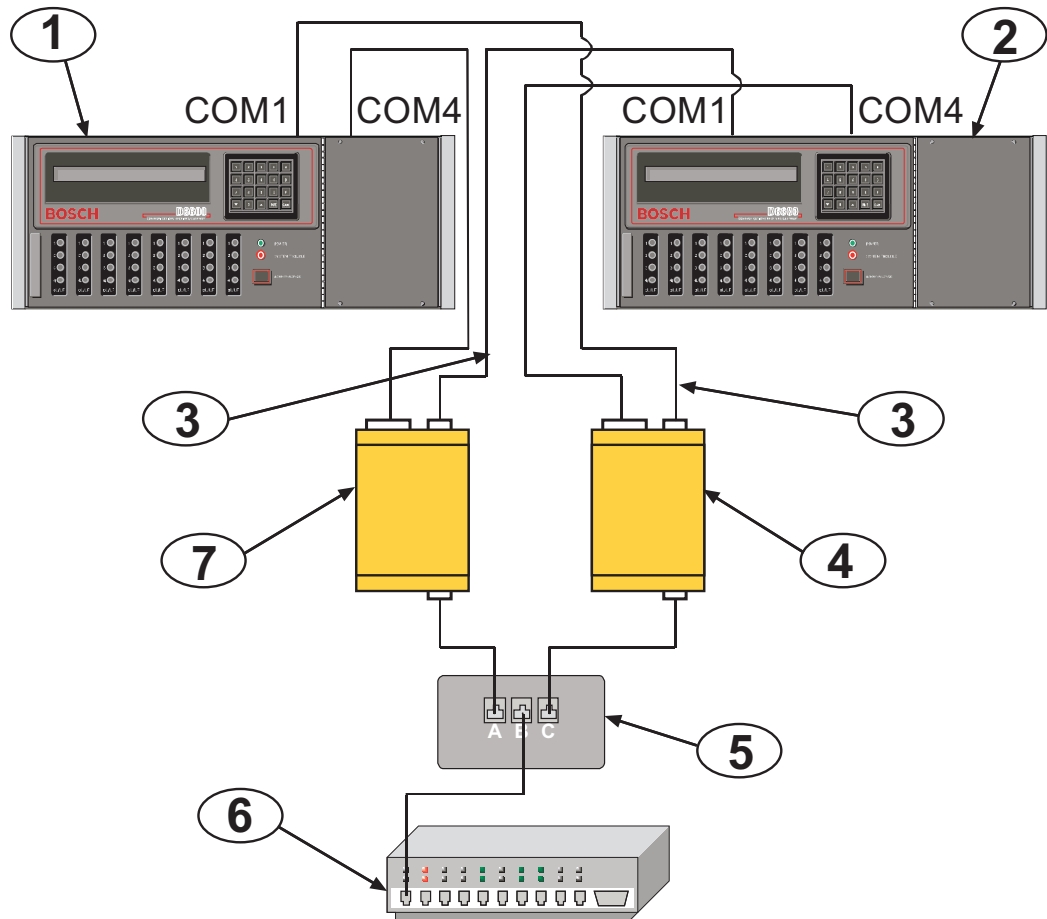


Figure 12.5: D6686/D6682/D6680 Connection

Callout – Description
1 - D6600 Number 1
2 – D6600 Number 2
3 – Null Modem cable
4 – D6686/D6682/D6680 Number 2
5 – A/B Network switch
6 – Network switch
7 – D6686/D6682/D6680 Number 1

Another necessary programming parameter is an Alternate MAC Address. The Alternate MAC Address function allows a switch between the D6686/D6682/D6680 modules to occur without the network detecting that anything changed. Program the D6686/D6682/D6680 modules as follows:

1. Program D6686/D6682/D6680 Number 1 as described in the module's installation guide for all parameters including Channel 1. Use Port 7700 as the default port number (this port can be different as described in the installation guide). Program Channel 2 with the same settings that are in Channel 1. Change the port number to any value other than the port number assigned to Channel 1 (any value between 2000 and 10000). If using encryption, perform the setup described in the module's installation guide. Save the settings and exit the telnet session.
2. Write down the MAC Address of D6686/D6682/D6680 Number 1. This will be needed during the setup of D6686/D6682/D6680 Number 2.
3. Program D6686/D6682/D6680 Number 2 with the same settings that you entered into D6686/D6682/D6680 Number 1, do not save and exit but continue to Step 4.



Notice!

Do not connect both D6686/D6682/D6680 modules to the network at the same time.

4. After completing these settings, you must do two additional settings:
 - Under Expert Settings (Menu Item 5), locate the **Alternate MAC Address** prompt. At this prompt, enter the MAC Address of D6686/D6682/D6680 Number 1.
 - Under Security Settings (Menu Item 6), change the prompt for Alternate MAC to a **Y** so that the D6686/D6682/D6680 uses the Alternate MAC Address programmed in Menu Item 5. Save the settings.
5. Connect the cabling as shown in the graphic above. Ensure that there is a switch box for the network cable connection.
6. In the D6200 software, add two receivers as follows:
 - Add the first receiver and name it Primary Receiver, with the Receiver IP Address and Receiver Port number for Channel 1 of the D6686/D6682/D6680.
 - Add the second receiver and name it Backup Receiver with the Receiver IP Address and Receiver Port number for Channel 2 of the D6686/D6682/D6680.
7. In the D6200 software, select the Primary receiver when programming changes are needed. After all program settings are sent to the Primary Receiver, change the receiver in the Connection settings to Backup Receiver and send the same parameters to the backup receiver.

12.2.3 Conettix Datagram Type Differences

**Notice!**

Install software version 5.5C or later in the network device (C900TTL-E, D9133TTL-E, or D6680) for the Datagram Type Function.
Software version 1.5D or later must be installed in the DX4020 or C900V2.

**Notice!**

If you are using a D6686 or D6100IPv6, the datagram section does not apply to the receiver configuration.

Datagram 02

This datagram uses the IP address and the port number to identify and ACK packets from the receiver to the field devices which allow multiple devices to be installed behind a single outgoing IP address. This datagram type requires that CPU version 01.02.01 or later is installed, and that receiver parameter 6.8.6 is programmed as 1.

To use this datagram type, program it in the following order:

1. Confirm that D6200 version 1.20 or later is installed.
2. Confirm that the D6600 CPU version 01.02.01 is loaded in the receiver.
3. With the D6200 software, select **Network** → **Network Configuration Management** → **Read/Manage Network Configuration from Receiver**.
4. Select the **6.8 Global Parameters** tab.
5. Change the **6.8.6 6600 Datagram Type** value to **1**.
6. Send the changes to the receiver and close the window.
7. Select **Network** → **Network Utilities** → **Network Device Setup** and select the **Telnet to Device** tab.
8. Type or find the IP address of the D6680/D6682 in the list and establish a telnet session with the D6680/D6682.
9. After establishing the telnet session, select the channel(s) to use by pressing [1] or [2], and then press **Enter**.
10. Press **Enter** until you have selected Datagram and type 02, then press **Enter**, if both channels are used, change both channels.
11. Save the settings and exit from the D6680/D6682 setup.

Datagram 07**Notice!**

This datagram is supported only on the E2-RAD version of the D9133TTL-E Network Interface Module.

This datagram type is used only in the NIM of the network device (D9133TTL-E, or DX4020). The datagram type allows the Source and Destination ports to be set independently. This use of a different source port allows NAT (Network Address Translation) tables of routers or firewalls to direct packets to the correct NIM of the field device.

To use this datagram type, program in the following order:

1. Telnet to the NIM of the field device as described in the appropriate network device (D9133TTL-E or DX4020) installation guide.
2. Select channel 1 of the NIM.

3. At the Port Number selection, enter a source port that is not being used by another NIM on the same network (such as 7701, 7702, 7703, and so on). Keeping a list of the network modules on a particular network along with the source ports of those modules will ensure that duplicate source ports are not used.
4. At the Datagram selection, enter 07 and press **Enter**.
5. At the Remote Port selection, enter the port number that is used in the D6680/D6682 for the D6600.
6. Save the settings and exit from the setup of the NIM.

Outgoing packets from a network over a single IP address go through a router or firewall that uses NAT tables to keep track of which packets come from which internal IP addresses. The NAT table ensures that the returning packets for a device are forwarded to the device that sent out the first packet. An example of this is multiple PCs on a network connecting to the Internet through a single IP address from an ISP. By using the same idea, network devices can perform the same function.

The following table shows an example of what the NAT table remembers when packets are sent to a destination. An outgoing packet is sent to an IP address with Source and Destination ports in that packet. The Destination port is the port number that the device uses when it receives data. After receiving the data, the device processes it and sends a packet back to the IP address that sent the data.

Internal IP Address	Source Port
192.168.1.11	7700
192.168.1.12	7701
192.168.1.13	7702

When the data is returned to the router or firewall software, the NIM directs the returning packet to the correct internal IP address based on the NAT table.

12.2.4 Networking and Encryption



Notice!

If you are considering using or are currently using networking and encryption, read the following information carefully.

In all cases, encryption is performed in the NIM (Network Interface Module) that is used in the D6686/D6682/D6680, D9133TTL-E, C900V2/C900TTL-E, and DX4020. When using a B420 or B426 on a GV4 v1.x control panel, encryption is performed in the NIM. Starting with GV4 v2.0 and the B Series control panels, encryption is done in the control panel. When encryption is used, the encryption key coming to the D6600 must be the same key used on all field devices that are reporting to that IP address. Because you can use up to two NIMs on the D6600, several combinations can be used:

- Both NIMs using encryption – two NIMs can use different keys or the same key
- One NIM using encryption, the other not using encryption
- Neither NIM using encryption

If encryption is **On** in the NIM at the D6600, then it must be **On** in the field devices. If it is **Off** in the NIM at the D6600, then it must be **Off** in the field devices.

- If you are not currently using encryption, refer to *Using Encryption for the First Time*, page 55.
- If you are currently using encryption, refer to *Upgrading Encryption*, page 55.

Using Encryption for the First Time

When deciding to use encryption for the first time:

- Check the hardware versions of the NIMs that will be used in the system. If all of the hardware versions used in a system do not match the versions listed below, encryption cannot be used on that system when they all report to one D6686/D6682/D6680. Any device that is not at the required hardware version must be replaced with a current version before it supports encryption.
 - The D6680 must be a COBOX-FL-01 version. This is the only hardware version that supports encryption. The COBOX-E2-01 cannot be used.
 - The D9133TTL-E and C900TTL-E NIMs must be CM-E2-RAD versions. This is the only hardware that supports encryption. The CBXM-ERAD cannot be used.
- Check the firmware versions of the NIMs that will be used in the system. For NIST approved AES support, the version must be 5.16 or later. The latest version is available on the D6600CD (v1.10 or higher) and the web site. To upgrade the firmware in the CoBox, refer to the *DeviceInstaller Operation and Installation Guide* (P/N: 4998138688). Use the latest DeviceInstaller version to upgrade the firmware in the NIMs.
- When enabling encryption on any NIM, it communicates only with a NIM that also has encryption enabled and has the same encryption key programmed in it. This means that when you enable encryption, all devices must be programmed in order for them to communicate with the D6680/D6682. During the time that it takes to program the encryption key into the NIMs, the devices will not communicate with the D6686/D6682/D6680.
- You can have two D6686/D6682/D6680 on one D6600, one having encryption On and the other having it Off. This would allow for field devices to communicate with the D6686/D6682/D6680 with encryption Off and begin the programming of the field devices to send with encryption On to the second D6686/D6682/D6680. This would allow devices to be programmed for encryption without the loss of any signals or data to the D6600. This section includes information on how to use two D6686/D6682/D6680 in a system as described.

Upgrading Encryption

If encryption is currently being used at a site that was set up before to the release of D6600CD v1.10 or NIM firmware versions before to v5.16 on the TTL-E devices, there are some items to consider before using other releases.

To ensure that NIST approved encryption is being used and communication between the NIMs continues, upgrade all TTL-E NIMs to v5.16 or later, D6200 v1.10 or later, and D6202 v2.3 or later. All versions of NIMs, D6200 software, and D6202 software are shipped with the latest software and firmware installed.

You can have two D6686/D6682/D6680 modules on one D6600, one with encryption On and the other with encryption Off. This setup would allow for field devices to continue to communicate with the D6686/D6682/D6680 with encryption Off and begin the programming of the field devices to send with encryption On to the second D6686/D6682/D6680. This would allow devices to be programmed for encryption without the loss of any signals or data to the D6600. This section includes information on how to use two D6686/D6682/D6680 modules in a system as described.

Using Two D6686/D6682/D6680 Modules in a System

If you will use two D6686/D6682/D6680 modules in a system, both using encryption (v5.16 or later) or one using encryption and the other unencrypted, then do the following steps:

- ▶ The following equipment is needed:
 - One additional D6686/D6682/D6680
 - One additional static IP Address

- A D6672 COM1 Expansion Kit for the D6600
- 1. D6686/D6682/D6680 Number 1 is the network adapter that is currently running.
- 2. Assuming the first D6686/D6682/D6680 is already set up and running, connect the second D6600 on COM1 to the D6600.
- 3. Enable encryption in the second D6686/D6682/D6680 as described in the *Conettix D6680 Network Adapter Installation Guide* (P/N: 4998138732), the *Conettix D6682 Network Ethernet Adapter Installation Guide* (P/N: F01U078049), or the *Conettix D6682 Network Ethernet Adapter Installation Guide* (P/N: F01U274796).
- 4. Add a receiver to the list of receivers under **Administration** → **Connection Settings** with the IP address and encryption key of the second D6686/D6682/D6680.
- 5. Select the receiver name added in the previous step.
- 6. Verify that the D6200 can communicate with the D6600.
- 7. Program field devices to communicate with the encryption enabled D6686/D6682/D6680:
 - Verify that the TTL-E NIM has the correct firmware (v5.16 or later).
 - Enable encryption on the NIM device with the same key that is entered in the D6686/D6682/D6680.
 - If the device is a C900TTL-E/C900V2, change the destination IP address to match the IP address in the encryption-enabled D6686/D6682/D6680.
 - If the device is a D9133TTL-E/DX4020, change the destination IP address that is currently programmed for the control panel to the encryption-enabled D6686/D6682/D6680.
 - ▶ The devices that are programmed with encryption communicate through the encryption-enabled D6680 (v5.16 or later)/D6682, while the non-encrypted devices, or those using encryption v5.1 or earlier, communicate through the original D6686/D6682/D6680.

Obtaining the Latest D6200CD Software

If you do not already have the latest D6200CD (v1.24 or later), you can obtain a correct CD by of the following methods:

- Call and order a D6200CD from the Bosch Customer Service group by calling 1-800-289-0096.
- Download the released software, firmware, and documentation from the Bosch web site. Connect to the company web site: www.boschsecurity.us, then search for D6600. You can download software, firmware, and documentation from the Conettix D6600 product page.



Notice!

Download times can vary depending on the speed of your internet connection.

Read the *D6600/D6100IPv6 Release Notes* (P/N: 4998122709) for the latest information regarding software installation, changes, and added features.



Notice!

A decompression program that handles .zip files is required in order to open the zipped file.

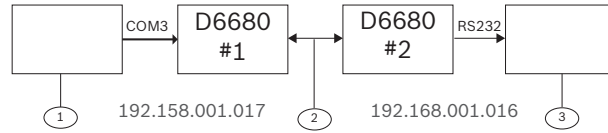
12.3

Special Conettix D6600 Applications

The following special application has been requested by Bosch dealers. It is included here to assist you if you have the same requirement. If you have any questions, contact Technical Support at (800) 289-0096.

Emulating a Direct Serial Connection Over a LAN Using D6680/D6682 Ethernet Network Adapters

Some applications might require a direct serial connection be emulated over the network. One application that would require this is where the D6600 is located on another part of the network from the Automation System. To create a direct serial connection between the D6600 and the automation system, connect the COM3 automation output from the D6600 to the two D6680s/D6682s on the system. This is true serial cable emulation over the network (refer to *Line Cards and Modules, page 15*).



Callout – Description
1 - D6600 Receiver
2 - Ethernet
3 - Automation System

The commands necessary for this configuration to automatically establish a connection are as follows. Note the reference to the D6686/D6682/D6680 modules by their number (Number 1 or Number 2). You must also ensure that the port parameters such as speed, number of bits, flow control, and so on are correct on the D6686/D6682/D6680 for the serial device that they are connected to.

<p>D6680/D6682 No. 1: *** basic parameters Hardware: Ethernet TPI IP address: 192.168.001.017, no gateway set</p> <p>***** Channel 1 ***** Baudrate 9600, I/F Mode 4C, Flow 00 Port 7700 Remote IP Adr: 192.168.001.016, Port 7700 Connect Mode: C0</p>	<p>D6680/D6682 No. 2: *** basic parameters Hardware: Ethernet TPI IP address: 192.168.001.016, no gateway set</p> <p>***** Channel 1 ***** Baudrate 09600, I/F Mode 4C, Flow 00 Port 7700 Remote IP Adr: 192.168.001.017, Port 7700 Connect Mode: C0</p>
---	--

For more information, refer to the *D6680 Ethernet Network Adapter Installation Guide* (P/N: 4998138732), or the *Conettix D6682 Network Ethernet Adapter Installation Guide* (P/N: F01U078049).

12.4 D6100IPv6 Configuration Setup Instructions

The instructions in this section are for legacy D6100IPv6 modules.

12.4.1 Factory Default IP Address

By default, the D6100IPv6 uses DHCP to obtain an IP Address. The module requires a static IP address, or receives the same IP address from the DHCP server for proper operation on the network.

An IP address is an identifier for a computer or device on a transmission control protocol/internet protocol (TCP/IP) network. Networks use the TCP/IP protocol route messages based on the IP address of the destination. The format of an IP address using IPv4 is a 32-bit numeric address written as four numbers or fields separated by periods. Each number can be 0 to 255. The format of an IP address using IPv6 is a 128-bit numeric address written as eight groups of four hexadecimal digits separated by colons.

For example, 190.200.128.111 could be an IPv4 address and 2001:0db8:85a3:0042:0000:8a2e:0370:7334 could be an IPv6 address. Within an isolated network, you can assign IP addresses at random if each one is unique. However, connecting a private network to the Internet requires using registered IP addresses (called Internet addresses) to avoid duplicates. IPv6 addresses are typically set using DHCP on the network. The D6100IPv6 supports IPv4 and/or IPv6 addressing schemes or both at the same time.

12.4.2 Identifying the MAC Hardware Address

You must program the IP address of the module. The first step is to determine the MAC, or hardware, address of the module. This address is hard-coded into the module during its manufacture and cannot be changed. This address is 6 bytes (12 digits) long.

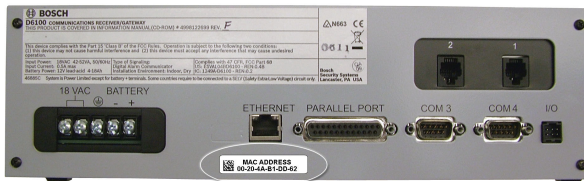


Figure 12.6: MAC Address Label Example



Notice!

The MAC address label is located on the rear of the module below the Ethernet port. Record this number for future reference.

12.4.3 Obtaining an IP Address

Provide the module's MAC address to the site's network administrator, who then assigns an IP address for the D6100IPv6.

12.4.4 Using the D6200 to configure the D6100IPv6

Read this entire section before proceeding.



Notice!

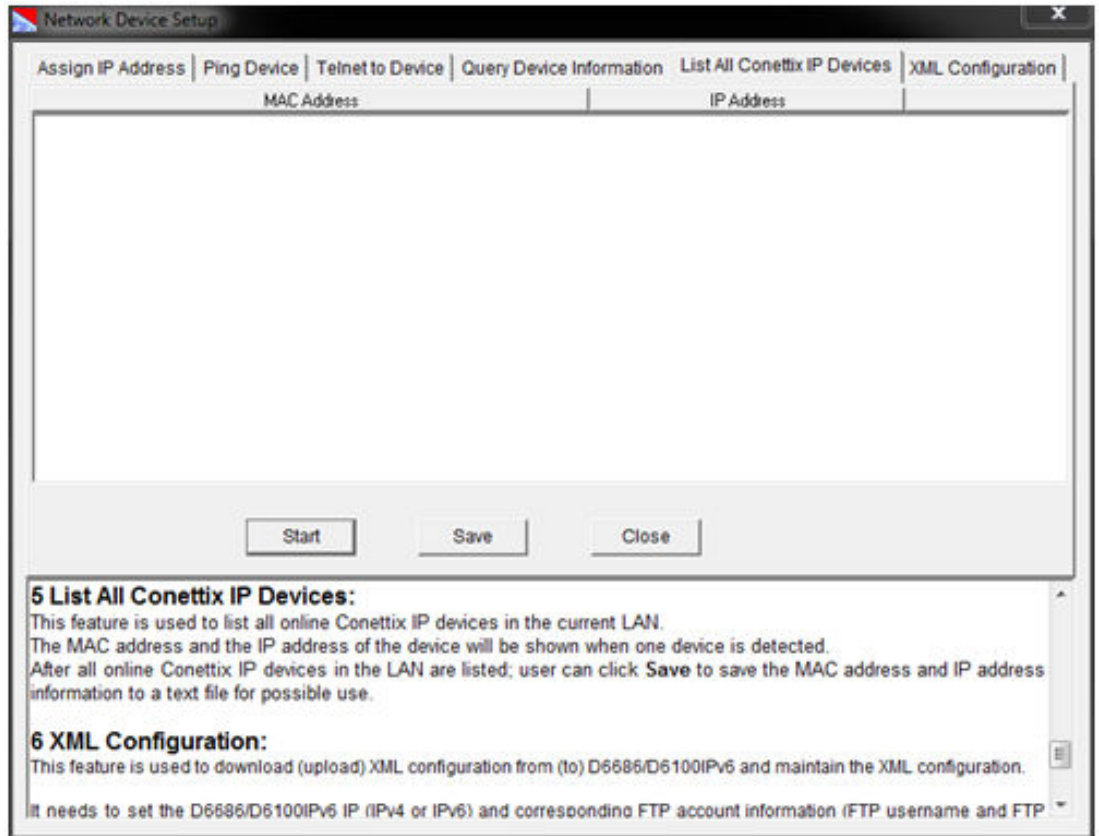
In order to access the configuration program, ensure that the D6100IPv6 and the computer used to configure it are directly connected using an Ethernet cable.

Be sure that the computer being used to configure the device is configured to use DHCP to obtain an IP address. When it is connected directly to the D6100IPv6 obtains an AutoIP address.

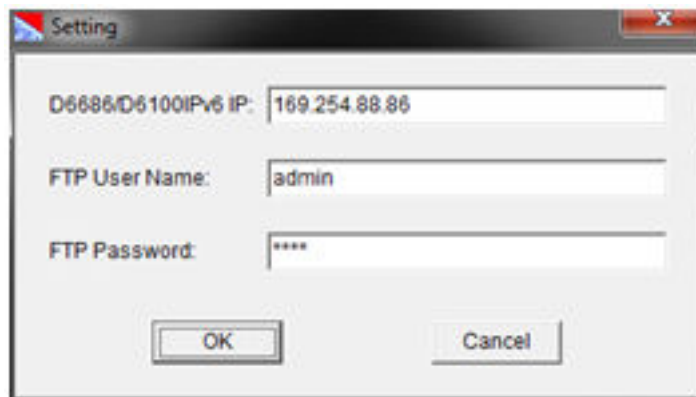
The D6200 software is the recommended way to program the network devices. Review the Network Utilities section in the *D6200 Programming Software Operation and Installation Guide* (P/N: 4998154991).

1. When you have the IP address and the network administrator confirms that it is ready, connect the Ethernet port of the D6100IPv6 directly to the computer Ethernet port using an Ethernet cable.
2. With the computer already booted and running, apply power to the D6100IPv6 and wait approximately 1 minute for the computer and D6686 to acquire an AutoIP address (169.254.xxx.xxx).
3. Open the D6200 software and select **Network – Network Utilities - Network Device Setup**.

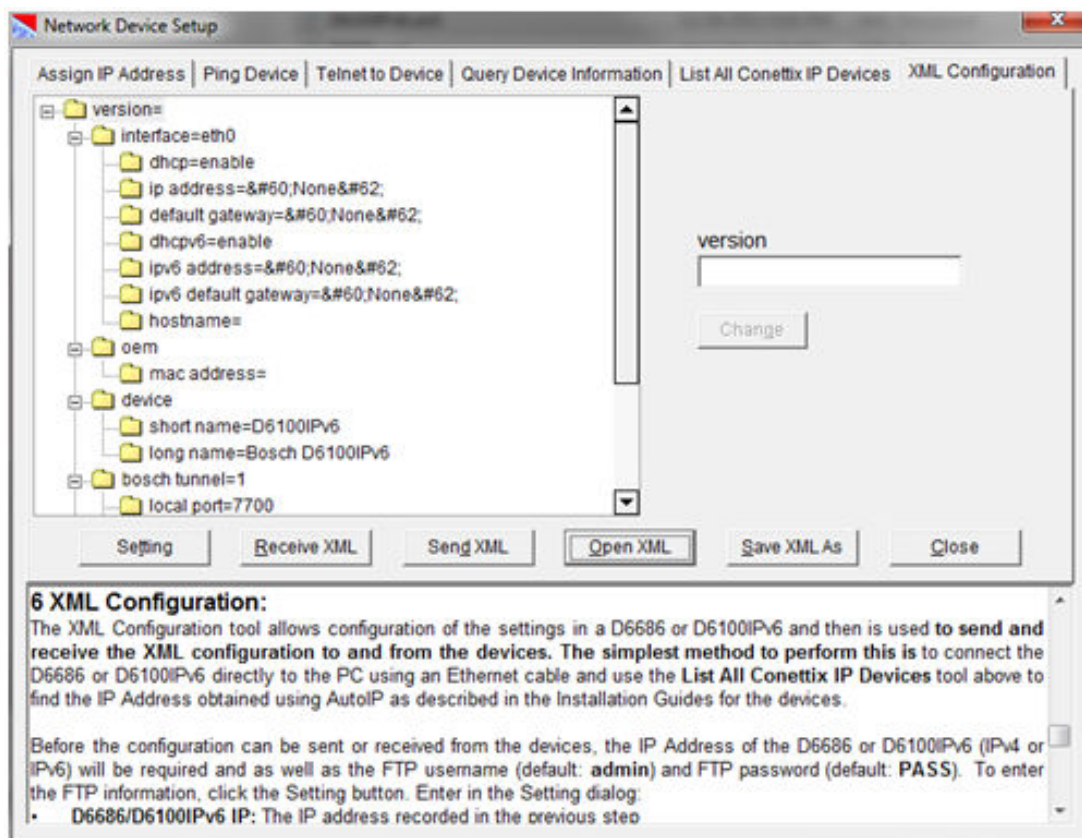
4. Select the **List All Conettix IP Devices** tab and click **Start**. The program scans the network for the device.



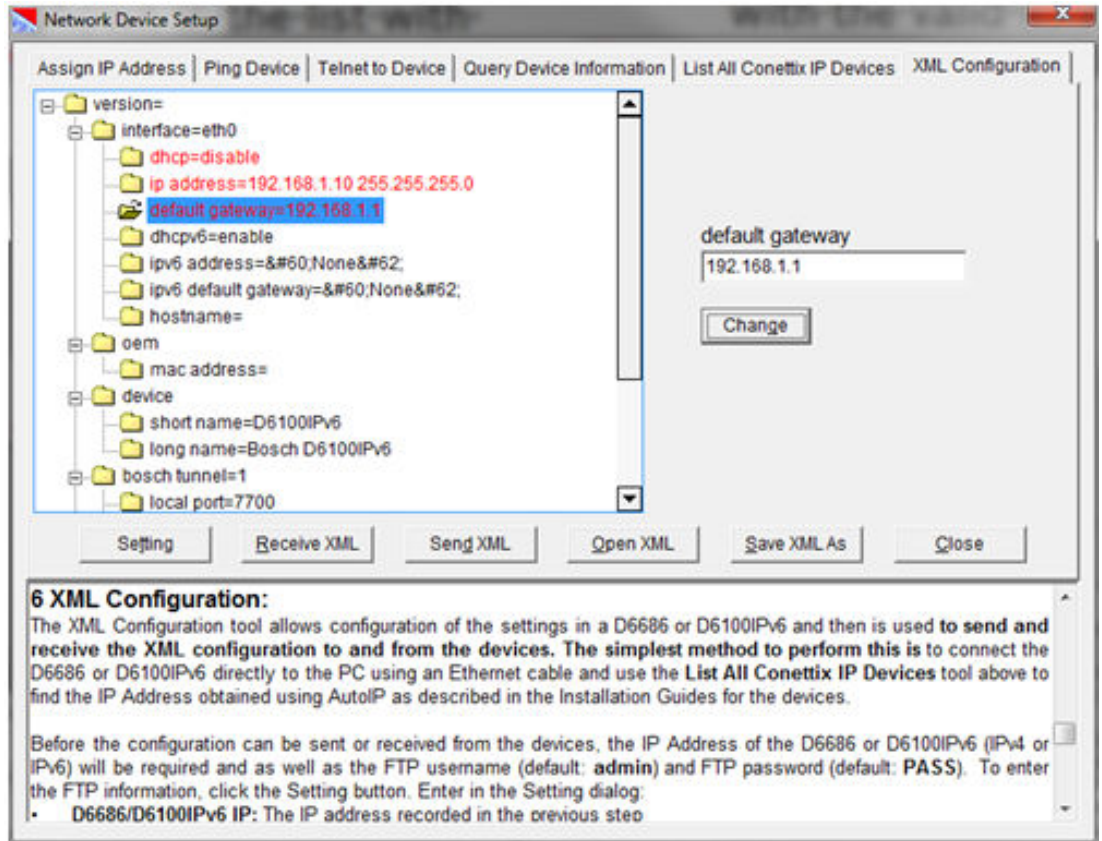
5. The D6100IPv6 appears in the list with the IP address. Record the IP address that is listed as shown.
6. Select the **XML Configuration** tab and click **Setting**. Enter into the **Setting** dialog box fields:
 - **D6686/D6100IPv6 IP:** The IP address recorded in the previous step
 - **FTP User Name:** admin
 - **FTP Password:** PASS



1. Click **OK**.
2. Click the **Open XML** button, select **D6100IPv6.xml**, and click **Open**.



3. Make changes to the parameters that are required for your particular installation by selecting the specific item, entering the required changes, and clicking **Change**. The changed values show in red as shown below. All of the programmable configuration parameters show on the next page with the valid values.



Config Section	Config Sub-section	Config Parameter	Default Value	Valid Values	Description
interface	eth0	dhcp	enable	enable, disable	Determines if IPv4 DHCP is used. If this is set to disabled, then a Static IPv4 Address needs to be specified in the IP Address Configuration Parameter.
interface	eth0	ip address	<None>	Accepts an IPv4 address and mask as either: 1 IP address only (192.168.1.1) gets a default mask, 2 CIDR (192.168.1.1/24), 3 Explicit mask (192.168.1.1 255.255.255.0)	If IPv4 DHCP is disabled, then an IPv4 Address must be entered here.

Config Section	Config Sub-section	Config Parameter	Default Value	Valid Values	Description
interface	eth0	default gateway	<None >	Accepts in IPv4 address in dotted notation (192.168.1.1)	If IPv4 DHCP is disabled, enter the IPv4 Gateway IP Address.
interface	eth0	dhcpv6	enable	enable, disable	Determines if IPv6 DHCP is used. If this is set to disabled, then a Static IPv6 Address needs to be specified in the IP Address Configuration Parameter.
interface	eth0	ipv6 address	<None >	Accepts an IPv6 address	If IPv6 DHCP is disabled, then an IPv6 Address must be entered here.
interface	eth0	ipv6 default gateway	<None >	Accepts an IPv6 address in colon notation (2001:0db8:85a3:0042:0000:8a2e:0370:7334)	If IPv6 DHCP is disabled, enter the IPv6 Gateway IP Address.
interface	eth0	hostname			Sets the hostname that is used with DHCP.
oem		mac address			Allows for an alternate MAC Address to be entered here supporting the failover configuration described in the <i>D6600/D6100IPv6 I&O Guide (4998122704)</i> .
device		short name	D6686		Sets the product short name displayed in command mode. (Max of 8 Characters)
device		long name	Bosch D6686		Sets the product long name displayed in command mode.
bosch tunnel	1 or 2	local port	7700 (tunnel 1) / 7701 (tunnel 2)		IP Port number the D6686 is listening on for IP traffic relative to each serial port. See the failover configuration described in the <i>D6600/D6100IPv6 I&O Guide (4998122704)</i> .
bosch tunnel	1 or 2	protocol	UDP	UDP, UDP AES	Determines the protocol to be used depending whether encryption is being used. (See <i>Important Note on next page</i>)
bosch tunnel	1 or 2	aes key size	128	128, 192, 256	Determines the Encryption Key Size in number of bits.

Config Section	Config Sub-section	Config Parameter	Default Value	Valid Values	Description
bosch tunnel	1 or 2	aes key	01020304 05060708 09101112 13141516	16 to 32 Hexadecimal characters	Enter the 16 to 32 Hexadecimal characters depending upon the Key size entered: 128-bit requires 16 Hex characters 192-bit requires 24 Hex characters 256-bit requires 32 Hex characters
xml import control		reboot	enable	enable, disable	DO NOT CHANGE. This instructs the module to reboot after the parameters are loaded into the device to begin using the new configuration. Eliminates the need to cycle power to the device. If this is changed from enabled, it will require a power cycle for the new configuration to take effect.

Table 12.1: XML Configuration Parameters

1. Click **Save XML As** to save the changes, and then enter a name for these configuration settings.
2. Click **Send XML** to send these changes to the D6100IPv6. The device saves the changes and reboots with the new configuration.
3. Disconnect the Ethernet cable connecting the computer and the D6100IPv6, and then connect the D6100IPv6 to the network switch or router as required.



Notice!

The D6100IPv6 Ethernet module is a Lantronix Xport Pro with custom firmware installed and UL Listed for use on the D6100IPv6. If standard Lantronix firmware is installed on a D6100IPv6, the device no longer functions correctly.

12.4.5 Configuring for Network Communication

The following steps allow the D6100IPv6 to communicate with the host computer running the D6200 Programming Software.



Notice!

For the network communication to function, install a properly configured D6100IPv6. Refer to the previous sections. If network communications are not installed, further D6200 software programming using the network is not possible. Consequences

1. On the D6100IPv6 keypad, press **Menu** and enter the default passcode of [6][1][0][0] to enter the programming mode. Press **Menu** again.



Notice!

To change any programming parameter, follow this syntax:
Press **Enter**.
Enter the desired value.
Press **Enter** again to store the value.

2. Press **Down** until viewing **6 NETWORK CONFIGURATION**, and then press **Enter**.
3. Press **Down** until viewing **6.2 Network adapter**, and then press **Enter**.
4. Press **Down** to view **6.2.5 Network Adapter Enabled**, and then verify it is a value of **2** and press **Enter**. If the value is not **2**, press **Enter>[2]>Enter**.
5. If the D6100IPv6 has encryption enabled, press **Down** until viewing **6.2.6 Network Encryption Enabled** and set it to **1** using the same method as above.

**Notice!**

If using Network Automation, it is recommended that this be setup done using the D6200 after it can communicate with the D6100IPv6.

6. Press **Cancel** and press **Down** until viewing **6.4 D6200 Network Connections**, and then press **Enter**.
7. Press **Enter** to enter the **IP address** into **6.4.1** or **Login Password** into **6.4.6** of the host computer that is running the D6200 Software.

**Notice!**

When entering an IP address through the keypad of the D6100IPv6, press the UP button for a “.” in a IPv4 address and the DOWN button for a “:” in an IPv6. For example enter IP address 192.168.1.3 as: [1][9][2][Δ][1][6][8][Δ][1][Δ][3][ENTER].

8. Verify that **6.4.5 Network Programming Enable** is a **1**. If the value is not **1**, press **Enter [1] Enter**.
9. Press **Cancel** repeatedly to return to the idle stage (the time and date show on the LCD).

12.5

D6100i Configuration Setup Instructions

The instructions in this section are for legacy D6100i modules.

12.5.1

Identifying the MAC Hardware Address

You must program the IP address of the module. The first step is to determine the MAC, or hardware, address of the module. This address is hard-coded into the module during its manufacture and cannot be changed. This address is 6 bytes (12 digits) long.

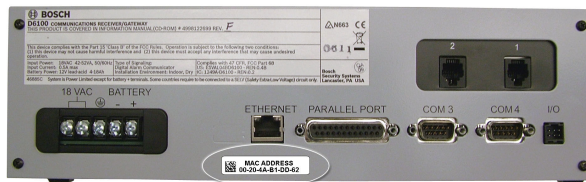


Figure 12.7: MAC Address Label Example

**Notice!**

The MAC address label is located on the rear of the module below the Ethernet port. Record this number for future reference.

12.5.2

Obtaining an IP Address

Provide the module’s MAC address to the site’s network administrator, who then assigns an IP address for the D6100IPv6.

12.5.3 Initial IP Address Assignment Using ARP.EXE

The D6100i you are configuring and the computer used to configure it must both be on the same gateway (the device that connects the LAN to the WAN) to use telnet for configuration of the D6100i. The gateway can be a router or a hub. After you configure the D6100i and assign it an IP address, you can then use telnet to change configuration parameters from anywhere on the network.



Notice!

Read this entire procedure before starting. Ensure that power is applied to the D6100i and then connected to the LAN or WAN through the Ethernet connector.

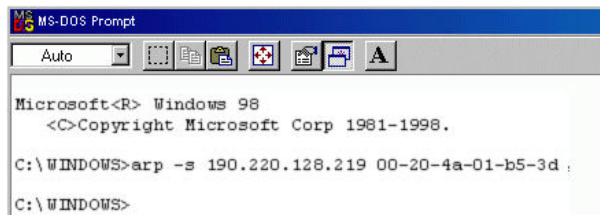
The following procedure shows how to use the ARP command to assign an IP address to the D6100i.



Notice!

The IP and MAC addresses in this procedure are examples and are not the same as those for your D6100i.

1. Select **Start → Run**.
The **Run** dialog box appears.
2. In the **Run** dialog box, type **COMMAND** and click **OK**.
A DOS window appears.



3. At the DOS command line, type:
arp -s xxx.xxx.xxx.xxx zz-zz-zz-zz-zz-zz
and press **Enter**.



Notice!

xxx.xxx.xxx.xxx is the IP address the network administrator assigned to the D6100i
zz-zz-zz-zz-zz-zz is the MAC address printed on the back of the D6100i

For example:

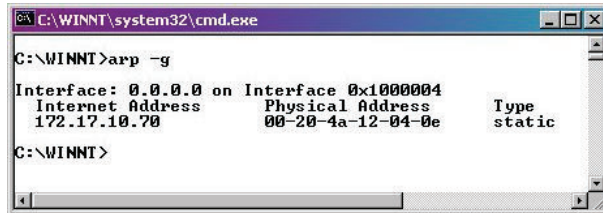
```
C:\WINDOWS>arp -s 172.17.10.70 00-20-4a-12-04-0e.
```

The program responds with a prompt to indicate that the address was accepted.

```
C:\WINDOWS>arp -s 172.17.10.70 00-20-4a-12-04-0e.  
C:\WINDOWS>_
```

1. Verify that you entered the IP address correctly. Type:
arp -g
and press **Enter**.

This command displays the IP address 172.17.10.70 temporarily linked to MAC address 00-20-4a-12-04-0e as shown. The temporary link shows a static entry.



```
C:\WINNT\system32\cmd.exe
C:\WINNT>arp -g
Interface: 0.0.0.0 on Interface 0x1000004
Internet Address      Physical Address      Type
172.17.10.70         00-20-4a-12-04-0e   static
C:\WINNT>
```

The network uses this table to identify devices and to route signals. The number of devices and other types (static and dynamic, as shown in the example) depends on the network and the number and type of devices with which this COMPUTER communicates. Identify the MAC address of the device you are installing and verify that it now has an IP address linked to it.

12.5.4 Using Telnet to Finish the Configuration



Notice!

To use Telnet, you must log in as a user with Administrative privileges.

In Windows Vista, Telnet is disabled by default. In order to use Telnet, you must enable it:

1. Click **Start>Control Panel>Programs**.
2. Click Turn Windows features on or off. If you are prompted for an administrator password or confirmation, type the password or provide confirmation.
3. In the Windows Features dialog box, select the Telnet Client check box.
4. Click OK. The installation might take several minutes



Notice!

The MAC address, IP address, gateway IP address, and port number in this procedure are examples and are not the same as those for your C900V2.

Notice!

By default, Windows Vista does not install the Telnet client. The Telnet client is for text-based communication with remote systems.

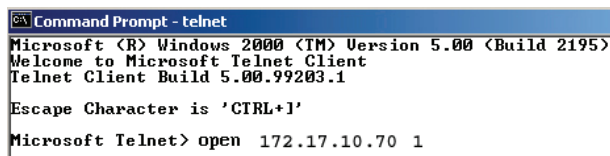
To install the Telnet client on a PC running Windows Vista:



1. Click **Start→Control Panel**.
2. Select **Programs and Features**.
3. Select Turn **Windows Features on or off**.
4. Select the **Telnet Client** option.
5. Click **OK**.

A dialog box opens to confirm installation. The telnet command is now available.

5. Select Start → Run. The Run dialog box appears.
6. In the Run dialog box, type telnet and click OK. The Telnet window appears.



```
Command Prompt - telnet
Microsoft (R) Windows 2000 (TM) Version 5.00 (Build 2195)
Welcome to Microsoft Telnet Client
Telnet Client Build 5.00.99203.1
Escape Character is 'CTRL+]'
Microsoft Telnet> open 172.17.10.70 1
```

7. Type open <IP ADDRESS> 1 and press **Enter** (where <IP ADDRESS> is the IP address of the D6100i). Type a space after open and after the IP address. For example:
open 172.17.10.70 1. The connection fails the first time. This is normal.
8. Repeat Step 3 using **9999** as the port number.
9. Type open <IP ADDRESS> 9999 and press **Enter** (for example, open 172.17.10.70 9999).
10. Press **Enter**. The Setup Mode information appears.

```

Command Prompt - telnet
Lantronix UTS Snr 1281-167 U3.6
Press Enter to go into Setup Mode

*** basic parameters
Hardware: Ethernet Autodetect
IP addr 172.17.10.70 no gateway set,netmask 255.255.000.000

***** Channel 1 *****
Baudrate 09600, I/F Mode 4C, Flow 00
Port 03001

Connect Mode: C0 Disconnect Mode: 01
Flush Mode: 00

Change Setup : 0 Server configuration
               1 Channel 1 configuration
               7 Factory defaults
               8 exit without save
               9 save and exit           Your choice ?
    
```

12.5.5 Configuration Using Telnet

1. Type 0 (zero) and press **Enter** to set up the basic server configuration. If the D6100i was previously programmed with an IP address, the address appears in parentheses.
2. Type the IP address (for example, 190.200.128.219) and press **Enter**.
3. If the Gateway address is required, type y, press **Enter**] and then type the address and press **Enter**. If the Gateway address is not required or if you use DHCP, type n and press **Enter**.
The following prompt appears.

Netmask: Number of Bits for Host Part (0=default) (00)



Notice!

The Gateway IP is required only if you are connecting to a WAN. In a LAN, the Gateway IP is usually not needed unless the Gateway IP of the PC is different from the Gateway to which the D6100i is connected.

4. If Network needs to be changed from the default, enter the number of bits that correspond to the netmask your network uses and press **Enter**. Contact your network administrator if you need more information about the netmask.

Host Bits	Netmask	Host Bits	Netmask
1	255.255.255.254	17	255.254.0.0
2	255.255.255.252	18	255.252.0.0
3	255.255.255.248	18	255.248.0.0
4	255.255.255.240	20	255.240.0.0
5	255.255.255.224	21	255.224.0.0
6	255.255.255.192	22	255.192.0.0
7	255.255.255.128	23	255.128.0.0
8	255.255.255.0	24	255.0.0.0

9	255.255.254.0	25	254.0.0.0
10	255.255.252.0	26	252.0.0.0
11	255.255.248.0	27	248.0.0.0
12	255.255.240.0	28	240.0.0.0
13	255.255.224.0	29	224.0.0.0
14	255.255.192.0	30	192.0.0.0
15	255.255.128.0	31	128.0.0.0
16	255.255.0.0		

The following prompt appears:

Change telnet config password (N) _

- ▶ Press **Enter** to accept the password setting at none.



Notice!

In most cases, do not assign a password. If a password is necessary, store it in a safe place. If you lose or forget the password, you cannot connect to D6100i using telnet until you send the unit to the factory for password removal, and the unit is returned to you.

The Setup Mode information appears.

```

Command Prompt - telnet
Serial Number 5221484 MAC address 00:20:4A:52:53:EC
Software version V04.5 (020318)

Press Enter to go into Setup Mode

*** basic parameters
Hardware: Ethernet Autodetect
IP addr 172.30.1.70, no gateway set, netmask 255.255.000.000

***** Security *****
SNMP is enabled
SNMP Community Name: public
Telnet Setup is enabled
TFTP Download is enabled
Port 77FEh is enabled
Web Server is enabled
Encryption is disabled
Enhanced Password is disabled

***** Channel 1 *****
Baudrate 9600, I/F Mode 4C, Flow 00
Port 10001
Remote IP Addr: --- none ---, Port 00000
Connect Mode: C0 Disconn Mode: 00
Flush Mode: 00

***** Channel 2 *****
Baudrate 9600, I/F Mode 4C, Flow 00
Port 10002
Remote IP Addr: --- none ---, Port 00000
Connect Mode: C0 Disconn Mode: 00
Flush Mode: 00

***** Expert *****
TCP Keepalive : 45s
ARP cache timeout : 600s

Change Setup : 0 Server configuration
                1 Channel 1 configuration
                2 Channel 2 configuration
                5 Expert settings
                6 Security
                7 Factory defaults
                8 Exit without save
                9 Save and exit

Your choice ? _

```

1. Type 1 and press **Enter** to set up Channel 1 configuration. This information appears.

```
Telnet - 172.17.10.70
Connect Edit Terminal Help
7 Factory defaults
8 exit without save
9 save and exit          Your choice ? 1
Baudrate (09600)
I/F Mode (4C) ?
Flow (00) ?
Port No (07700) ?
ConnectMode (CC) ?
Datagram Type (00) ?
*** basic parameters
Hardware: Ethernet Autodetect
IP addr 172.017.010.070, gateway 255.255.255.000,netmask 255.255.000.000
***** Channel 1 *****
Baudrate 09600, I/F Mode 4C, Flow 00
Port 07700
Datagram Type 00
Pack Contrl: 00

Change Setup : 0 Server configuration
                1 Channel 1 configuration
                7 Factory defaults
                8 exit without save
                9 save and exit          Your choice ?
```



Notice!

If the default value displayed in your Telnet window does not match the value listed in any of the steps below, type the correct value and press **Enter**.

1. At the **Baud Rate** prompt, press **Enter** to accept the default (38400).
 2. At the **I/F Mode** prompt, press **Enter** to accept the default (4C).
 3. At the **Flow** prompt, press **Enter** to accept the default (00).
 4. Type a unique **Port Number** for the LAN to which the D6100i is connected and press **Enter**.
 5. At the **ConnectMode** prompt, press **Enter** to accept the default (CC).
 6. At the **Datagram Type** prompt, type 00 or 02 and press **Enter**.
 7. At the **IP addr** prompt, type the remote IP address used for the D6600 to which the C900V2 reports and press **Enter**.
 8. Enter the remote IP address using 000.000.000.000 format.
 9. Type the **Port Number** for the D6600 and press **Enter**.
- If you want to enable encryption, continue with the next step, or skip ahead to the last step.



Notice!

If encryption is enabled on the D6100i, it must be enabled on all field devices.

1. From the **Change Setup** menu, type 6 and press **Enter**.
This information appears.

```
Telnet - 172.30.1.31
Connect Edit Terminal Help

Change Setup : 0 Server configuration
                1 Channel 1 configuration
                2 Channel 2 configuration
                5 Expert settings
                6 Security
                7 Factory defaults
                8 Exit without save
                9 Save and exit          Your choice ? 6

Disable SNMP (N) N
SNMP Community Name ():
Disable Telnet Setup (N) N
Disable TFTP Firmware Update (N) N
Disable Port 77FEh (N) N
Disable Web Server (N) N
Disable ECHO ports (Y) Y
Enable Encryption (N) █
```

2. At the **Disable SNMP** prompt, press **Enter** to accept the default (N).
3. At the **SNMP Community Name** prompt, press **Enter** to accept the default (blank).
4. At the **Disable Telnet Setup** prompt, press **Enter** to accept the default (N).

5. At the **Disable Port 77FEh** prompt, press **Enter** to accept the default (N).

**Notice!**

Disabling the telnet and port 77FE prevents you from accessing the set-up menu for future changes.

6. At the **Disable Web Server** prompt, press **Enter** to accept the default (N).
 7. At the **Disable ECHO ports** prompt, press **Enter** to accept the default (Y).
 8. At the **Enable Encryption** prompt, type y and press **Enter**.
 9. At the **Change keys** prompt, type y and press **Enter**.
 10. Type the key and press **Enter**.
The key is 16 bytes (32 characters) long. Enter the key using the 01-02-03-04-05-06-07-08-09-10-11-12-13-14-15-16 format.
 11. At the **Enable Enhanced Password** prompt, press **Enter** to accept the default (N).
 12. Type 9 and press **Enter** to save changes and exit from the telnet session.
To confirm that the IP address is configured properly, use the ping utility:
 13. At the **C:\>** prompt, type ping <IP Address> and press **Enter**.
Four reply messages are received, confirming the D6100i is communicating on the network
- Configuration of the D6100i is complete.

12.5.6**Configuring for Network Communication**

The following steps allow the D6100i to communicate with the host PC running the D6200 Programming Software.

**Notice!**

For the network communication to function, install a properly configured D6100i. Refer to the previous sections. If network communications are not installed, further D6200 software programming using the network is not possible.

1. On the D6100i keypad, press **Menu** and enter the default passcode of [6][1][0][0] to enter the programming mode. Press **Menu** again.

**Notice!**

To change any programming parameter, follow this syntax:

Press **Enter**.

Enter the desired value.

Press **Enter** again to store the value.

2. Press **Down** to view the **6 NETWORK CONFIGURATION** then press **Enter**.
3. Press **Down** to view the **6.2 Network adapter** and press **Enter**.
4. Set **6.2.5 Network Adapter Enabled** to a value of **1** and press **Enter**. If the value is not **1**, press **Enter>[1]>Enter**.
5. If the D6100i has encryption enabled, Set **6.2.6 Network Encryption Enabled** to **1**.
6. Press **Cancel** and press **Down** to view **6.3 Network Automation Connection**.
7. Press **Enter**.
8. Press **Down** to view **6.3.6 Network Automation Output Format**.
9. Type **1** for 6500 mode or **2** for SIA mode and press **Enter** to enter the selection.
10. Press **Cancel** and press the **Down** button to view **6.3.7 Device**.
11. Press **Enter**.

12. Press **[1]** for **automation communication through a network**, or **[2]** for **automation communication through the RS-232 COM3 port**.
13. Press **Cancel** and press the **Down** button to view **6.4 D6200 Network Connections**.
14. Press **Enter** to view **6.4.1 IP Address 1**.
15. Press **Enter** again to enter the IP address of the host PC that runs the D6200 Software



Notice!

When entering an IP address through the keypad of the D6100i, press an alpha character ([A] to [F]) to enter a decimal point in the IP address. For example, enter IP address 202.96.168.127 as:
[2][0][2][A][9][6][A][1][6][8][A][1][2][7][ENTER].

16. Press the **Down** button to view **6.4.5 Network Programming Enable**. Verify that the value is **1**. If the value is not **1**, press **Enter [1] Enter**.
17. Press **Cancel** repeatedly to return to the idle stage (time and date show on the LCD).

13 No Data Received Reports

If a message is garbled (incorrect checksum or inconsistent message rounds) due to a noisy telephone line or other difficulty, the receiver withholds the kiss-off tone. This causes the control panel to send the same message again up to four times.

13.1 No Data Received

The D6600/D6100IPv6 generates one or more of the following events:

- Telephone line noise causes the data to be unrecognized.
- A control panel sends the data in a format not recognized by the D6600/D6100IPv6.
- A control panel transmitted nothing.

```
10/13 09:28 L01 NO DATA RECEIVED
```

Figure 13.1: No Data Received Message

13.2 Data Error

Data Error is a function of PSTN. It is an error condition when the D6600/D6100IPv6 receives partial data, appears on the LCD, and sends the error to a connected printer.

This occurs when telephone line noise causes data to be unrecognizable.

13.3 Wrong Data

Wrong Data is a function of the CPU where the PSTN software sends an invalid signal to the CPU. It only sends output to the LCD and any connected printer.

14 Central Station Automation System

If using a Bosch Security Systems, Inc. receiver, connect a central station automation system computer to the COM3 port (automation computer port) on the rear of the receiver with a null-modem cable. Refer to the *D6600/D6100IPv6 Computer Interface Manual* (P/N: 4998122703) for additional information.

Standard automation reporting usually sends RS-232 serial data from the receiver COM3 port to a COM port of a separate automation PC (refer to *COM3 Automation Configuration in the D6600/D6100IPv6 Program Entry Guide* (P/N: 4998122702)). With no additional programming required at the network device servers such as the D6680s/D6682, you can use the same serial communication across a network connection by using D6680s at both ends of the automation communication path. The D6600 still sends the standard serial data, but the network device servers create a "serial tunnel" and communicate with each other, convert data back to the standard RS-232 that the automation computer can interpret, and transmit data over the network.



Notice!

Some messages might remain unacknowledged (NACK) because of increased network activities. This forces the D6600 to send these messages again. Refer to *Network Communications, page 42* for complete details on network communications and programming.

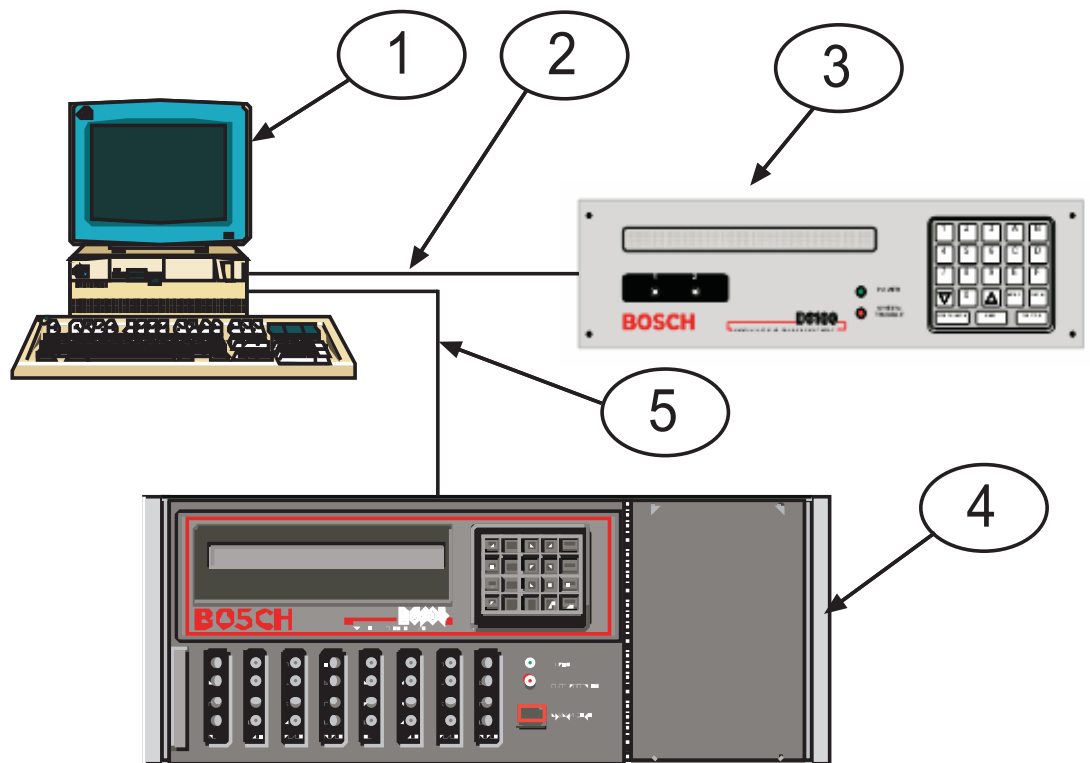


Figure 14.1: Receiver system – Direct Connect

Callout — Description
1 — Host PC
2 — Connection – host PC COM port to D6100IPv6 COM3 port
3 — D6600IPv6

4 — D6600 Receiver
5 — Connection – host PC COM Port to D6600 COM3 port

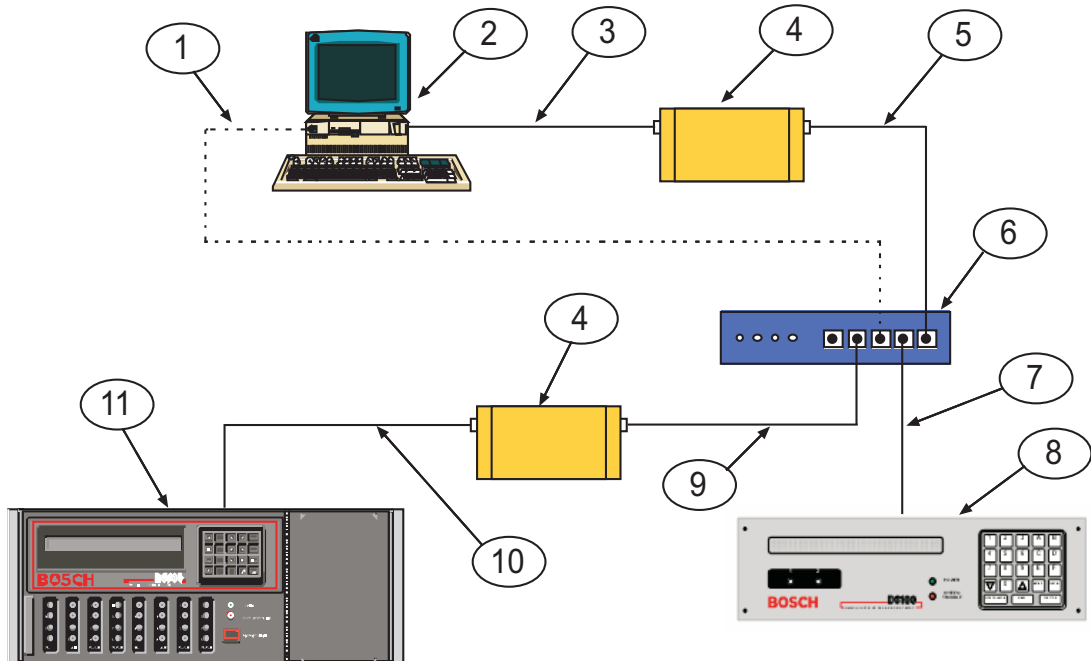


Figure 14.2: Receiver System – Standard/Network Automation

Callout — Description
1 — Connection – Host PC Network Interface Card to the Ethernet switch/hub
2 — Automation PC
3 — Connection – PC COM port to Network Ethernet Module
4 — Network Ethernet Module
5 — Connection – Network Ethernet Module to switch/hub
6 — Switch/hub
7 — Connection – Ethernet switch/hub to D600IPV6
8 — D6100IPV6
9 — Connection – Ethernet switch/hub to Network Ethernet Module
10 — Connection – Network Ethernet Module to D6600 COM4
11 — D6600

Notice!



For automation packages with network capabilities: The packet format received from the receiver is the same as for RS-232 reporting, except an internet protocol (IP) and user datagram protocol (UDP) header is stamped on the packet as the data transmitted by either standard IP or UDP structure over the network. Automation software can easily support the network communication by calling Socket functions.

15 Central Station Tips

15.1 Back-up Receiver

Spare circuit boards and receivers should be available at the central station. Keep a spare kit on hand. UL Listed central stations monitoring burglary or fire alarms must have a spare receiver available for activation within 30 sec.

15.2 Computer Interface



Notice!

Keep spare cards for all receiver components.
Keep a spare CPU terminator card in the central station.

15.3 D6200 Programming Software



Notice!

Keep D6200 Programming Software in the central station at all times.

15.4 Telephone Lines

Emergency Ringers

Extension ringers for incoming receiver telephone lines are available from telephone equipment supply companies. They ring briefly to indicate an incoming call. If they continue to ring, your receiver is out-of-service. The ringer has a volume control, but in a high traffic central station, you might prefer to use beehive lights instead of ringers.

Rotary Lines



Notice!

Use rotary receiver lines (hunt groups) to prevent delay in alarm signals during periods of busy central station traffic

Rotary lines are also important for providing alternate paths when a line is out of service. To use this feature have your dispatcher dial the out-of-service line and leave the calling telephone off the hook. This creates a busy signal on the line to all incoming communicators. The communicators automatically switch to an unused line. The telephone company provides rotary service when ordered.



Notice!

UL and Factory Mutual central station service standards require constant monitoring of telephone lines.

15.5 Proper Ground

Connect the receivers to an earth ground, not a chassis or electrical ground. Measure the resistance of the receiver ground to another ground. If the meter reads above 2Ω , check your receiver ground against a third ground. If the difference is still greater than 2Ω , ground your receiver to a different earth ground. Cold water pipes or a grounding rod usually make a good earth ground. The grounding wire should be heavy copper with as short and straight a run as possible. Avoid sharp bends in the ground wire because a large power surge might arc across the bend.

The terminator cards and their connection to the receiver cabinet provide the ground source for the receiver's circuit boards. Firmly tighten all the screws used to secure the terminator cards to the back of the receiver cabinet.



Notice!

If the mounting bracket screws are not tight, the receiver's operation can be erratic. A short circuit or foreign voltage induced into the system can cause the receiver to fail.

Put an anti-static mat in front of the receiver to prevent electrostatic discharge from the operator to the equipment.

15.6 Radio Frequency Interference

The D6600/D6100IPv6 is microprocessor based. All microprocessors are susceptible to radio frequency interference (RFI), especially at the 480 MHz and 950 MHz bandwidths used by walkie-talkies. Do not operate a walkie-talkie near a receiver.

15.7 Test Communicator

Periodically check your receiver and its telephone lines by using a digital communicator triggered by an interval timer. If you have more than one data line, use a communicator for each line or use a multiple number communicator.

16 Troubleshooting Guide

The D6600 consists of several plug-in assemblies that you can easily replace in the field (components and controls on individual assemblies are shown starting in *Card Functions and Locations, page 14*).

Symptom	Problem	Solution
Line Card OL/LF LED steadily glows red or yellow.	Telephone line, telephone connecting cord, line card, or telco terminator is defective.	<p>Pull the line card out of the receiver, and re-insert it to ensure the card is properly connected.</p> <p>Exchange the connecting cord with a telephone line that operates. If the original OL/LF LED remains a steady red or yellow, the problem is with a plug-in card. Replace the line card with a spare. If the OL/LF LED for the new card is a steady red or yellow, change the line terminator card. If the OL/LF LED on the original troubled card goes out and the OL/LF indicator on the previously untroubled card lights when you swap connecting cords, the trouble is with the telephone line. Replace the telco line connecting cord.</p> <p>Notice! If the OL/LF LED is still on, the trouble might be in the telephone line. Report the trouble to the telephone company.</p>

Notice! Take immediate action if a telephone line is out of order and is the first line in a rotary or hunt group. Ask the telephone company to create a busy signal on the defective line at the telephone exchange. If emergency service is not available, call the troubled line and leave the calling handset off the hook. Do not hang up. Incoming alarm signals see a busy signal and rotor (hunt) to another line in the hunt group. This procedure does not work for Wide Area Telephone Service (WATS) lines.

Menus cannot be accessed.	Incorrect password Defective keypad panel Defective CPU card	D6600 default password: 6600. D6100IPv6 default password: 6100. Ensure that the ribbon cable connection between the CPU and the front panel is secure.
Printer works but no display.	Defective or loose cable between the CPU card and display panel or user interface card	Ensure that the ribbon cable connection between the CPU and the front panel is secure.
	Defective user interface card	Exchange the CPU Card with a known good card.
	Defective CPU	

Symptom	Problem	Solution
Operator alert buzzer cannot be silenced.	System stalled	Check the watchdog LED on the inside of the door behind the keypad. LED must flash for a running system. A solid light indicates a faulty system. Reset power cycle of the D6600 if stalled.
	Defective [Acknowledge] key	Order replacement part P6603.
	Defective user interface card	Return the D6600 for repair.

D6200 cannot connect to the D6600/D6100IPv6.	D6200 serial connection is defective, missing, or incorrect serial cable.	<p>Ensure that the cable between the PC and the D6600/D6100IPv6 is null-modem. Also ensure that the cable is not damaged. Inspect all pins on the D6600/D6100IPv6, PC, and serial cable.</p> <p>Ensure that the null-modem cable is connected to the correct COM port of the PC (as per the D6200 COM setting; COM1 through COM8). COM settings do not match. In the D6200, under the Settings Menu, select COM SETTINGS. Confirm that all settings match the configuration of the D6600 Host Programming Parameters (Menu Item 4.5 Parameters).</p> <p>On the D6600, ensure that Menu Item 4.5.9 RS-232 Direct Access Permission is set to 1.</p> <p>If upgrading software, ensure that Menu Item 4.5.7 Software Programming Enable (on the D6600/D6100IPv6) is set to 1.</p> <p>Notice! If Software Programming Enable is set to zero (0), communication between the D6200 and the D6600 is successful but the upgrades fail.</p> <p>If using COM4 through a direct connection, check that Menu Item 6.1.5 COM4 Network Adapter is set to 0.</p> <p>If using COM1 through a direct connection, check that Menu Item 6.2.5 COM1 Network Adapter is set to 0.</p> <p>Port conflicts with other applications on the host PC.</p> <p>Reboot the PC and restart the D6200 with no other applications running.</p> <p>Defective CPU terminator card.</p> <p>Defective CPU card.</p> <p>Defective PC COM port.</p>
--	---	--

Symptom	Problem	Solution
<p>D6200 cannot connect to the receiver through a network connection.</p>	<p>D6200 network connection is defective, missing, or has incorrect network cable.</p>	<p>Ensure that the Ethernet connection light on the network interface module for the PC running D6200 Software is on. This indicates a good network connection.</p> <p>Ensure that the Ethernet connection light on the Network Ethernet Module for the PC running D6200 Software is on. This indicates a good network connection.</p> <p>If using the D6600's COM4 to connect to the Network Ethernet Module, ensure that Menu Item 6.1.4 COM4 Network Adapter in the D6600 is set to 1.</p> <p>If using the D6600's COM1 to connect to the Network Ethernet Module, ensure that Menu Item 6.2.5 COM1 Network Adapter in the D6600 is set to 1.</p> <p>If using the D6100IPv6's Ethernet connection, ensure that Menu item 6.2.5 Network Adapter is set to 1.</p> <p>If communicating within the same LAN, the IP address of the PC running the D6200 software must be entered into the receiver Menu Items 6.4.1 IP Address 1, 6.4.2 IP Address 2, or 6.4.3 IP Address 3.</p> <p>If communicating over a WAN, the external IP address of the LAN with the PC running the D6200 software must be entered into the receiver's Menu Items 6.4.1 IP Address 1, 6.4.2 IP Address 2, or 6.4.3 IP Address 3.</p> <p>Ensure that Menu Item 6.4.5 Network Programming Enable in the receiver is set to 1.</p> <p>Ensure that the D6200 programming software is set up for TCP/IP network connection (select Administration → Connection Settings).</p> <p>If communicating on the same LAN, ensure that the IP address of the Network Ethernet Module or D6100IPv6 is entered correctly.</p> <p>If communicating over a WAN, ensure that the external IP address of the LAN with the Network Ethernet Module or D6100IPv6 is entered.</p> <p>Ensure that the port number entered in the D6200 matches the port number configured in the Network Ethernet Module.</p> <p>If encryption is enabled on the D6200, encryption must also be enabled on the Network Ethernet Module or D6100IPv6.</p> <p>the 16-byte key must be the same in the Network Ethernet Module or D6100IPv6 and the D6200 software.</p> <p>If communicating over a WAN, ensure that the firewalls of the LANs are configured correctly.</p> <p>For example, the Network Ethernet Module resides on one LAN and the D6200 software resides in another LAN. A WAN connects them, but the firewalls at both LANs should allow TCP and UDP packets through. Ensure that firewalls allow your selected ports to pass through.</p> <p>Contact your IT administrator.</p>

17 Specifications

Dimensions (H x W x D)	D6600	Rack mount (4U)	18 cm x 48.3 cm x 49.5 cm (7.0 in x 19.0 in x 19.5 in)	
		Standalone	18 cm x 45.0 cm x 49.5 cm (7.0 in x 17.75 in x 19.5 in)	
	D6100IPv6	Rack mount (2U)	9.0 cm. x 37.5 cm. x 25.5 cm (3.5 in x 19 in x 10 in)	
		Standalone	9.0 cm. x 30.5 cm. x 25.5 cm (3.5 in x 12.0 in x 10 in)	
Weight	D6600	8.7 kg (19 lb)		
	D6100IPv6	3 kg (7 lb)		
	AC Nominal Operating Range		120 V or 230 V	
	AC Maximum Operating Range		100 VAC to 120 VAC, 220 VAC to 240 VAC, 50 - 60 Hz 2.5 A maximum	
	Power Cord		IEC 60320 C13 type	
	Replaceable Fuse		2.5A F250V fast blow 5x20mm	
D6100IPv6 Power Input	AC Nominal Operating Range		18VAC (see specific Installation Supplement supplied with your product for your application for supplied transformer specifics)	
Current Required	D6600 with one line card installed	Required battery current		800 mA
		Required UPS AC standby current		350 mA
	For each additional line card or terminal card pair	Required additional battery current		210 mA
		Required additional UPS AC standby current		35 mA
	For network communications card	Required additional battery current		10 mA
		Required additional UPS AC standby current		10 mA
D6100IPv6	Required battery current		330 mA	
	Required UPS AC standby current		250 mA	
Standby Power	<p>The receiver includes an external battery connection and battery harness. Use 12 V rechargeable sealed lead-acid batteries.</p> <p>Standby power supply (UPS or battery) requirements: 24-hour minimum for UL Fire applications (UL864); 4-hour minimum for UL Burglary applications (UL1610).</p> <p>Refer to <i>Connecting External Batteries</i>, page 27 for battery size.</p>			
Telephone	RJ11C modular jacks, with 26 AWG or larger wire diameter.			

<p>FCC Registration</p>	<p>D6600 ESVUSA-25328-AL-N D6100IPv6 ESVAL04BD6100</p> <p>The D6600 Receiver is Federal Communications Commission (FCC) registered under Part No. 68 using the RJ11C Interconnect that can be ordered from your local telephone company.</p> <p>Notice! This equipment has been tested and found to comply with the limits for a Class A (D6600) or Class B (D6100IPv6) digital device, pursuant to part 15 of the FCC Rules. These limits are designed to provide reasonable protection against harmful interference in a residential installation. This equipment generates, uses, and can radiate radio frequency energy and, if not installed and used in accordance with the instructions, may cause harmful interference to radio communications. However, there is no guarantee that interference will not occur in a particular installation. If this equipment does cause harmful interference to radio or television reception, which can be determined by turning the equipment off and on, the user is encouraged to try to correct the interference by one or more of the following measures:</p> <ul style="list-style-type: none"> - Reorient or relocate the receiving antenna. - Increase the separation between the equipment and receiver. - Connect the equipment into an outlet on a circuit different from that to which the receiver is connected. - Consult the dealer or an experienced radio/TV technician for help. - Any modifications made to this device that are not approved by Bosch Security Systems, Inc. may void the authority granted to the user by the FCC to operate this equipment. 	
<p>Ringer Equivalence</p>	<p>0.4 B</p>	
<p>Industry Canada</p>	<p>D6600 1249A-8925A D6100IPv6 1249A-6100</p> <p>This product meets the applicable Industry Canada technical specifications. The Ringer Equivalence Number is an indication of the maximum number of devices allowed to be connected to a telephone interface. The termination on an interface may consist of any combination of devices subject only to the requirement that the sum of the RENs of all the devices does not exceed five (5.0).</p>	
<p>Ringer Equivalence</p>	<p>0.2</p>	
<p>Display</p>	<p>Screen size: (H x W)</p>	<p>0.7 in x 6.0 in (1.8 cm x 15.2 cm) dot matrix LCD (5 x 7 dots per character). Shows two separate lines of 40-characters each.</p>
	<p>LED</p>	<p>LED display section indicates receiver status and power.</p>

Inputs and Outputs	<ul style="list-style-type: none"> - One RS-232 interface port COM3 (middle connector on the CPU terminator card) for connection to an automation computer. - One RS-232 interface port COM4 (upper connector of CPU terminator card) for connection to an external serial printer, a PC, a modem, or a network. - One parallel printer port for connection to a parallel printer - Two programmable inputs (wire harness included) - Two programmable outputs (wire harness included) - Optional: One RS-232 port (COM1) for the Network Communications expansion option (D6600 only). 					
UL Canada, ULC-S304	Active Level	Protected Premise	Backup Requirements for Network Communications	Supervision of Communication Channel	Receiver	Risk
	Level A4	PSDN	See section 9.4 Connecting External Batteries	Loss of Communication Channel shall be indicated at SRC	D6600 / D6100IPv6	High
	Level P3	DACT	U See section 9.4 Connecting External Batteries	Loss of Communication Channel shall be indicated at SRC	D6600 / D6100IPv6	High
UL Canada, ULC-S559	<p>The D6600 and D6100IPv6 receiver/gateways can be used for active or passive communication. For passive communication the maximum communication supervision window is 24 hours.</p> <p>Supervision interval for IP and Cellular communication is 180 seconds (ULC).</p> <p>Both receivers require the use of the Seiko DPU-414 printer.</p> <p>The D6600 requires use of the ITS-D6686-UL Ethernet Network Adapter.</p>					

<p>D6600/D6100IPv6 Listings and Approvals</p>	<p>D6600 and D6100IPv6 Listings and Approvals</p> <ul style="list-style-type: none"> - UL Central Station Fire (UL864) - UL Central Station Burglary (UL1610) - UL Police Station Connect (UL365) - Approved for use for Encrypted Line Security when communicating via a Packet Switched Data Network (PSDN) - Approved for use for Level 4 Line Security when communicating via PSDN - NIST AES Certification - Austel Approved - CE Approved -TBR21 -EN60950 Safety -EN55022 Radiated/Conducted Emissions -EN50130-4 -EN61000-3-2 -EN61000-3-3 - FCC Part 15 Radiated/Conducted Emissions - FCC Part 68 Telecom - Industry Canada 	<ul style="list-style-type: none"> - UL Proprietary 1076 - ULC S304, Central and Monitoring Station Burglar Alarm Units, C1076, Proprietary Burglar Alarm Units and Systems - ULC-S559, Equipment for Fire Signal Receiving Centres and Systems
---	--	--

18 Service Information

(EMERGENCY DATA SHEET)

In a central station emergency, use this information to contact the necessary people and enable Bosch Security Systems, Inc. Customer Service Personnel to help you with your emergency. Ask your supervisor to provide the following information:

Supervisor's Name:	
Emergency Telephone #:	
Telephone Co. Repair Service Telephone #:	
Contact:	
Power & Light Co. Repair Service Telephone:	
Contact:	



Notice!

Bosch Security Systems, Inc. Customer Service: (800) 289-0096 (press [2] for Technical Support). When calling for emergency central station service, please tell the operator "Receiver Problem."

Receiver Software Version:	CPU: _____	Line: _____	D6200: _____
Line Card Model Numbers Installed (D6600 only)	Slot 1: _____	Slot 4: _____	Slot 7: _____
	Slot 2: _____	Slot 5: _____	Slot 8: _____
	Slot 3: _____	Slot 6: _____	

Incoming Receiver Telephone Line Numbers:	Line 1:		Line 13:		Line 25:	
	Line 2:		Line 14:		Line 26:	
	Line 3:		Line 15:		Line 27:	
	Line 4:		Line 16:		Line 28:	
	Line 5:		Line 17:		Line 29:	
	Line 6:		Line 18:		Line 30:	
	Line 7:		Line 19:		Line 31:	
	Line 8:		Line 20:		Line 32:	
	Line 9:		Line 21:			
	Line 10:		Line 22:			
	Line 11:		Line 23:			
	Line 12:		Line 24:			

Are Lines in Rotary? Yes: _____ No: _____

Type of WATS Lines? Local: _____ Statewide: _____ National: _____ Other: _____

Location of Receiver Spares Package: _____

Location of Receiver Ground Wire Connection: _____

Location of AC Power for Receiver: _____

Location of Telephone Line Jacks: _____

Receiver Connected to Computer System?: Yes: _____ No: _____

Automation System Manufacturer: _____

