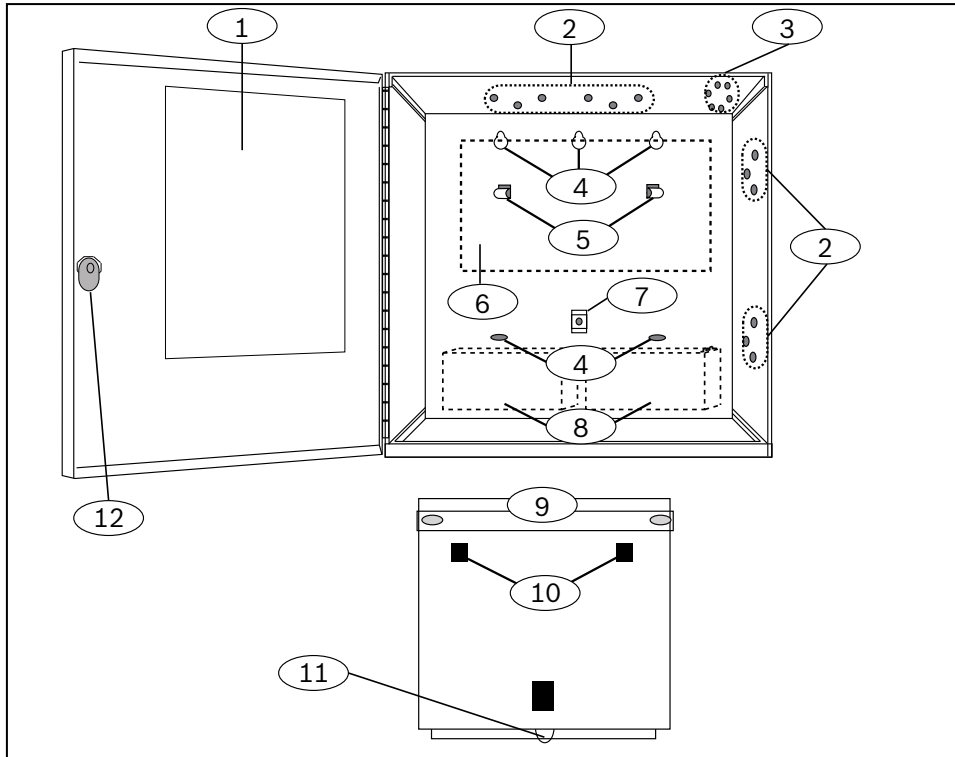


1 | Overview

This enclosure can be used for residential fire and burglary installations and commercial burglary applications that do not require attack resistance.

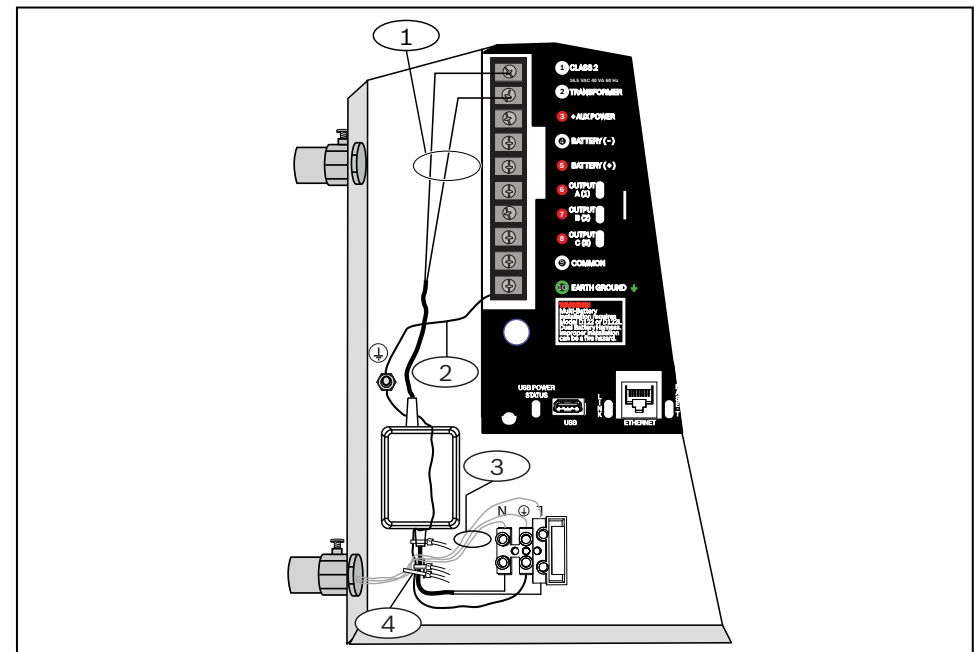
2 | Installation



Callout – Description	Callout – Description
1 – Point chart label	7 – Skirt mounting hole
2 – Module mounting locations (4)	8 – Battery mounting locations (2)
3 – Tamper switch mounting location	9 – Back of the control panel
4 – Mounting hole locations (5)	10 – Mounting skirt hook openings (2)
5 – Mounting skirt hooks (2)	11 – Screw tab
6 – Control panel mounting location	12 – Lockset

3 | Wire an optional wire-in transformer

For systems using an optional wire-in transformer, wire the transformer as shown in this section.



Callout – Description

- 1 – Low voltage AC
- 2 – Ground wire connection
- 3 – AC IN
- 4 – Wire tie the AC IN wires to the enclosure lance

4 | Specifications

Dimensions	16 in. x 16 in. x 3.5 in. (41 cm x 41 cm x 9 cm)
Color	B8103-White, D8103-Grey
Compatible tamper switches	D110 (P/N: 4998137947) or ICP-EZTS (P/N: F01U217038)
Compatible locksets (optional)	D101-448478D (Key #1358) D101F-43157D (Key #203)

Copyright

This document is the intellectual property of Bosch Security Systems, Inc. and is protected by copyright. All rights reserved.

Trademarks

All hardware and software product names used in this document are likely to be registered trademarks and must be treated accordingly.

Bosch Security Systems, Inc. product manufacturing dates

Use the serial number located on the product label and refer to the Bosch Security Systems, Inc. website at <http://www.boschsecurity.com/datecodes/>.

Bosch Security Systems, B.V.
Torenallee 49
5617 BA Eindhoven
Netherlands
www.boschsecurity.com



Enclosures

B8103/D8103



en Installation Manual

