

DS160 Series High Performance Request-to-exit Detectors



- ▶ Door monitor with sounder alert
- ▶ Sequential Logic Input (SLI)
- ▶ Internal vertical pointability
- ▶ Wrap-around coverage pattern with precise pattern control
- ▶ Up to 64 second adjustable latch time
- ▶ Selectable relay trigger mode
- ▶ Selectable fail safe/fail secure modes
- ▶ Adjustable sounder volume
- ▶ Activation LED

The DS160 Series consists of the DS160 Detector (light gray) and the DS161 Detector (black) specifically designed for Request-to-exit (REX) applications. With features such as timers, door monitor with sounder alert, and pointable coverage, the DS160 and DS161 have the flexibility to meet the most stringent REX requirements. The exclusive Sequential Logic Input (SLI) provides added security that is not offered in any other REX device.

System overview

Functions

Sequential Logic Input (SLI)

The SLI terminal allows connection of a second device to require sequential detection. This eliminates the possibility that an object that is slid through the door or underneath the door will activate the detector. This input can also be used to lock the sensor if motion is present outside the premises.

Door Monitor

The sensor can monitor a door contact to allow special control of the internal relay. For example, if the door is opened within the relay time period, the sensor can be programmed to halt the timer. If the door is not opened within a specific time period, the relay can be programmed to deactivate.

Sounder Alert

An integrated sounder can be programmed to activate if the door is left open too long. The sounder volume is fully adjustable to 85 dB.

Keycard Input

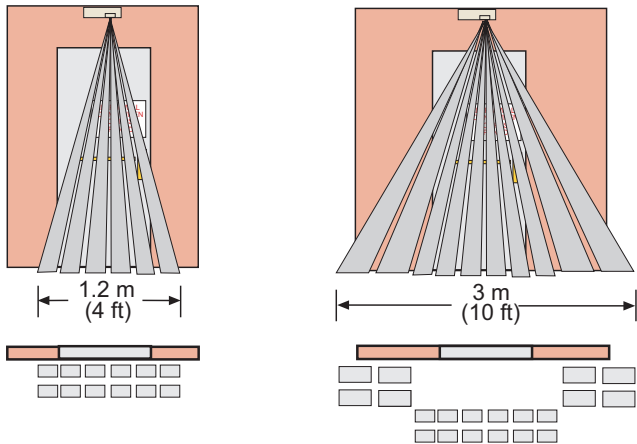
The keycard input allows the sensor relay to be controlled from an external source, such as an access control system or card reader.

Regulatory information

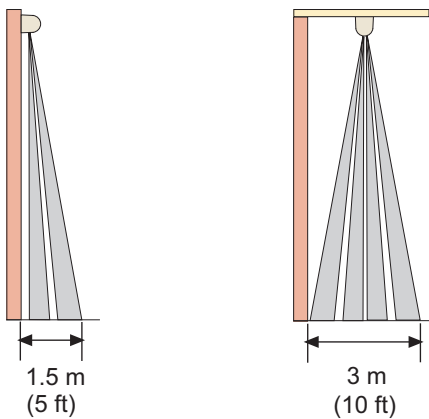
Europe Complies with EN50131-1 Grade 2

Region	Regulatory compliance/quality marks	
Europe	CE	
USA	UL	ALVY: Access Control Systems Units (UL294) [DS160, DS161]
Australia	RCM	[DS160]

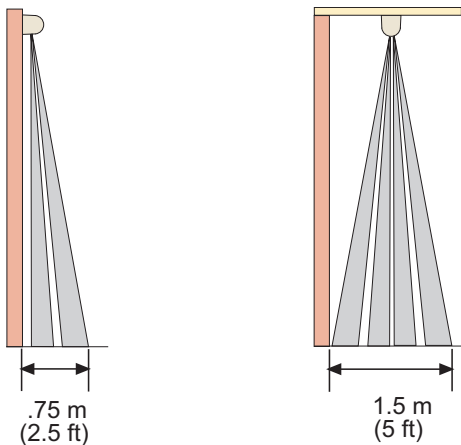
Installation/configuration notes



Front View
 Mounted on wall above door and mounted on ceiling .75 m (2.5 ft) in front of the door.



Side View
 The higher that you mount the unit, the larger the coverage area. Do not mount the DS160/DS161 more than 4.6 m (15 ft) above the floor.
 Side view of coverage pattern with the unit mounted at 4.6 m (15 ft) above the floor with the lens pointed straight down.



Side View
 The higher that you mount the unit, the larger the coverage area. Do not mount the DS160/DS161 more than 4.6 m (15 ft) above the floor.

Side view of coverage pattern with the unit mounted at 4.6 m (15 ft) above the floor with the lens pointed straight down.

Coverage Information

The coverage (detection area) varies depending on the mounting height above the floor, angle of the lens, and whether the unit is mounted on a wall above the door or on the ceiling. The coverage is 2.4 m x 3 m (8 ft x 10 ft) The coverage patterns for the detector at a height of 2.3 m (7.5 ft) are shown. The coverage pattern increases or decreases with height and detector alignment.

i Notice

When you mount the unit on the wall and the lens points straight down, some detection zones point toward the wall and do not detect movement.

The diagrams depict views of the coverage pattern with the detector mounted at 2.3 m (7.5 ft) above the floor with the lens pointed straight down. Zones that are pointed toward the wall are not shown.

Parts included

Technical specifications

Environmental

Operating Temperature:	-29°C to +49°C (-20°F to +120°F) For UL Certificated installations, 0°C to +49°C (+32°F to +120°F)
Radio Frequency Interference (RFI) Immunity:	No alarm or setup on critical frequencies in the range from 26 MHz to 1000 MHz at 50 V/m

Complies with Environmental Class II (EN50130-5)

Mechanical

Dimensions:	4.5 cm x 17.1cm x 4.4 cm (1.80 in. x 6.75 in. x 1.75 in.)
Material:	High impact ABS plastic enclosure

Modes

Power Loss Default:	Programmable fail-safe or fail-secure modes.
Timer:	Programmable reset accumulative or non-reset counting mode.

Electrical

Current Draw:	8 mA nominal standby current, 39 mA at 12 VDC in alarm
---------------	--

Voltage:	12 VAC or VDC to 30 VAC or VDC
Alarm Output:	Two Form C relay contacts each rated 1 A at 30 VAC or VDC for resistive loads
Indicators:	1 activation LED
Relay Latch Time:	Adjustable from 0.5 sec to 64 sec.

Ordering information

DS160 Request-to-exit sensor, sounder

For use in request-to-exit (REX) applications. Provides PIR 2.4 m x 3 m (8 ft x 10 ft) coverage, timers, door monitor with sounder alert, and pointable coverage.
Order number **DS160 | 4.998.800.238 F.01U.364.868 F.01U.405.131**

DS161 Request-to-exit sensor, black, sounder

Black enclosure. For use in Request-to-EXit (REX) applications. Provides PIR, 2.4 m x 3 m (8 ft x 10 ft) coverage, timers, door monitor with sounder alert, and pointable coverage.
Order number **DS161 | 4.998.800.239 F.01U.364.869 F.01U.405.132**

Accessories

TP160 Trim plate for DS150 and DS160

A light gray trim plate used when mounting the detector over a standard single-gang box.
Order number **TP160 | 4.998.800.318**

TP161 Trim plate for DS151 and DS161, black

A black trim plate used when mounting the sensor over a standard single-gang box.
Order number **TP161 | 4.998.130.552**

Represented by:

Europe, Middle East, Africa:
Bosch Security Systems B.V.
P.O. Box 80002
5600 JB Eindhoven, The Netherlands
www.boschsecurity.com/xc/en/contact/
www.boschsecurity.com

Germany:
Bosch Sicherheitssysteme GmbH
Robert-Bosch-Platz 1
D-70839 Gerlingen
www.boschsecurity.com

North America:
Bosch Security Systems, LLC
130 Perinton Parkway
Fairport, New York, 14450, USA
www.boschsecurity.com

Asia-Pacific:
Robert Bosch (SEA) Pte Ltd, Security Systems
11 Bishan Street 21
Singapore 573943
www.boschsecurity.com/xc/en/contact/
www.boschsecurity.com