

NDA-5080-PIP Pendant interface plate, 148mm



This camera-specific accessory is designed for use with Bosch's line of universal accessories. The modular camera mounts & accessories are a family of mounts, mounting adapters, pendant interface plates and surveillance cabinets which can be used with a wide range of Bosch cameras. The accessories are easy to install and can be combined to simplify installation in multiple locations while retaining the same look and feel.

Functions

The NDA-5080-PIP is designed especially for use with the FLEXIDOME panoramic 5100i IR family. It provides a safe and robust solution to mount the camera to:

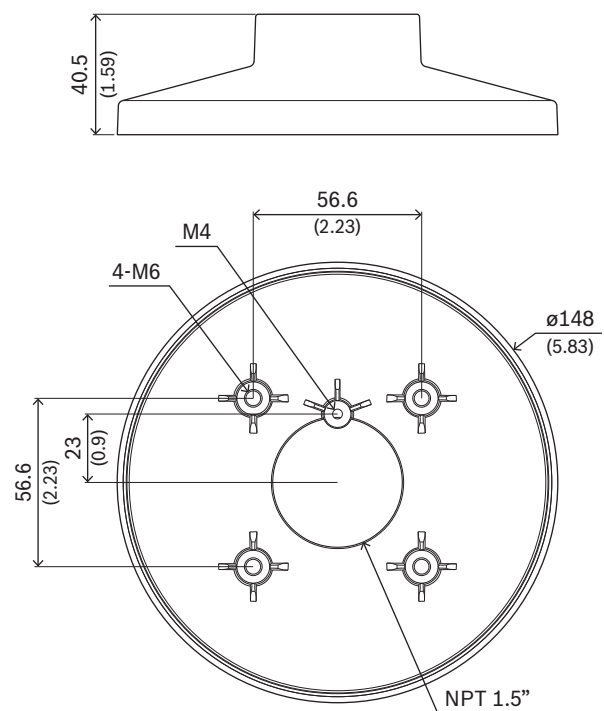
- NDA-U-WMT Pendant wall mount
- NDA-U-PMT Pendant pipe mount

Certifications and approvals

Environmental	
Salt mist	IEC60068-2-52
Vibration	NEMA TS2
Shock	IEC60068-2-27
Impact	IK10

- ▶ Modular design for fast and easy installation
- ▶ One accessory line for multiple camera families from Bosch
- ▶ Weather resistant finish to maintain cosmetic appearance
- ▶ Allows installation of your camera to a wall mount (NDA-U-WMT) or pendant pipe mount (NDA-U-PMT)

Installation/configuration notes



Dimensions in mm (inch)

Parts included

Quantity	Component
1	Pendant interface plate

Quantity	Component
4	M6 x 12 mm T20 screw
1	M4 x 12 mm T20 screw
1	Quick installation guide

Technical specifications

Mechanical

Dimension (Ø x H) (mm)	148 mm x 40.50 mm
Dimension (Ø x H) (in)	5.80 in x 1.60 in
Weight (g)	220 g
Weight (lb)	0.49 lb
Color in RAL	RAL 9003 Signal white
Material	Aluminum

Ordering information

NDA-5080-PIP Pendant interface plate, 148mm

Pendant interface plate for

FLEXIDOME panoramic 5100i IR

Order number **NDA-5080-PIP | F.01U.389.607**

Represented by:

Europe, Middle East, Africa:
 Bosch Security Systems B.V.
 P.O. Box 80002
 5600 JB Eindhoven, The Netherlands
 Phone: + 31 40 2577 284
 emea.securitysystems@bosch.com
 emea.boschsecurity.com

Germany:
 Bosch Sicherheitssysteme GmbH
 Robert-Bosch-Ring 5
 85630 Grasbrunn
 Germany
 www.boschsecurity.com

North America:
 Bosch Security Systems, LLC
 130 Perinton Parkway
 Fairport, New York, 14450, USA
 Phone: +1 800 289 0096
 Fax: +1 585 223 9180
 onlinehelp@us.bosch.com
 www.boschsecurity.us

Asia-Pacific:
 Robert Bosch (SEA) Pte Ltd, Security Systems
 11 Bishan Street 21
 Singapore 573943
 Phone: +65 6571 2808
 Fax: +65 6571 2699
 apr.securitysystems@bosch.com
 www.boschsecurity.asia