

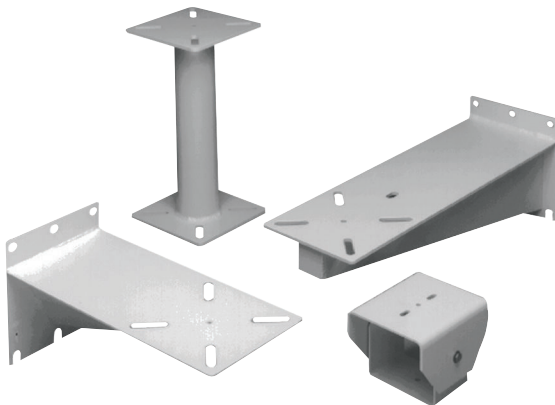
# LTC 921x, LTC 922x Versatile Mounts

www.boschsecurity.com



**BOSCH**

Invented for life



- ▶ Maximum Load: 45 kg (100 lb) and 90 kg (200 lb)
- ▶ Attractive Appearance
- ▶ Corrosion-resistant
- ▶ Versatile Mounting Hole Pattern
- ▶ Wide Range of Models

Our wide selection of indoor/outdoor mounting brackets includes column, wall, pole, corner, and adjustable head mounts. These versatile mounts accommodate fixed cameras, environmental camera housings and pan/tilts.

All units are made of a lightweight aluminum alloy with a corrosion-free exterior coating. These products meet the Military Salt Atmosphere Standard MIL-STD-810E, Method 509, Procedure I. The column and wall mounts feature welded construction providing an extremely rigid camera mount one-third the weight of steel. Installation of a wide range of devices is facilitated with generous wrench and socket clearances. Unique slotted mounting hole patterns are on the mounting surface.

The LTC 9214/00 is a 356 mm (14 in) column mount for medium and heavy duty camera assembly installations. It is constructed of 76 mm (3 in) OD aluminum tubing with welded end flanges. The center of each flange is fitted with a 1/4-20 threaded stainless steel insert for center mounting.

The LTC 9224/00 is identical to the LTC 9214/00, except the overall length is 610 mm (24 in).

The LTC 9216/00 is a 409 mm (16 in) wall mount, designed for light to medium duty camera installations.

The LTC 9222/00 is a 564 mm (22 in) wall mount, designed for heavy duty cameras installations.

The LTC 9227/00 is an adjustable head bracket, designed for medium and heavy duty fixed camera installations. This easy-to-assemble bracket includes stainless steel assembly hardware and neoprene washers.

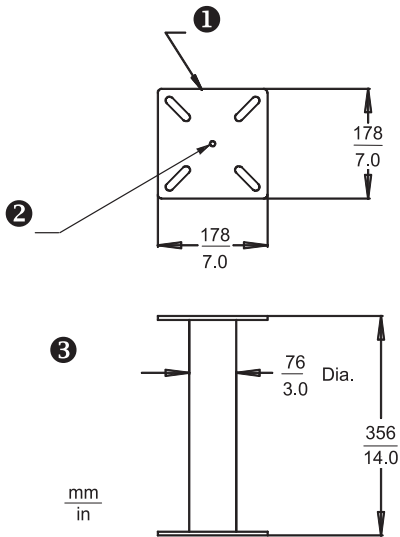
The LTC 9227/00 can be used with all mounts in this series.

The LTC 9228/00 flange bracket is used to increase the weight distribution when the LTC 9216/00 or LTC 9222/00 wall mounts are required for use on insufficient load bearing surfaces.

The LTC 9225/00 pole mount is a mounting bracket designed to install LTC 9216/00 and LTC 9222/00 wall mounts to poles measuring 76 mm (3 in) to 381 mm (15 in) in diameter.

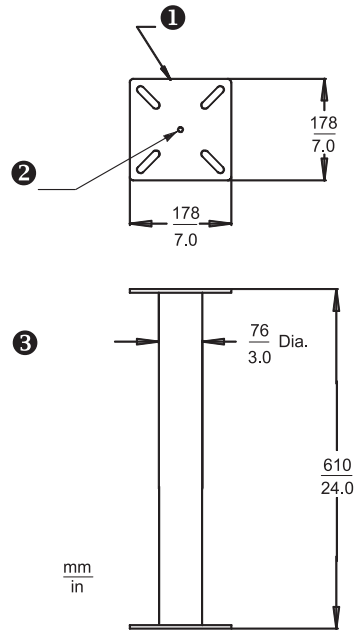
The LTC 9226/00 corner bracket is an adapter designed to install the LTC 9216/00 or LTC 9222/00 wall mounts to a building corner.

Installation/configuration notes



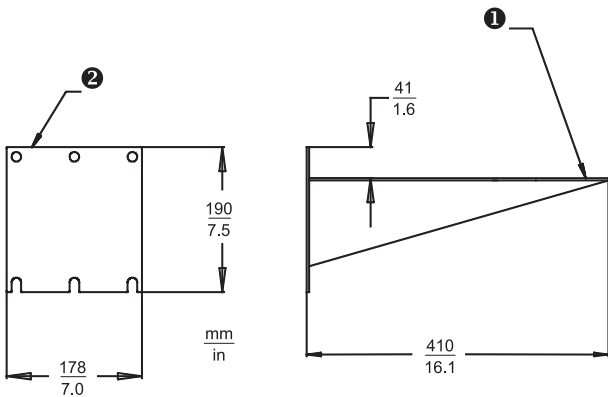
LTC 9214/00 14-inch Column Mount

- 1 Bolt Circle View same as wall mounts
- 2 1/4-20 Top and bottom
- 3 Side View



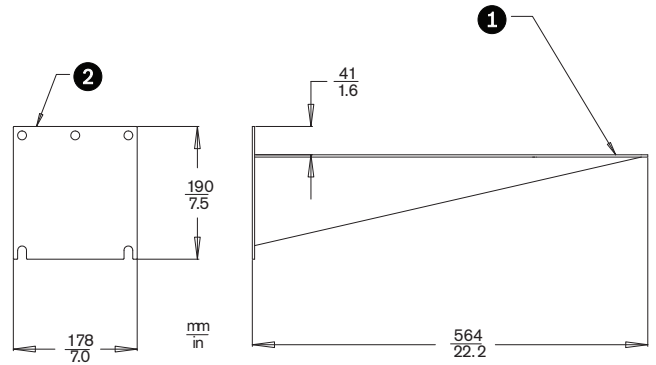
LTC9224/00 16-inch Wall Mount

- 1 Bolt circle same as wall mount
- 2 1/4 -20 Top and Bottom
- 3 Side view



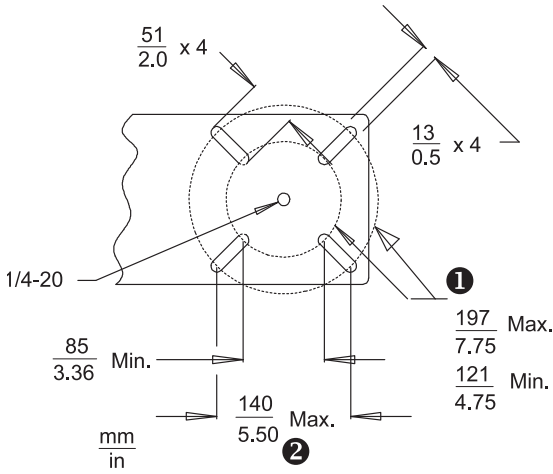
LTC 9216/00 14-inch Column Mount

- 1 See detail A for Top view of mounting pattern
- 2 See detail B



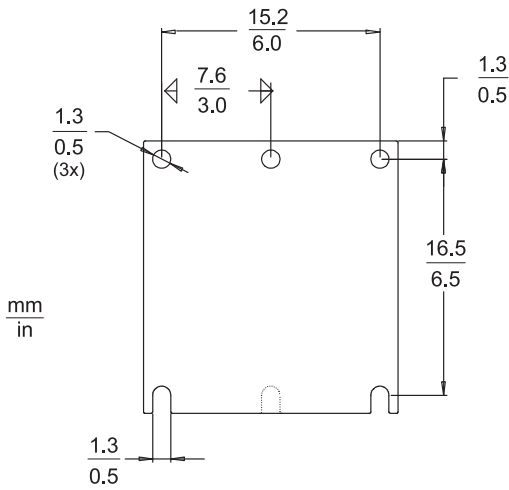
LTC 9222/00 22-inch Wall Mount

- 1 See detail A for top view of mounting pattern
- 2 See detail B

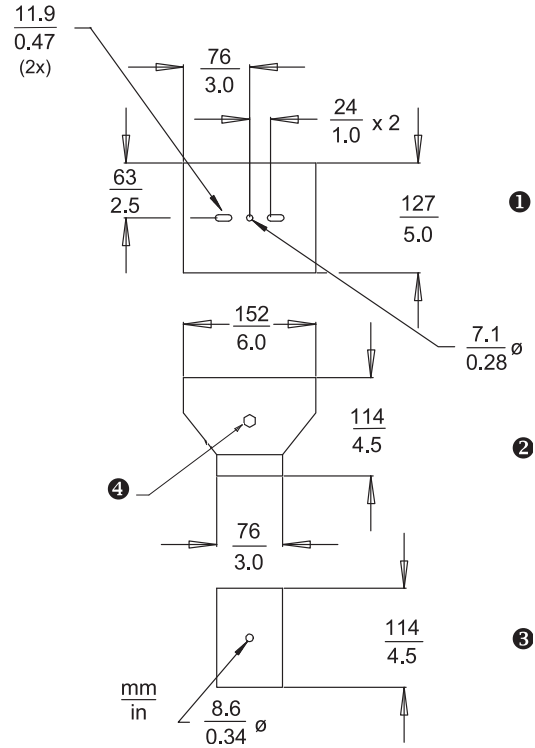


Detail A – LTC 9216/00 and LTC 9222/00 Bolt Circle Pattern

- 1 Mounting Bolt Circles
- 2 Bolt Squares

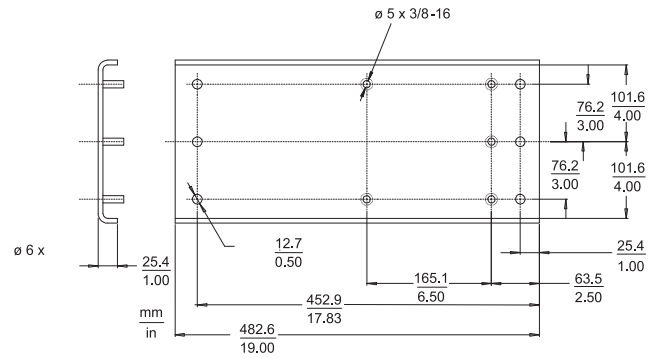


Detail B – LTC 9216 and LTC 9222/00 Wall Mount

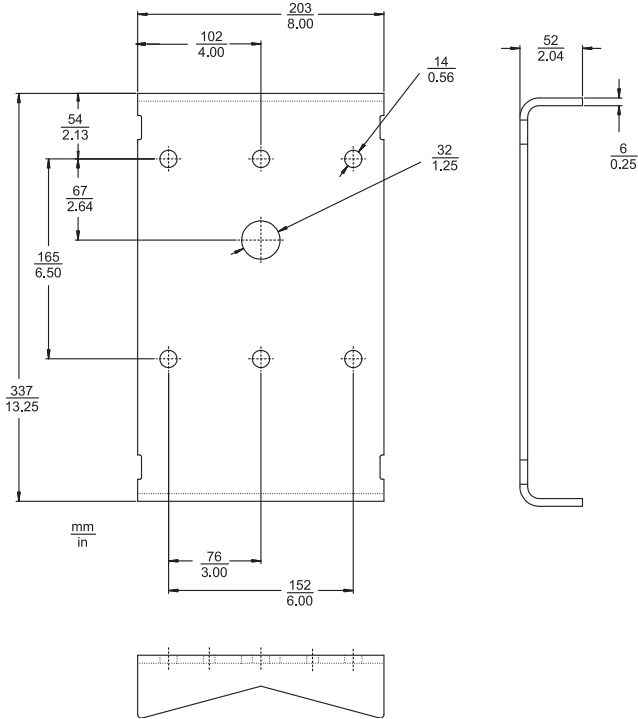


LTC 9227/00 Adjustable Head Mount

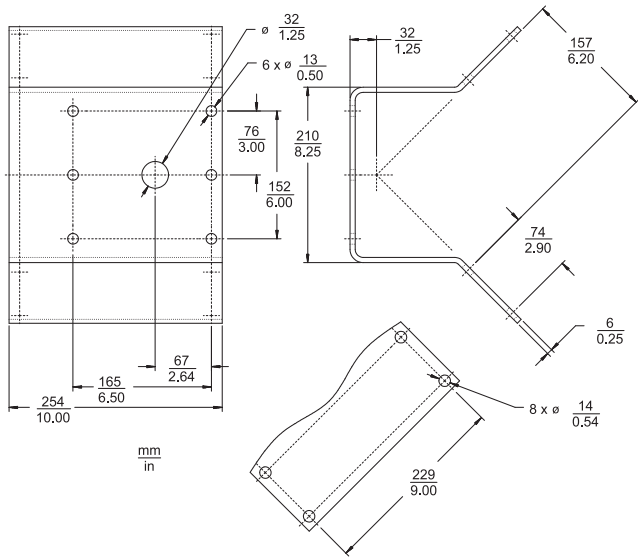
- 1 Top view
- 2 Side view
- 3 Bottom view
- 4 Tilt adjust



LTC 9228/00 Flange Bracket Mount



LTC 9225/00 Pole Mount



LTC 9226/00 Corner Bracket

**Technical specifications**

**LTC 9214/00 356 mm (14 inch) and LTC 9224/00 610 mm (24 inch)**

Column Mounts	
Maximum Rated Load	
Upright	90.6 kg (200 lb)
Inverted	45.3 kg (100 lb)
Mounting Hardware	Not furnished

Finish	Light gray
Weight	
LTC 9214/00	2.3 kg (5.1 lb)
LTC 9224/00	3.3 kg (7.2 lb)

**LTC 9216/00 409 mm (16 inch) and LTC 9222/00 564 mm (22 inch)**

Wall Mounts	
Maximum Rated Load	
LTC 9216/00	45.3 kg (100 lb)
LTC 9222/00	90.6 kg (200 lb)
Mounting Hardware	Not furnished
Finish	Light gray
Weight	
LTC 9216/00	1.6 kg (3.5 lb)
LTC 9222/00	2.9 kg (6.5 lb)



**Notice**

Do not mount the LTC 9216/00 Or LTC 9222/00 Wall Mounts in an inverted position.

**LTC 9227/00 Adjustable Head Mount**

Maximum Rated Load	45.3 kg (100 lb)
Mounting Hardware	Not furnished
Finish	Light gray
Weight	0.55 kg (1.2 lb)

**LTC 9228/00 Flange Bracket**

Maximum Rated Load	45.3 kg (100 lb)
Mounting Hardware	(5) 3/8-16 x 1 1/4 studs, (5) 3/8 flat washers, and (5) 3/8-16 lock nuts
Finish	Light gray
Weight	2.1 kg (4.6 lb)

**LTC 9225/00 Pole Mount**

Maximum Rated Load	45.3 kg (100 lb)
Mounting Hardware	Two (2) 5 ft stainless steel straps, two (2) banding clips, six (6) hex head cap screws, six (6) flat and lock washers, and six (6) hex nuts furnished with unit
Accessory	TC9311PM3T strapping tool available
Finish	Light gray
Weight	1.4 kg (3.0 lb)

**LTC 9226/00 Corner Bracket**

Maximum Rated Load	45.3 kg (100 lb)
Mounting Hardware	Not furnished
Finish	Light gray
Weight	2.9 kg (6.5 lb)

**Ordering information****LTC 9224/00 Versatile Mount**

for 24-inch, 90.6 kg (200 lb) max load upright, light gray finish

Order number **LTC 9224/00**

**LTC 9216/00 Versatile Mount**

for 16-inch, 45.3 kg (100 lb) max load, light gray finish

Order number **LTC 9216/00**

**LTC 9228/00 Versatile Mount**

for LTC 9216/00 and LTC 9222/00 wall mounts, 45.3 kg (100 lb) max load, flange bracket

Order number **LTC 9228/00**

**LTC 9225/00 Pole Mount**

45.3 kg (100 lb) max load, pole mount, light gray finish

Order number **LTC 9225/00**

**LTC 9226/00 Versatile Mount**

for LTC 9216 and LTC 9222, 45.3 kg (100 lb) max load, corner mount bracket, light gray finish

Order number **LTC 9226/00**

**Represented by:****Americas:**

Bosch Security Systems, Inc.  
130 Perinton Parkway  
Fairport, New York, 14450, USA  
Phone: +1 800 289 0096  
Fax: +1 585 223 9180  
security.sales@us.bosch.com  
www.boschsecurity.us

**Europe, Middle East, Africa:**

Bosch Security Systems B.V.  
P.O. Box 80002  
5617 BA Eindhoven, The Netherlands  
Phone: + 31 40 2577 284  
Fax: +31 40 2577 330  
emea.securitysystems@bosch.com  
www.boschsecurity.com

**Asia-Pacific:**

Robert Bosch (SEA) Pte Ltd, Security Systems  
11 Bishan Street 21  
Singapore 573943  
Phone: +65 6571 2808  
Fax: +65 6571 2699  
apr.securitysystems@bosch.com  
www.boschsecurity.asia

**China:**

Bosch (Shanghai) Security Systems Ltd.  
201 Building, No. 333 Fuquan Road  
North IBP  
Changning District, Shanghai  
200335 China  
Phone +86 21 22181111  
Fax: +86 21 22182398  
www.boschsecurity.com.cn

**America Latina:**

Robert Bosch Ltda Security Systems Division  
Via Anhanguera, Km 98  
CEP 13065-900  
Campinas, Sao Paulo, Brazil  
Phone: +55 19 2103 2860  
Fax: +55 19 2103 2862  
latam.boschsecurity@bosch.com  
www.boschsecurity.com