

LTC 9312/00 and LTC 9412/00 Series Indoor Housings

www.boschsecurity.com



BOSCH
Invented for life



- ▶ 300 mm (12 in) dome
- ▶ 360° Adjustable viewing direction
- ▶ Suspended ceiling & pendant models
- ▶ Covert inner liner conceals camera position
- ▶ Multiple camera capacity with accessories

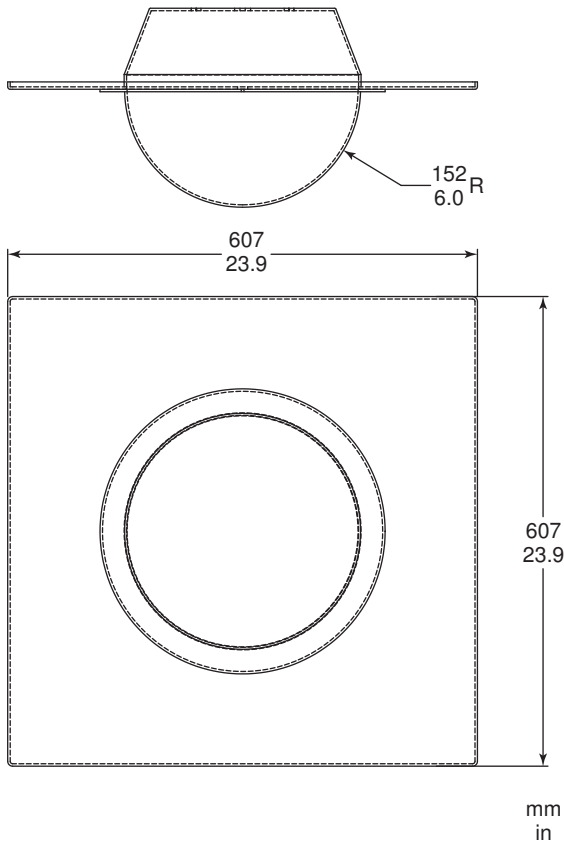
The Bosch LTC 9312/00 and LTC 9412/00 are indoor, discreet, domed housings designed for fixed cameras. The LTC 9312/00 is a flush mounted dome for use in a suspended ceiling.

The LTC 9412/00 is a pendant mounted dome which can be suspended using 1.2-inch conduit or equivalent tubing.

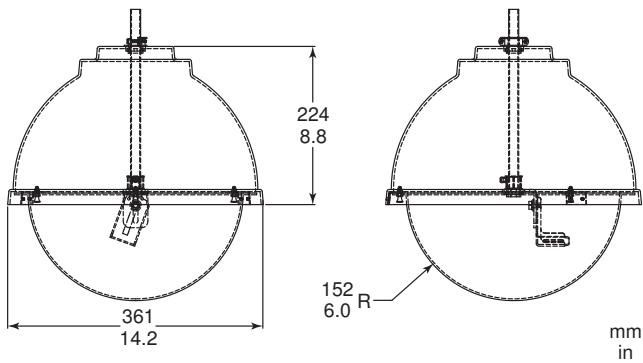
The domes allow 360° viewing, enabling the fixed camera to be mounted at any angle using the adjustable swivel head.

These units include a covert inner liner which hides the camera, thus concealing its position. As well, both the LTC 9312/00 and LTC 9412/00 can accommodate up to 2 cameras, providing additional viewing capabilities. These domes will accept 1/4-inch, 1/3-inch and 1/2-inch format CCD monochrome and color cameras.

Installation/configuration notes



Dimensional Outline



Dimensional Outline

Parts included

Quant.	Component
1	LTC 9312/00 / LTC 9412/00 Series Indoor Housing

Technical specifications

LTC 9312/00 Flush Mount

300 mm (12 in) diameter indoor flush mounted dome with fixed camera bracket, dust cover, inner liner, and tinted lower dome.

Mechanical

Camera/Lens Size: Maximum of 2 cameras, size 20.3 cm (8 in) length.

Cable Entry	Through opening located on side of dome.
F/stop Loss	1 to 1.5
Mounting	Mounts in suspended ceiling.
Construction/Finish	Acrylic dome on metal housing.
Weight	7.25 kg (16 lb)

Accessories

FM2	For up to two cameras
-----	-----------------------

LTC 9412/00 Pendant Mount

300 mm (12 in) diameter indoor pendant mounted dome with fixed camera bracket, inner liner, and tinted lower dome.

Mechanical

Camera/Lens Size	Maximum of 2 cameras, size 20.3 cm (8 in) length.
Cable Entry	Through 1/2-inch conduit knockout through top of housing.
F/stop Loss	1 to 1.5
Mounting	Pendant mounted
Construction/Finish	Acrylic dome on metal housing
Weight	5.4 kg (12 lb)

Accessories

MCB4	For up to two cameras
------	-----------------------

Ordering information

LTC 9312/00 Housings Indoor

for camera/lens up to 300 mm (12 inch), drop ceiling mount

Order number **LTC9312/00**

LTC 9412/00 Housings Indoor

for camera/lens up to 300 mm (12-inch), pendant mount, tinted

Order number **LTC9412/00**

Accessories

FM1 Camera Mount

long, mounts extra cameras in LTC 9312/00 Dome housings

Order number **FM1**

FM2 Camera Mount

short, mounts extra cameras in LTC 9312/00 Dome housings

Order number **FM2**

TC9311PM3T Installation Tool

for TC9311PM3, LTC 9213 & LTC 9225 pole mount adapters

Order number **TC9311PM3T**

Represented by:

Americas:

Bosch Security Systems, Inc.
130 Perinton Parkway
Fairport, New York, 14450, USA
Phone: +1 800 289 0096
Fax: +1 585 223 9180
security.sales@us.bosch.com
www.boschsecurity.us

Europe, Middle East, Africa:

Bosch Security Systems B.V.
P.O. Box 80002
5617 BA Eindhoven, The Netherlands
Phone: + 31 40 2577 284
Fax: +31 40 2577 330
emea.securitysystems@bosch.com
www.boschsecurity.com

Asia-Pacific:

Robert Bosch (SEA) Pte Ltd, Security Systems
11 Bishan Street 21
Singapore 573943
Phone: +65 6571 2808
Fax: +65 6571 2699
apr.securitysystems@bosch.com
www.boschsecurity.asia

China:

Bosch (Shanghai) Security Systems Ltd.
201 Building, No. 333 Fuquan Road
North IBP
Changning District, Shanghai
200335 China
Phone +86 21 22181111
Fax: +86 21 22182398
www.boschsecurity.com.cn

America Latina:

Robert Bosch Ltda Security Systems Division
Via Anhanguera, Km 98
CEP 13065-900
Campinas, Sao Paulo, Brazil
Phone: +55 19 2103 2860
Fax: +55 19 2103 2862
latam.boschsecurity@bosch.com
www.boschsecurity.com