

IR Illuminator 5000 XR



- ▶ Integrated adjustable photocell
- ▶ Adjustable IR intensity
- ▶ Interchangeable beam pattern diffusers to match beam to camera
- ▶ Telemetry input and photocell output for external switching
- ▶ Self-cleaning lens coating technology

The infrared illuminator provides covert or semi-covert lighting for extra long-range indoor and outdoor surveillance applications. IR illumination dramatically improves night-time imaging, and reduces noise and bit rates.

The set of interchangeable diffuser lenses means that beam patterns can be selected that match your application to provide accurately illuminated scenes. The self-cleaning window reduces maintenance requirements. Specifically designed for energy efficient operation, the illuminator can be powered directly from any 12 to 32 VDC supply for faster, flexible, cost effective installations.

System overview

Energy efficient surface-mount high-power LEDs deliver maximum illumination with reduced power consumption. Advanced electronic control circuitry delivers improved thermal management, long life and low cost of ownership. A pressure equalization valve prevents thermal expansion and pressure cycling. Easy access to power and photo cell adjustment facilitates quick and easy installation.

Regulatory information

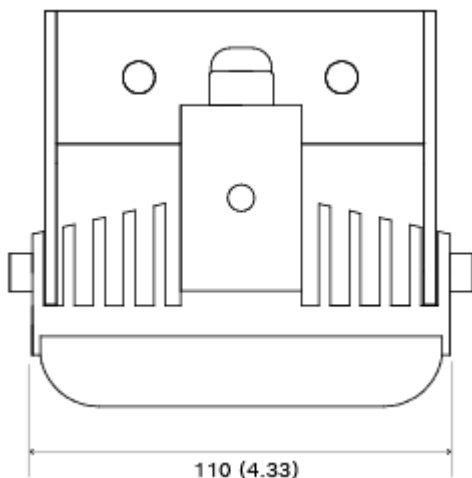
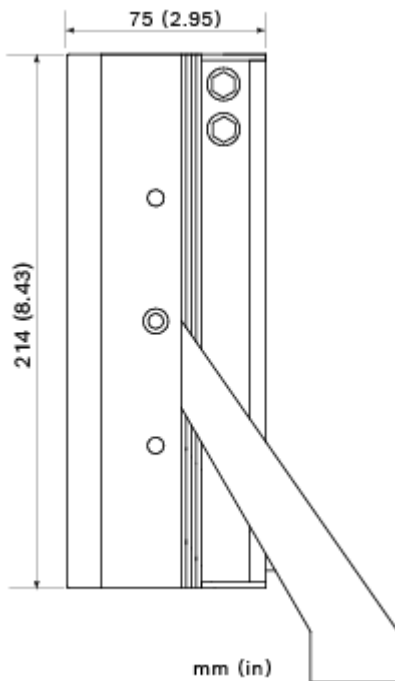
Standards	Type
CE-EMC	EN 61547 (Lighting-Immunity)
	EN 55015 (Lighting-Emission)
	EN 62493(Lighting EMF)
	EN 50130-4 (Alarm EMC)

Standards	Type
Safety	
CE-LVD	EN-60598-1 (Luminaires-General)
	EN-60598-2-1 (Luminaires)
LED	EN 62471 Risk group 2 (LED safety)
Environmental	
	IEC / EN 60529 IP66
	IEC / EN 62262 IK09
	EN50130-5 Class IV (Alarm-environmental)
	EN 50581 RoHS,
USA cULus	
	UL 2108 Low Voltage Lighting Systems
	UL 8750 Light Emitting Diode (LED) equipment for use in lighting systems
	CSA C22.2 No. 250.0-08 Luminaires
	FCC, Class B
AUS	RCM AS / NZS CISPR 22 Class B

Region	Regulatory compliance/quality marks
Europe	CE
USA	UL

Installation/configuration notes

Dimensions



Use only one of these three Power supply units with this product:

- PSU-IIR-35
- PSU-IIR-60
- PSU-IIR-100

Technical specifications

Power

Power supply	12 to 32 VDC
--------------	--------------

Power

Power consumption	52 W
-------------------	------

Optical

Wavelength	850 nm or 940 nm
IR control	Adjustable IR intensity (10% to 100%)
Day/night switch	Photocell, sensitivity adjustable (20 lx to 70 lx)
Beam angles	10°, 30°, 60°, and 95°

Range 850 nm

Beam pattern diffuser	Achievable Distance*	HFOV
10°	308 m (1010 ft)	54 m (177 ft)
30°	154 m (505 ft)	83 m (271 ft)
60°	98 m (322 ft)	113 m (371 ft)
95°	49 m (161 ft)	107 m (351 ft)

Range 940 nm

Beam pattern diffuser	Achievable Distance*	HFOV
10°	189 m (620 ft)	33 m (108 ft)
30°	91 m (299 ft)	49 m (160 ft)
60°	56 m (184 ft)	65 m (212 ft)
95°	28 m (92 ft)	61 m (201 ft)

* Actual illumination distance achieved is dependent on camera and lens characteristics.

Mechanical

Housing	Robust anodized aluminum extrusion, black
Front window	Polycarbonate high transmittance (vandal-resistant) with self-cleaning technology
Mount	Black powder coated stainless steel U-bracket (adjustable with M6 socket-head wrench)
Cable	3 m (9 ft)
Dimensions (W x H x D)	110 x 214 x 75 mm (4.33 x 8.43 x 2.95 in)
Bracket dimensions (W x H x D)	110 x 125 x 35 mm (4.33 x 4.92 x 1.38 in)
Weight	1.84 kg (4.1 lbs)

Mechanical

Bracket weight	0.2 kg (0.44 lbs)
----------------	-------------------

Environmental

Operation Temperature Range	-50 °C to +50 °C (-58 °F to +122 °F)
-----------------------------	--------------------------------------

Protection	IP66
------------	------

Ordering information**IIR-50850-XR Illuminator, 850nm, extra range**

Extra long range IR illuminator

850 nm

Order number **IIR-50850-XR****IIR-50940-XR Illuminator, 940nm, extra range**

Extra long range IR illuminator

940 nm

Order number **IIR-50940-XR****Accessories****IIR-MNT-SLB Bracket for illuminator, single L, black**

Illuminator single L-bracket, black

Order number **IIR-MNT-SLB****IIR-MNT-DLB Bracket for illuminator, double L, black**

Illuminator double L-bracket, black

Order number **IIR-MNT-DLB****IIR-MNT-TLB Bracket for illuminator, triple L, black**

Illuminator triple L-bracket, black

Order number **IIR-MNT-TLB****IIR-MNT-PMB Bracket for illuminator, pole mount**

Illuminator pole mount bracket, black

Order number **IIR-MNT-PMB****PSU-IIR-35 Power supply, 100-240VAC/24VDC, 1.46A**

Constant Voltage, 24 VDC, 35W power supply designed for LED lighting applications. 100-240VAC in, 1.46A out. Aluminum case rated IP67.

Order number **PSU-IIR-35****PSU-IIR-60 Power supply, 100-240VAC/24VDC, 2.5A**

Constant Voltage, 24 VDC, 60W power supply designed for LED lighting applications. 100-240VAC in, 2.5A out. Aluminum case rated IP67.

Order number **PSU-IIR-60****PSU-IIR-100 Power supply, 100-240VAC/24VDC, 4.17A**

Constant Voltage 24 VDC, 100W power supply designed for LED lighting applications. 100-240VAC in, 4.17A out. Aluminum case rated IP67.

Order number **PSU-IIR-100****Services****EWE-IIR850-IW 12 mths wrty ext IR Illuminator 850 nm**

12 months warranty extension

Order number **EWE-IIR850-IW****EWE-IIR940-IW 12 mths wrty ext IR Illuminator 940 nm**

12 months warranty extension

Order number **EWE-IIR940-IW****Represented by:**

Europe, Middle East, Africa:
Bosch Security Systems B.V.
P.O. Box 80002
5600 JB Eindhoven, The Netherlands
www.boschsecurity.com/xc/en/contact/
www.boschsecurity.com

Germany:
Bosch Sicherheitssysteme GmbH
Robert-Bosch-Platz 1
D-70839 Gerlingen
www.boschsecurity.com

North America:
Bosch Security Systems, LLC
130 Perinton Parkway
Fairport, New York, 14450, USA
www.boschsecurity.com

Asia-Pacific:
Robert Bosch (SEA) Pte Ltd, Security Systems
11 Bishan Street 21
Singapore 573943
www.boschsecurity.com/xc/en/contact/
www.boschsecurity.com