

IIR-50850-LR Illuminator, 850nm, long range



The infrared illuminator provides covert or semi-covert lighting for long-range indoor and outdoor surveillance applications. IR illumination dramatically improves night-time imaging, and reduces noise and bit rates.

The set of interchangeable diffuser lenses means that beam patterns can be selected that match your application to provide accurately illuminated scenes. The self-cleaning window reduces maintenance requirements. Specifically designed for energy efficient operation, the illuminator can be powered directly from any 12 to 32 VDC supply for faster, flexible, cost effective installations.

System overview

Energy efficient surface-mount high-power LEDs deliver maximum illumination with reduced power consumption. Advanced electronic control circuitry delivers improved thermal management, long life and low cost of ownership. A pressure equalization valve prevents thermal expansion and pressure cycling. Easy access to power and photo cell adjustment facilitates quick and easy installation.

Regulatory information

| Standards | Type |
|---------------|------------------------------|
| CE-EMC | EN 61547 (Lighting-Immunity) |
| | EN 55015 (Lighting-Emission) |
| | EN 62493(Lighting EMF) |
| | EN 50130-4 (Alarm EMC) |

- ▶ Adjustable IR intensity
- ▶ Integrated adjustable photocell
- ▶ Interchangeable beam pattern diffusers to match beam to camera
- ▶ Self-cleaning lens coating technology
- ▶ Telemetry input and photocell output for external switching

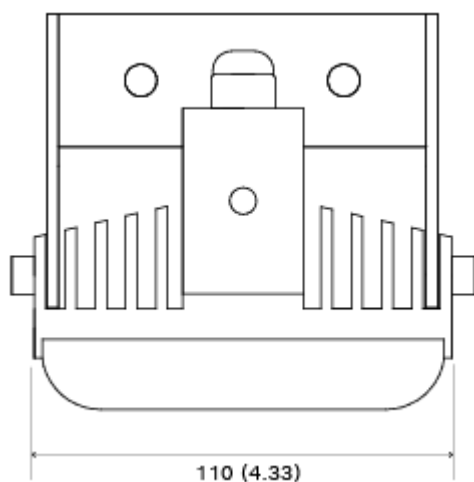
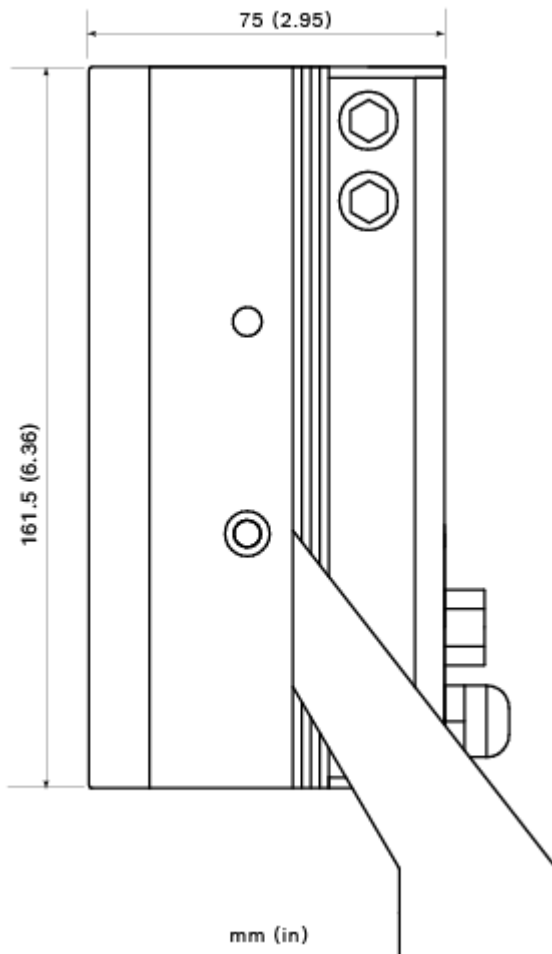
| Standards | Type |
|----------------------|--|
| Safety | |
| CE-LVD | EN-60598-1 (Luminaires-General) |
| | EN-60598-2-1 (Luminaires) |
| LED | EN 62471 Risk group 2 (LED safety) |
| Environmental | |
| | IEC / EN 60529 IP66 |
| | IEC / EN 62262 IK09 |
| | EN50130-5 Class IV (Alarm-environmental) |
| | EN 50581 RoHS, |
| USA cULus | |
| | UL 2108 Low Voltage Lighting Systems |
| | UL 8750 Light Emitting Diode (LED) equipment for use in lighting systems |
| | CSA C22.2 No. 250.0-08 Luminaires |
| | FCC, Class B |
| AUS | RCM AS / NZS CISPR 22 Class B |

| Region | Regulatory compliance/quality marks |
|--------|-------------------------------------|
| Europe | CE |
| USA | UL |

| Region | Regulatory compliance/quality marks |
|---------------|-------------------------------------|
| Great Britain | UKCA |

Installation/configuration notes

Dimensions



Use only one of these three Power supply units with this product:

- PSU-IIR-35

- PSU-IIR-60
- PSU-IIR-100

Parts included

| Quantity | Component |
|----------|-----------------------------|
| 1 | IR illuminator with bracket |
| 5 | Beam pattern diffusers |
| 1 | Installation Guide |

Technical specifications

| Power | |
|-------------------|--------------|
| Power supply | 12 to 32 VDC |
| Power consumption | 39 W |

| Optical | |
|------------------|--|
| Wavelength | 850 nm |
| IR control | Adjustable IR intensity (10% to 100%) |
| Day/night switch | Photocell, sensitivity adjustable (20 lx to 70 lx) |
| Beam angles | 10°, 30°, 60°, and 95° |

| Range 850 nm | | |
|-----------------------|----------------------|---------------|
| Beam pattern diffuser | Achievable Distance* | HFOV |
| 10° | 268 m (881 ft) | 47 m (154 ft) |
| 30° | 134 m (440 ft) | 72 m (236 ft) |
| 60° | 85 m (280 ft) | 99 m (324 ft) |
| 95° | 43 m (140 ft) | 93 m (306 ft) |

* Actual illumination distance achieved is dependent on camera and lens characteristics.

| Mechanical | |
|------------------------|---|
| Housing | Robust anodized aluminum extrusion, black |
| Front window | Polycarbonate high transmittance (vandal-resistant) with self-cleaning technology |
| Mount | Black powder coated stainless steel U-bracket (adjustable with M6 socket-head wrench) |
| Cable | 3 m (9 ft) |
| Dimensions (W x H x D) | 110 x 161.5 x 75 mm (4.33 x 6.36 x 2.95 in) |

Mechanical

| | |
|--------------------------------|---|
| Bracket dimensions (W x H x D) | 110 x 125 x 35 mm (4.33 x 4.92 x 1.38 in) |
|--------------------------------|---|

| | |
|--------|------------------|
| Weight | 1.4 kg (3.1 lbs) |
|--------|------------------|

| | |
|----------------|-------------------|
| Bracket weight | 0.2 kg (0.44 lbs) |
|----------------|-------------------|

Environmental

| | |
|-----------------------------|--------------------------------------|
| Operation Temperature Range | -50 °C to +50 °C (-58 °F to +122 °F) |
|-----------------------------|--------------------------------------|

| | |
|------------|------|
| Protection | IP66 |
|------------|------|

Ordering information**IIR-50850-LR Illuminator, 850nm, long range**

Long range IR illuminator

850 nm

Order number **IIR-50850-LR****Accessories****IIR-MNT-SLB Bracket for illuminator, single L, black**

Illuminator single L-bracket, black

Order number **IIR-MNT-SLB****IIR-MNT-DLB Bracket for illuminator, double L, black**

Illuminator double L-bracket, black

Order number **IIR-MNT-DLB****IIR-MNT-TLB Bracket for illuminator, triple L, black**

Illuminator triple L-bracket, black

Order number **IIR-MNT-TLB****IIR-MNT-PMB Bracket for illuminator, pole mount**

Illuminator pole mount bracket, black

Order number **IIR-MNT-PMB****PSU-IIR-35 Power supply, 100-240VAC/24VDC, 1.46A**

Constant Voltage, 24 VDC, 35W power supply designed for LED lighting applications. 100-240VAC in, 1.46A out. Aluminum case rated IP67.

Order number **PSU-IIR-35****PSU-IIR-60 Power supply, 100-240VAC/24VDC, 2.5A**

Constant Voltage, 24 VDC, 60W power supply designed for LED lighting applications. 100-240VAC in, 2.5A out. Aluminum case rated IP67.

Order number **PSU-IIR-60****PSU-IIR-100 Power supply, 100-240VAC/24VDC, 4.17A**

Constant Voltage 24 VDC, 100W power supply designed for LED lighting applications. 100-240VAC in, 4.17A out. Aluminum case rated IP67.

Order number **PSU-IIR-100****Services****EWE-IIR850-IW 12 mths wrty ext IR Illuminator 850 nm**

12 months warranty extension

Order number **EWE-IIR850-IW****Represented by:****Europe, Middle East, Africa:**

Bosch Security Systems B.V.
P.O. Box 80002
5600 JB Eindhoven, The Netherlands
www.boschsecurity.com/xc/en/contact/
www.boschsecurity.com

Germany:

Bosch Sicherheitssysteme GmbH
Robert-Bosch-Platz 1
D-70839 Gerlingen
www.boschsecurity.com

North America:

Bosch Security Systems, LLC
130 Perinton Parkway
Fairport, New York, 14450, USA
www.boschsecurity.com

Asia-Pacific:

Robert Bosch (SEA) Pte Ltd, Security Systems
11 Bishan Street 21
Singapore 573943
www.boschsecurity.com/xc/en/contact/
www.boschsecurity.com