

## IIR-50940-LR Illuminator, 940nm, long range



The infrared illuminator provides covert or semi-covert lighting for long-range indoor and outdoor surveillance applications. IR illumination dramatically improves night-time imaging, and reduces noise and bit rates.

The set of interchangeable diffuser lenses means that beam patterns can be selected that match your application to provide accurately illuminated scenes. The self-cleaning window reduces maintenance requirements. Specifically designed for energy efficient operation, the illuminator can be powered directly from any 12 to 32 VDC supply for faster, flexible, cost effective installations.

### System overview

Energy efficient surface-mount high-power LEDs deliver maximum illumination with reduced power consumption. Advanced electronic control circuitry delivers improved thermal management, long life and low cost of ownership. A pressure equalization valve prevents thermal expansion and pressure cycling. Easy access to power and photo cell adjustment facilitates quick and easy installation.

### Regulatory information

Standards	Type
<b>CE-EMC</b>	EN 61547 (Lighting-Immunity)
	EN 55015 (Lighting-Emission)
	EN 62493( Lighting EMF)
	EN 50130-4 (Alarm EMC)

- ▶ Adjustable IR intensity
- ▶ Integrated adjustable photocell
- ▶ Interchangeable beam pattern diffusers to match beam to camera
- ▶ Self-cleaning lens coating technology
- ▶ Telemetry input and photocell output for external switching

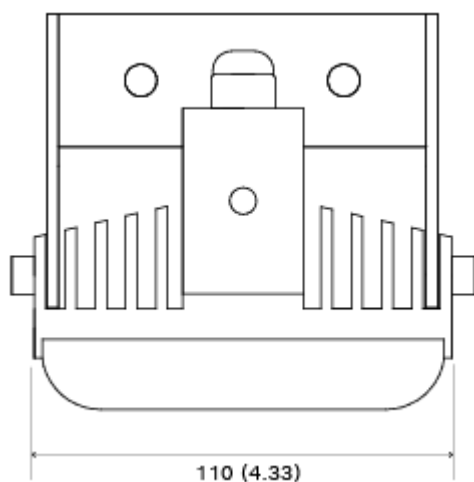
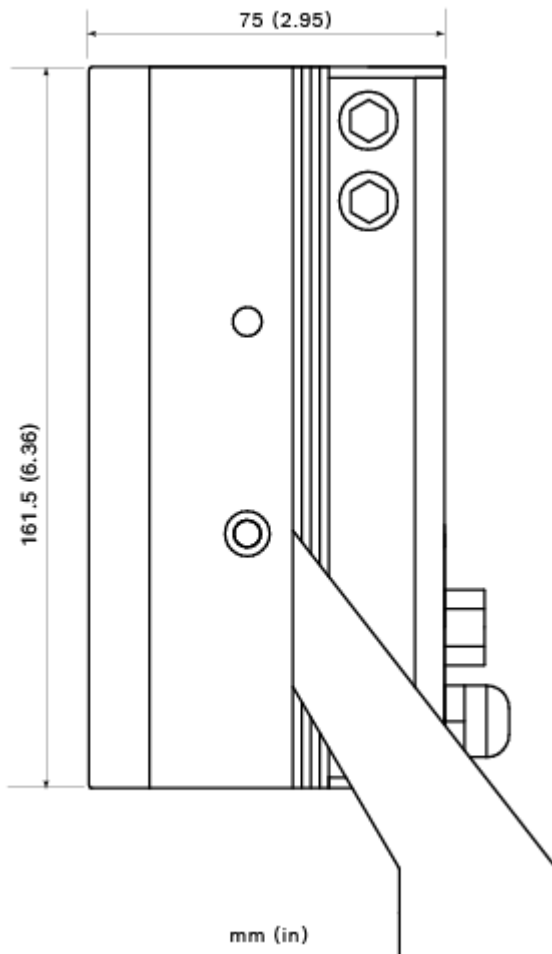
Standards	Type	
<b>Safety</b>		
CE-LVD	EN-60598-1 (Luminaires-General)	
	EN-60598-2-1 (Luminaires)	
LED	EN 62471 Risk group 2 (LED safety)	
<b>Environmental</b>		
	IEC / EN 60529 IP66	
	IEC / EN 62262 IK09	
	EN50130-5 Class IV (Alarm-environmental)	
	EN 50581 RoHS,	
	<b>USA cULus</b>	
	UL 2108 Low Voltage Lighting Systems	
	UL 8750 Light Emitting Diode (LED) equipment for use in lighting systems	
	CSA C22.2 No. 250.0-08 Luminaires	
	FCC, Class B	
<b>AUS</b>	RCM AS / NZS CISPR 22 Class B	

Region	Regulatory compliance/quality marks
Europe	CE
USA	UL

Region	Regulatory compliance/quality marks
Great Britain	UKCA

### Installation/configuration notes

#### Dimensions



Use only one of these three Power supply units with this product:

- PSU-IIR-35

- PSU-IIR-60
- PSU-IIR-100

### Parts included

Quantity	Component
1	IR illuminator with bracket
5	Beam pattern diffusers
1	Installation Guide

### Technical specifications

Power	
Power supply	12 to 32 VDC
Power consumption	39 W

Optical	
Wavelength	940 nm
IR control	Adjustable IR intensity (10% to 100%)
Day/night switch	Photocell, sensitivity adjustable (20 lx to 70 lx)
Beam angles	10°, 30°, 60°, and 95°

Range 940 nm		
Beam pattern diffuser	Achievable Distance*	HFOV
10°	165 m (540 ft)	29 m (95 ft)
30°	79 m (260 ft)	42 m (139 ft)
60°	49 m (160 ft)	56 m (185 ft)
95°	24 m (80 ft)	53 m (175 ft)

\* Actual illumination distance achieved is dependent on camera and lens characteristics.

Mechanical	
Housing	Robust anodized aluminum extrusion, black
Front window	Polycarbonate high transmittance (vandal-resistant) with self-cleaning technology
Mount	Black powder coated stainless steel U-bracket (adjustable with M6 socket-head wrench)
Cable	3 m (9 ft)
Dimensions (W x H x D)	110 x 161.5 x 75 mm (4.33 x 6.36 x 2.95 in)

**Mechanical**

Bracket dimensions (W x H x D)	110 x 125 x 35 mm (4.33 x 4.92 x 1.38 in)
-----------------------------------	---

Weight	1.4 kg (3.1 lbs)
--------	------------------

Bracket weight	0.2 kg (0.44 lbs)
----------------	-------------------

**Environmental**

Operation Temperature Range	-50 °C to +50 °C (-58 °F to +122 °F)
--------------------------------	--------------------------------------

Protection	IP66
------------	------

**Services****EWE-IIR940-IW 12 mths wrty ext IR Illuminator 940 nm**

12 months warranty extension  
Order number **EWE-IIR940-IW**

**Ordering information****IIR-50940-LR Illuminator, 940nm, long range**

Long range IR illuminator

940 nm

Order number **IIR-50940-LR**

**Accessories****IIR-MNT-SLB Bracket for illuminator, single L, black**

Illuminator single L-bracket, black

Order number **IIR-MNT-SLB**

**IIR-MNT-DLB Bracket for illuminator, double L, black**

Illuminator double L-bracket, black

Order number **IIR-MNT-DLB**

**IIR-MNT-TLB Bracket for illuminator, triple L, black**

Illuminator triple L-bracket, black

Order number **IIR-MNT-TLB**

**IIR-MNT-PMB Bracket for illuminator, pole mount**

Illuminator pole mount bracket, black

Order number **IIR-MNT-PMB**

**PSU-IIR-35 Power supply, 100-240VAC/24VDC, 1.46A**

Constant Voltage, 24 VDC, 35W power supply designed for LED lighting applications. 100-240VAC in, 1.46A out.

Aluminum case rated IP67.

Order number **PSU-IIR-35**

**PSU-IIR-60 Power supply, 100-240VAC/24VDC, 2.5A**

Constant Voltage, 24 VDC, 60W power supply designed for LED lighting applications. 100-240VAC in, 2.5A out.

Aluminum case rated IP67.

Order number **PSU-IIR-60**

**PSU-IIR-100 Power supply, 100-240VAC/24VDC, 4.17A**

Constant Voltage 24 VDC, 100W power supply designed for LED lighting applications. 100-240VAC in, 4.17A out.

Aluminum case rated IP67.

Order number **PSU-IIR-100**

**Represented by:**

**Europe, Middle East, Africa:**  
Bosch Security Systems B.V.  
P.O. Box 80002  
5600 JB Eindhoven, The Netherlands  
[www.boschsecurity.com/xc/en/contact/](http://www.boschsecurity.com/xc/en/contact/)  
[www.boschsecurity.com](http://www.boschsecurity.com)

**Germany:**  
Bosch Sicherheitssysteme GmbH  
Robert-Bosch-Platz 1  
D-70839 Gerlingen  
[www.boschsecurity.com](http://www.boschsecurity.com)

**North America:**  
Bosch Security Systems, LLC  
130 Perinton Parkway  
Fairport, New York, 14450, USA  
[www.boschsecurity.com](http://www.boschsecurity.com)

**Asia-Pacific:**  
Robert Bosch (SEA) Pte Ltd, Security Systems  
11 Bishan Street 21  
Singapore 573943  
[www.boschsecurity.com/xc/en/contact/](http://www.boschsecurity.com/xc/en/contact/)  
[www.boschsecurity.com](http://www.boschsecurity.com)