

IPP-AL400-ULKT3



EN

Installation Guide

Enclosure, Power Supply, and
Power Distribution Module



BOSCH

Table of Contents

1	Listings and Approvals	3
1.1	UL	3
2	Introduction	3
2.1	About documentation	3
2.1.1	Related documentation	4
3	Mount the enclosure	5
4	Install modules in the enclosure	5
4.1	C900V2 Dialer Capture Ethernet Module	5
4.1.1	Mount the C900V2 to the mounting plate	7
4.2	B426 Module, D9210C Module.....	8
5	Wiring	9
6	Specifications	14

1 Listings and Approvals

Listing and approvals are organized by agency.

1.1 UL

Subassembly categories:

AL400ULXB is listed in the following subcategories:

- UTRZ2
- APHV2
- ALVY2

PD4ULCB is listed in the following subcategories:

- UTRZ
- ALVY

B426, D9210C are listed in the following subcategories:

- UOXX
- UTOU
- AMCX
- AOTX
- APAW
- APOU
- NBSX

Do not use the AL400ULXB/PD4ULCB to power a mercantile bell.

To meet UL requirements, only connect the AL400ULXB/PD4ULCB to a UL Listed control panel that provides a power-on indicator that is visible after installation.

2 Introduction

The IPP-AL400-ULKT3 includes an Altronix AL400ULXB Power Supply/Charger and an Altronix PD4ULCB Power Distribution Module installed in an IPP-AL400-ULPS enclosure.

The AL400ULXB is a UL listed power supply/charger which converts a 115 VAC, 60 Hz input into a single 12 VDC or 24 VDC Class 2 Rated power limited output.

The PD4ULCB Subassembly Power Distribution Module converts a single input into four (4) individually PTC protected Class 2 Rated power limited outputs.

2.1 About documentation

This document contains instructions for a trained installer to properly install, configure, and operate products included and optional modules. Review the document before beginning the installation to determine the hardware and wiring requirements for the features used.

(Bosch Security Systems, Inc. recommends that installers follow good wiring practices such as those described in NFPA 731, Standard for the Installation of Electronics Premises Security Systems.)

Copyright

This document is the intellectual property of Bosch Security Systems, Inc. and is protected by copyright. All rights reserved.

Trademark

All hardware and software product names used in this document are likely to be registered trademarks and must be treated accordingly.

2.1.1 Related documentation

For detailed instructions for individual modules, refer to the documents listed below.

Altronix module documents

<i>Altronix AL400ULXB UL Recognized Power Supply / Charger Installation Instructions</i> (included in the IPP-AL400-ULKT3 hardware pack)

<i>Altronix PD4ULCB UL Listed Subassembly Power Distribution Module Installation Instructions</i> (included in the IPP-AL400-ULKT3 hardware pack)

Compatible module documents

<i>D9210C Access Control Interface Module Installation and Operation Guide</i> (P/N: F01U215244)

<i>C900V2 Dialer Capture Module Installation Guide</i> (P/N: F01U003472)

<i>B426 Ethernet Communications Module Installation and Operation Guide</i> (P/N: F01U266226)

<i>D122L Dual Battery Harness Installation Instructions</i> (P/N: F01U036370)

Legacy module documents (products no longer sold)

<i>D9210B Access Control Interface Module Operation and Installation Guide</i> (P/N: 32206G)

<i>B420 Ethernet Communications Module Installation and Operation Guide</i> (P/N: F01U215236)

<i>DX4020 Network Interface Module Installation Guide</i> (P/N: F01U045288)

<i>C900TTL-E Dialer Capture Module Installation Guide</i> (P/N: 4998122718)

<i>D9133TTL-E Network Interface Module Installation Guide</i> (P/N: 4998122717)

3 Mount the enclosure

Use the three upper mounting holes and the three lower mounting holes to mount the enclosure to the wall. Refer to Figure 1.

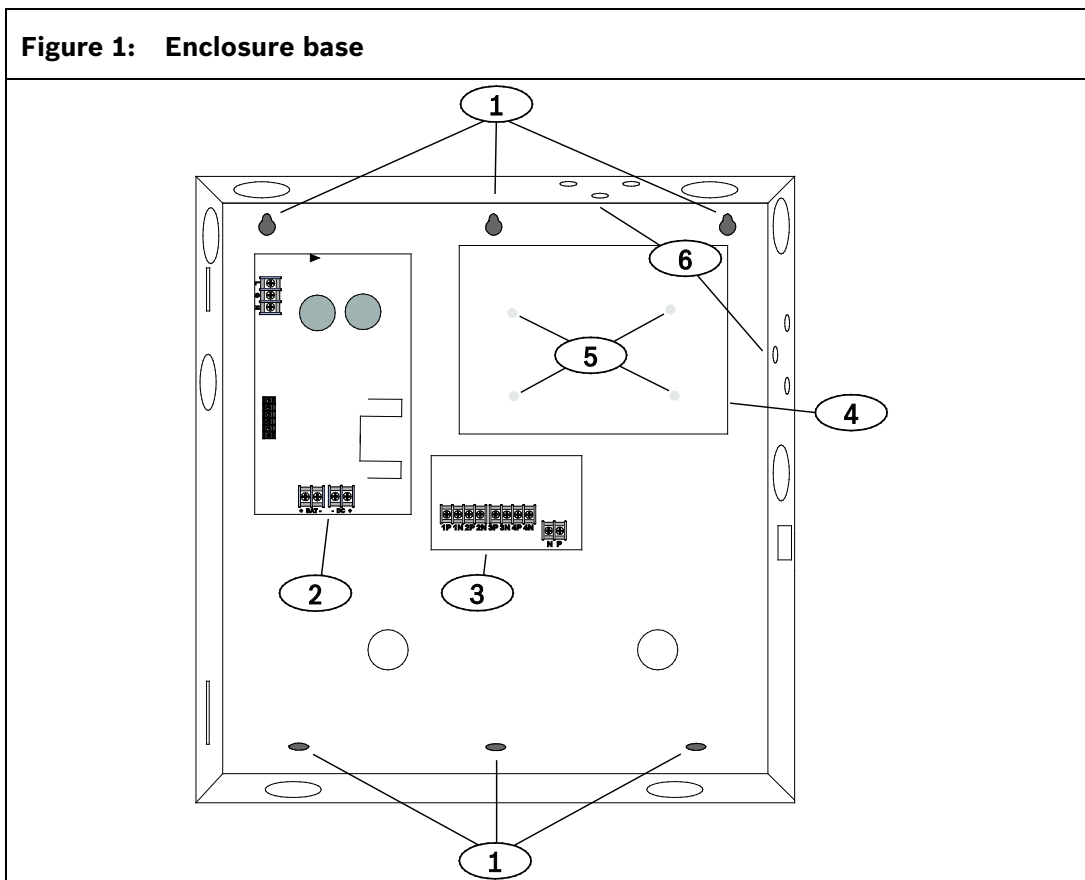
4 Install modules in the enclosure

Once the enclosure is mounted to the wall, use the instructions in this section to install modules in the enclosure.

4.1 C900V2 Dialer Capture Ethernet Module

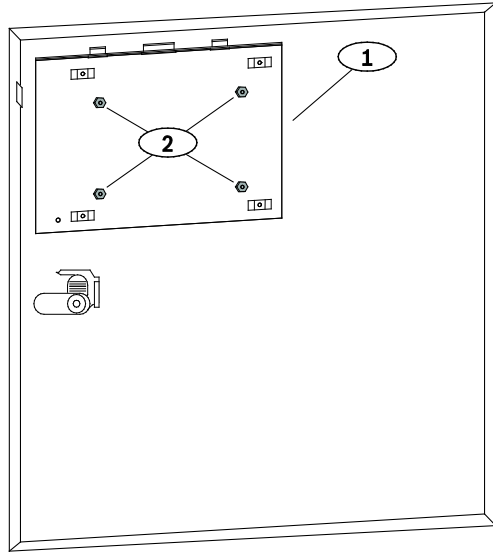
Mount the C900V2 module in the base of the enclosure or on the enclosure door.

1. With the bend in the plate at the top, place the mounting plate included with the C900V2 module over the threaded lugs in the enclosure base or door.
2. Secure the mounting plate in the enclosure base, or on the enclosure door, using the four 6-32 hex nuts included in the hardware pack.



- 1 – Enclosure mounting holes
- 2 – AL400ULXB Power Supply (factory installed)
- 3 – PD4ULCB Power Distribution Module (factory installed)
- 4 – C900V2 mounting location
- 5 – Four 6-32 threaded lugs for mounting C900V2 mounting plate
- 6 – Three-hole module mounting locations

Figure 2: Enclosure Door



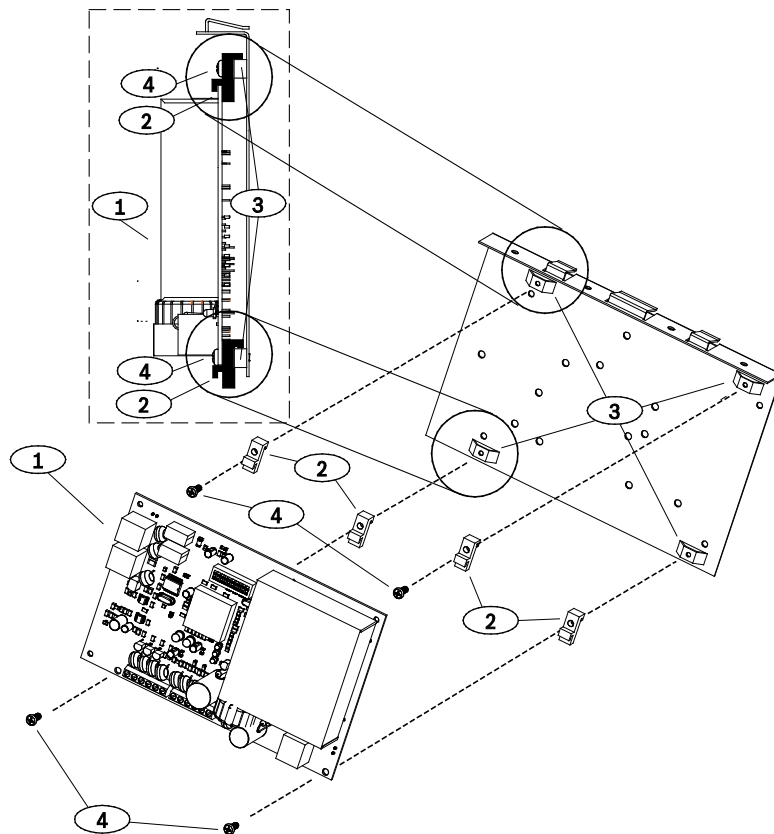
- 1 – C900V2 mounting plate
- 2 – Four 6-32 hex nuts for securing C900V2 mounting plate

4.1.1 Mount the C900V2 to the mounting plate

Using the included four plastic clips and four screws from the C900V2 hardware pack, follow the steps below to mount the C900V2 to the mounting plate.

1. Insert the top hooks of the plastic clips into the four standoffs. Ensure the holes in the clips and standoffs are aligned.
2. Insert a screw through each of the clips on the top standoffs and tighten.
3. Place the top edge of the C900V2 module under the two top clips.
4. Lower the bottom edge of the module until it rests on the ledge of the two bottom clips.
5. Insert the two remaining screws through the bottom two mounting holes on the module, the bottom two clips, and into the bottom standoffs.
6. Tighten the screws until the module is secure against the bottom clips.

Figure 3: C900V2 to mounting plate

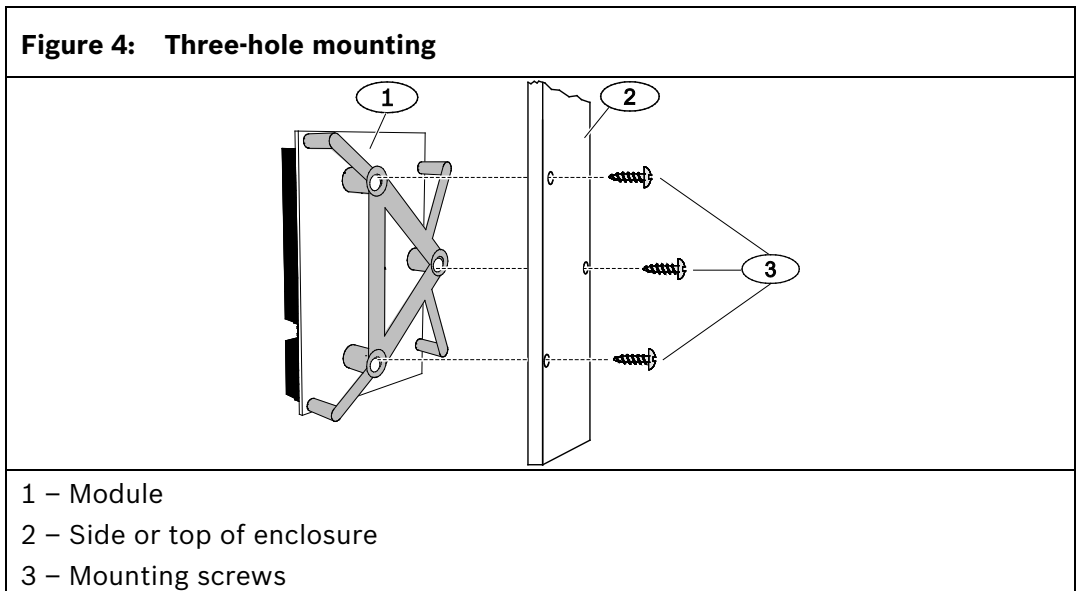


- 1 – C900V2 module
- 2 – Plastic clips
- 3 – Mounting plate standoffs
- 4 – Screws

4.2 B426 Module, D9210C Module

Mount the B426 Ethernet Communication Module or D9210C Access Control Interface Module on the side or top of the enclosure using either of the enclosure three-hole module mounting locations. Figure 1 shows the locations.

Use the three screws included with the module to mount the module in the enclosure as shown in Figure 4.



5 Wiring

Keep all power-limited wiring at least 0.5 in. (6.4 mm) away from the battery wires or other non-power-limited wires. Secure wiring using cable ties or similar devices.

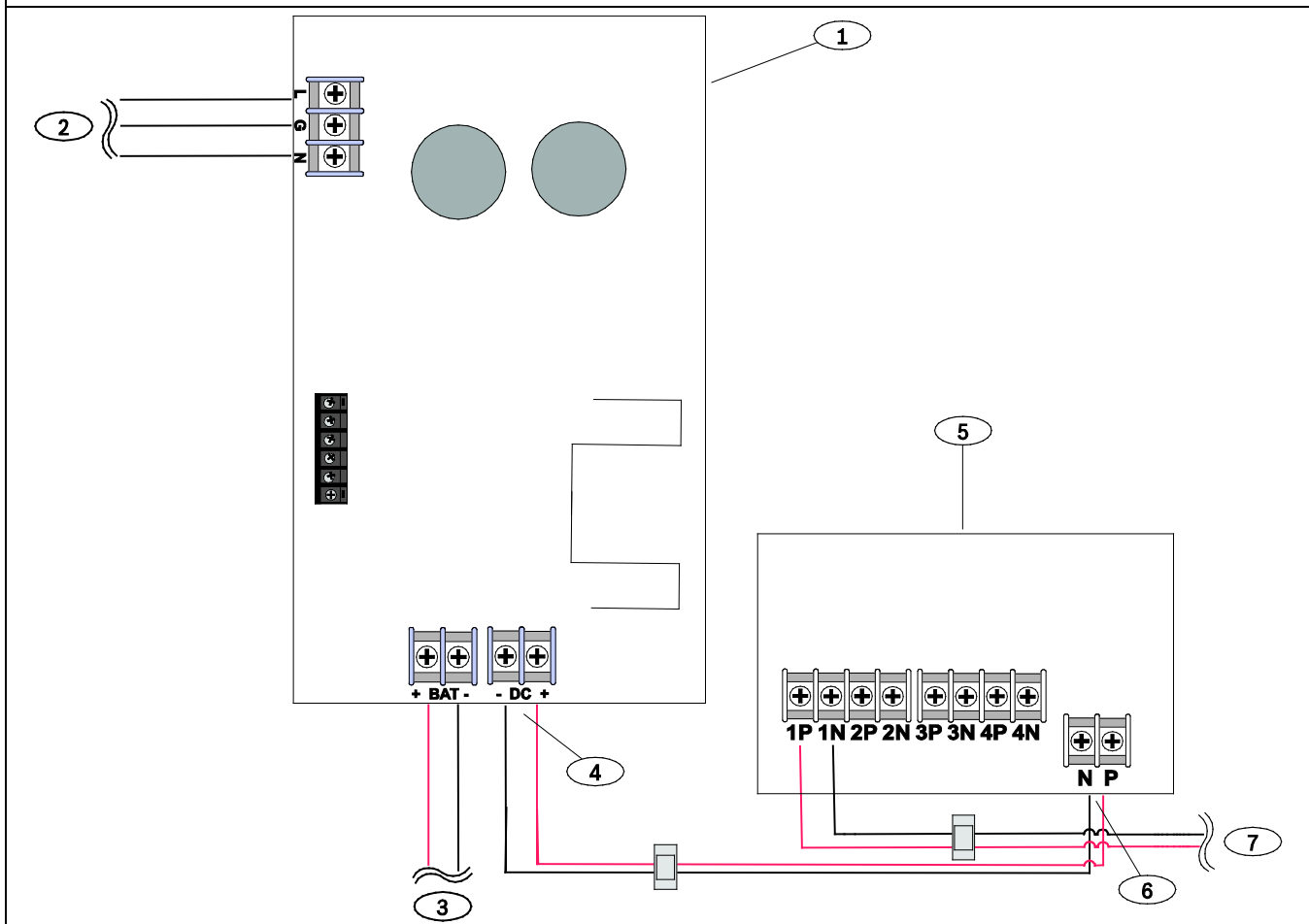
For module wiring details, refer to the module installation guide for each module. Refer to section 2.1.1 Related Documentation.

You can configure the AL400ULXB Power Supply/Charger for 12 or 24 VDC output. See the installation instructions included in the hardware pack. The default is 12 VDC.

Notice! Install the ground wire for all configurations. Refer to Figure 9.

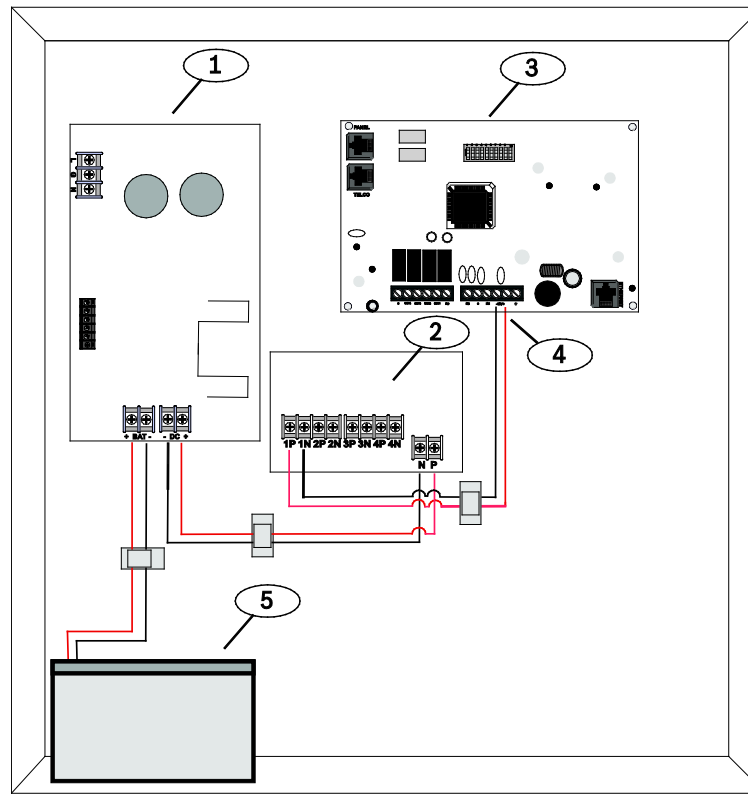
Notice! The B420, D9210C, DX4020, and D9210B are 12 VDC only modules. The C900V2 can be used with 12 VDC or 24 VDC.

Figure 5: AL400ULXB – PD4ULCB Wiring

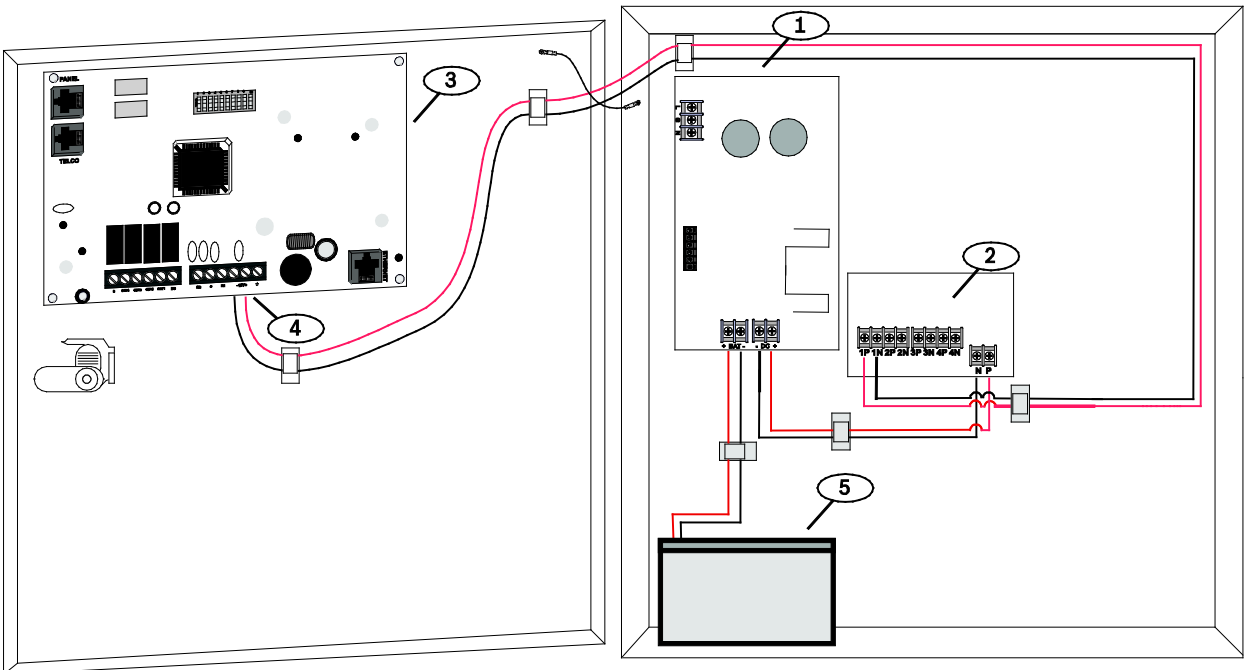


- 1 – AL400ULXB Power Supply/Charger
- 2 – Connect 115 VAC, 60 Hz to these terminals: L to hot, N to neutral, G to ground
- 3 – Standby battery connections. Maximum charge current 1.2 Amp
- 4 – 12 VDC @ 4 Amp or 24 VDC @ 3 Amp continuous power limited output
- 5 – PD4ULCB Power Distribution Module
- 6 – DC input: N to negative (-) DC, P to positive (+) DC
- 7 – Connection to module: P to positive (+), N to negative (-)

Figure 6: C900V2 wiring, mounted in enclosure base

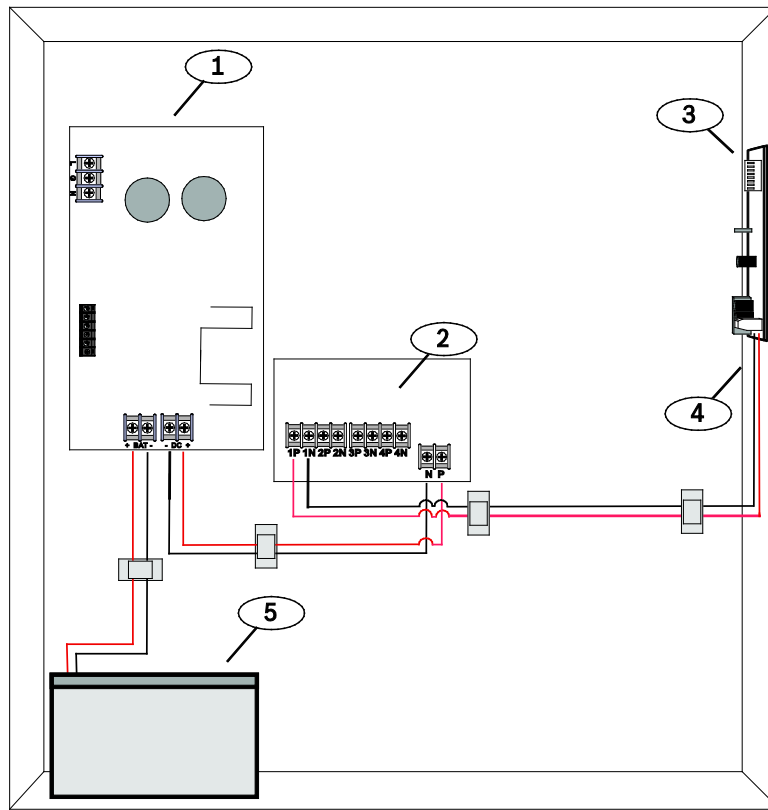


- 1 – AL400ULXB Power Supply/Charger
- 2 – PD4ULCB Power Distribution Module
- 3 – C900V2 Dialer Capture Ethernet Module
- 4 – C900V2 module 12 VDC terminals (-12+)
- 5 – Standby battery

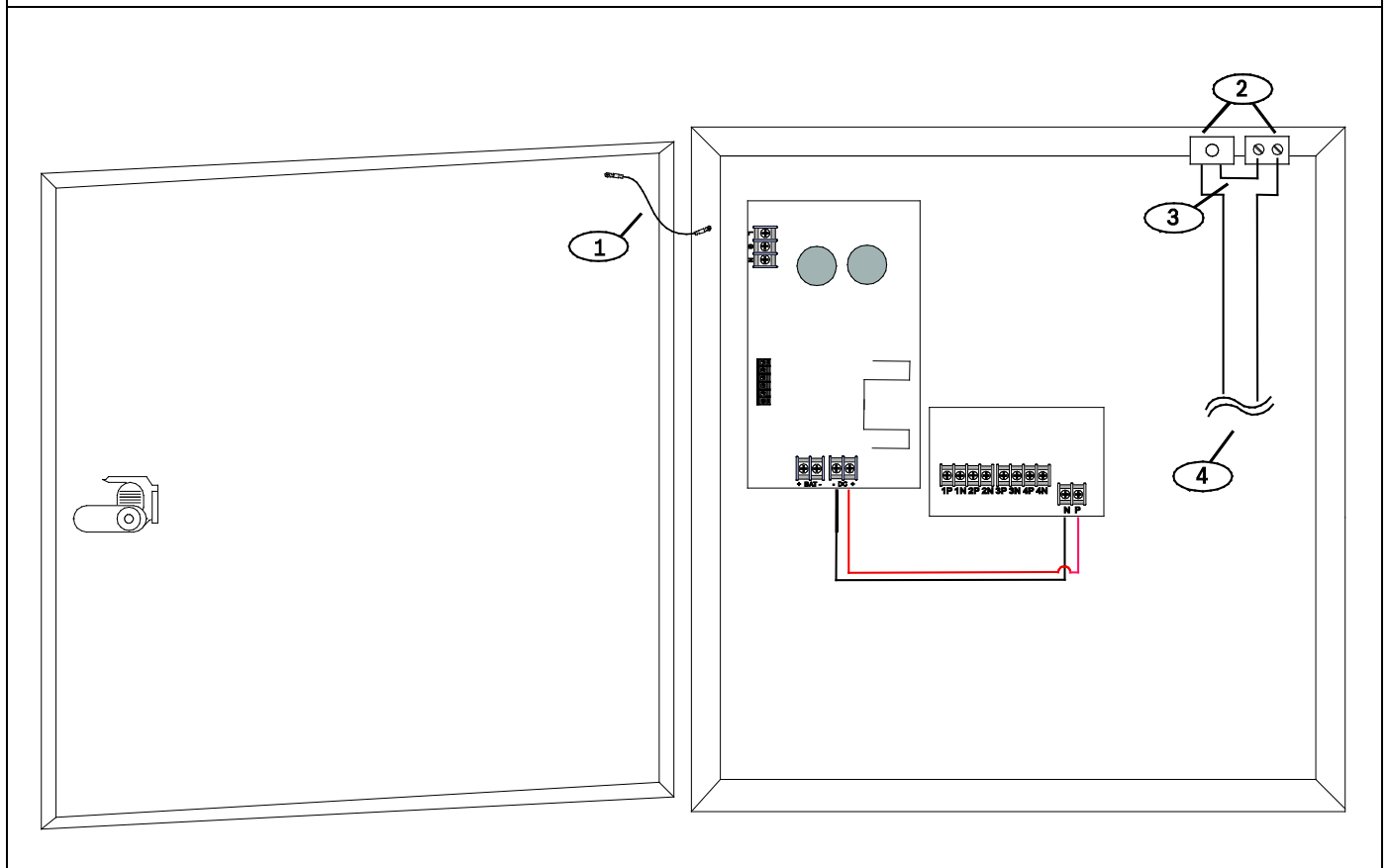
Figure 7: C900V2 wiring, mounted on enclosure door

- 1 – AL400ULXB Power Supply/Charger
- 2 – PD4ULCB Power Distribution Module
- 3 – C900V2 Dialer Capture Ethernet Module
- 4 – C900V2 module 12 VDC terminals (-12+)
- 5 – Standby battery

Figure 8: Three-hole module wiring



- 1 – AL400ULXB Power Supply/Charger
- 2 – PD4ULCB Power Distribution Module
- 3 – Three-hole mounted module (B426, D9210C are examples)
- 4 – Module 12 VDC terminals
- 5 – Standby battery

Figure 9: Wall and door tamper switch wiring, enclosure base to door ground wire

- 1 – Ground wire (secure to enclosure door and base with locking hex nuts)
- 2 – Wall and enclosure door tamper switches
- 3 – Tamper switch jumper wire (connects door tamper switch to wall tamper switch)
- 4 – Connect tamper switches to control panel or module tamper circuit

6 Specifications

Table 1: Specifications		
Power Input	Voltage	115 VAC / 60 Hz
	Current	1.45 A
Power Output	Voltage	12 VDC or 24 VDC, selectable
	Current	12 VDC at 4 A 24 VDC at 3 A
	Class	Class 2 Rated, power limited
Battery Power	Maximum charge current output	0.7 A
Power Supply Features	<ul style="list-style-type: none"> • Filtered and electronically regulated outputs • Short circuit and thermal overload protection; input fuse rated at 3.5 A/250 V • Built-in charger for sealed lead acid or gel-type batteries • Automatic switch-over to standby battery when AC fails (zero voltage drop) • AC fail supervision (Form C contacts) • Battery presence/low battery supervision (Form C contacts) • AC and DC output LED indicators • The charging circuit can charge two 18 Ah batteries when a D122L Dual Battery Harness is used. Refer to the <i>D122L/D122 Installation Instructions</i> (P/N: F01U036370) for wiring details. 	
Cabinet Dimensions	H x W x D: 20 ³ / ₈ in. x 16 ¹ / ₄ in. x 4 in. (51.8 cm x 41.3 cm x 10.2 cm)	
Weight	12 lb 2 oz (5.5 kg)	

7 Notes

Bosch Security Systems, B.V.

Torenallee 49

5617 BA Eindhoven

Netherlands

www.boschsecurity.com

© Bosch Security Systems, B.V., 2019



BOSCH