

ISP-GBD2-P110S LSN glass break, passive, VdS-B



- ▶ Glass break detector with LSN technology
- ▶ For monitoring level glass surfaces within a max. radius of 2 m
- ▶ For connecting to a LSN intrusion control panel
- ▶ VdS class B
- ▶ Particularly compact design

The passive glass break detector in LSN technology monitors level glass surfaces within a max. radius of 2 m.

Functions

Passive glass break detectors are stuck directly onto glass plates in windows and doors. The mechanical vibrations that occur when the glass is damaged are measured and analyzed. Scratches on the glass plate made by a glass cutter are not recognized as glass break. The analysis is carried out via the LSN intrusion control panel.

Regulatory information

Region	Regulatory compliance/quality marks	
Europe	CE	ISP-GBD2-P110S
Germany	VdS	G118501 [ISP-GBD2-P110S]
Russia	GOST	TC N RU.Д-НЛ.МН09.В.00334 EAC

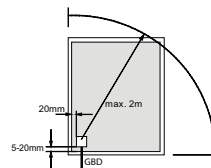
Installation/configuration notes

Installation considerations

- Functional tests can be conducted using a detector testing device. Alarm triggering is displayed at the control panel and also directly indicated on the detector.
- The glass break detector is stuck to level glass plates in rooms.

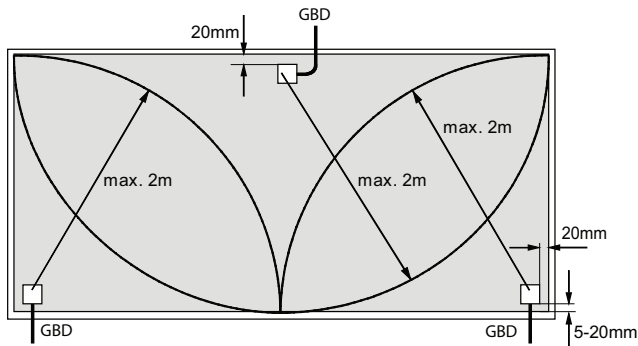
- The detector should preferably be installed with the adhesive label on the glass, parallel to the window frame, at a minimum distance of 5 mm from the window frame, and at least 20 mm from the long side.
- The side of the glass to which the detector is attached may not have other material attached to it (e.g. anti-splinter foil, transparencies etc.) and may not be painted.
- Plates of glass in premises in which air containing chlorine or other aggressive substances are present (e.g. swimming pools) are unsuitable for installation.
- The detector cannot be used for the following types of plates: Pyrostop glass (fire-retardant), structured glass, plates made of plastic material, glass bricks, laminated glass, armored glass.

Installation of a glass break detector on a plate



Installation distance from frames: 20 mm

Installation of multiple glass break detectors on one plate



Installation distance from frames: 20 mm

Parts included

Quantity	Component
1	Passive glass break detector

Technical specifications

Electrical

Maximum voltage in V	33
Maximum current consumption in μ A	560

Mechanical

Dimension in cm (H x W x D)	1.8 x 1.8 x 1.0
Color	White (RAL9010)
Alarm display	LED
Alarm buffer	Regulated by EMZ
Cable	LiY(St)Y 4 x 0,22 mm ²
Cable length in m	4
Radius operating area in m	2
Installation	Bonding with Loctite Glas-metal adhesive set 319
Functionality test	With glass breakage detector tester GP 2

Environmental

Minimum operating temperature in $^{\circ}$ C	-25
Maximum operating temperature in $^{\circ}$ C	70
Environmental class	III (VdS)
Protection class	IP65
VdS number	G118501

Ordering information

ISP-GBD2-P110S LSN glass break, passive, VdS-B

For monitoring level glass surfaces within a max. radius of 2 m

Order number **ISP-GBD2-P110S | F.01U.275.639**

Accessories

2799270237 Glas/Metall Klebeset für GB95/96

For sticking glass break detectors to level glass plates
Order number **2799270237 | 2.799.270.237**

Represented by:

Europe, Middle East, Africa:
Bosch Security Systems B.V.
P.O. Box 80002
5600 JB Eindhoven, The Netherlands

Germany:
Bosch Sicherheitssysteme GmbH
Robert-Bosch-Platz 1
D-70839 Gerlingen

North America:
Bosch Security Systems, LLC
130 Perinton Parkway
Fairport, New York, 14450, USA

Asia-Pacific:
Robert Bosch (SEA) Pte Ltd, Security Systems
11 Bishan Street 21
Singapore 573943