

Installation Instructions for the DS7433 8 Input Module

1.0 General Information

The DS7433 is an 8 input Module for use with the DS7400(Xi) Series Control/Communicator. It connects directly to the DS7400(Xi) and is designed to expand it to 16 hard wired points. One DS7433 may be used per DS7400(Xi) system.

- Current Draw: 65 mA Standby. 80 mA with one point in alarm.
Add 15 mA per additional point in alarm.
- Maximum Loop Impedance: 60 ohms.
- End Of Line Resistor: 2.21 K ohm.
- 12 VDC Nominal Operating Voltage.

2.0 Installation

Warning: Failure to follow the mounting instructions in this manual may result in damage to the DS7400(Xi) Control Panel.

Caution: The DS7433 and DS7400(Xi) contain static sensitive components and must be handled with care. Follow anti-static procedures when handling the boards.

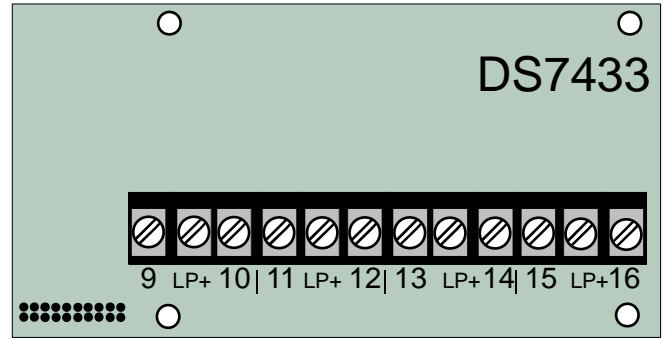
- Install the DS7433 board prior to installing the DS7400(Xi) board into the control enclosure. If the DS7400(Xi) board is already installed in the control panel enclosure, remove the 7400(Xi) board this time.
- Place the DS7400(Xi) board on a flat surface with the component side of the module facing up.
- Install the four plastic standoffs in the holes provided in the DS7400(Xi) module. Avoid bending or flexing the DS7400(Xi) board when inserting the standoffs. Be sure the standoff tabs are aligned so that they do not touch any components on the module. Be sure that the standoffs are firmly pressed into the board so that the "ears" can expand out. See drawings.
- Install the DS7433 board onto the standoffs, noting that the connector pins from the DS7400(Xi) are properly aligned to install into the connector on the DS7433. Avoid bending or flexing the boards while pressing them onto the standoffs.
- The DS7400(Xi) control board may be installed into the control panel enclosure at this time.

3.0 Wiring

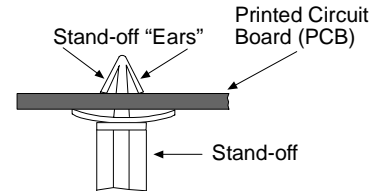
Points 9-16 are intended for the connection of normally open or normally closed alarm contacts. These points may also be used with compatible 2 wire smoke detectors.

4.0 Programming

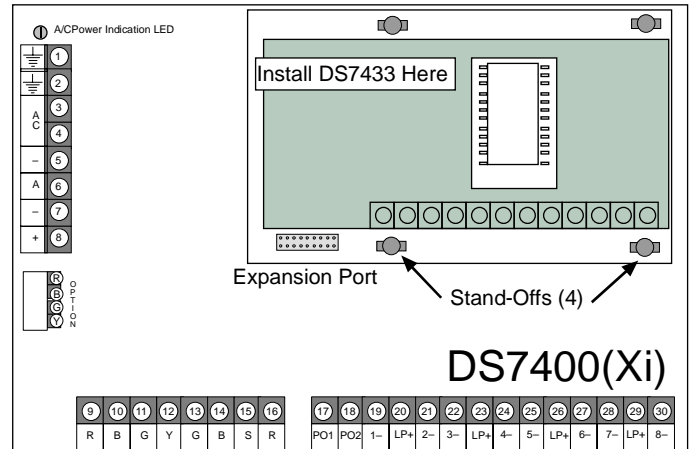
Refer to your control panel Installation Guide for programming information.



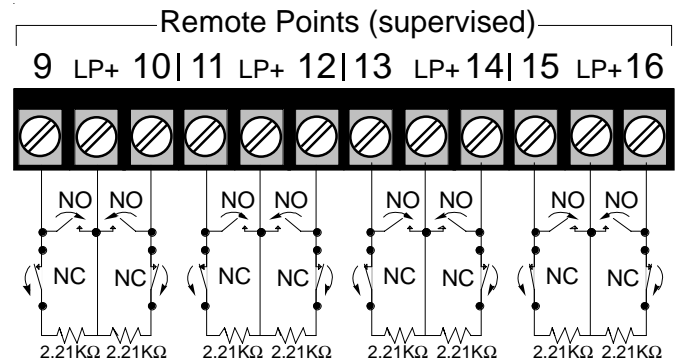
DS7433 Front View



Be sure that the Stand-off is pressed firmly through the Printed Circuit Board, so that the Stand-off ears can expand outward.



Installing the DS7433 on the DS7400(Xi)



2-wire fire End-of-Line resistors are P/N 25899
Burglar End-of-Line resistors are P/N 25944

DS7433 Wiring

