

EVB-BA-100

Backup Audio Interface (replacement for EVX-BA)

The EVB-BA-100 provides a means to switch in a backup amplifier in the event of a primary amp failure. One backup amp can be provided in reserve for several primary amps. Amplifier outputs are connected at TB2, and speaker field wiring at TB1. Supervisory and 24 VDC power inputs are provided at TS1. The LED on-board activates when the backup amp has been switched in. All wiring is power-limited. Mounts to snaptrack or insulating nylon standoffs.

The EVB-BA-100 is compatible with both 25VRMS and 70VRMS audio signals.

INSTALLATION:

Mounting: The EVB-BA-100 is mounted in the same cabinet that houses the primary amplifier. It is designed to be mounted into standard 3" snap track material. The board also has mounting holes at the corners for stand-off mounts where necessary.

Fig. 1 - Board

TB1:

- Ter. 1 - Ckt. Neg
- Ter. 2 - +24 VDC
- Ter. 3 - Gen Input
- Ter. 4 - +24 VDC

TB1:

- Ter. 1 & 2 - Audio Output

TB2:

- Ter. 1& 2 - 25/70 VRMS Audio Input from backup amplifier

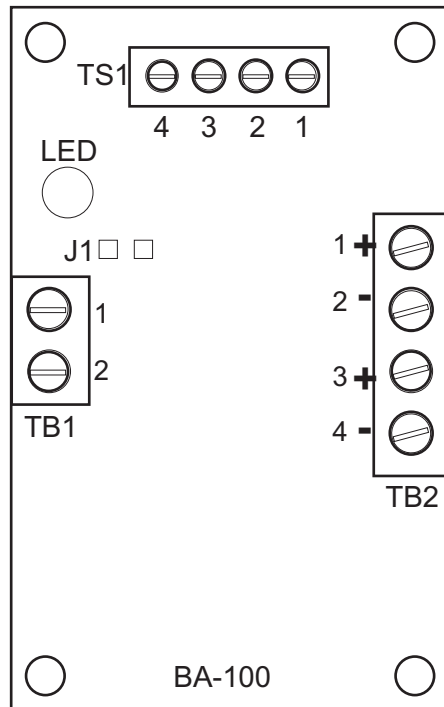
- Ter. 3&4 - 25/70 VRMS Audio Input from primary amplifier

JUMPERS:

- J1: jumps TS1-2 to TS1-4

LED 1:

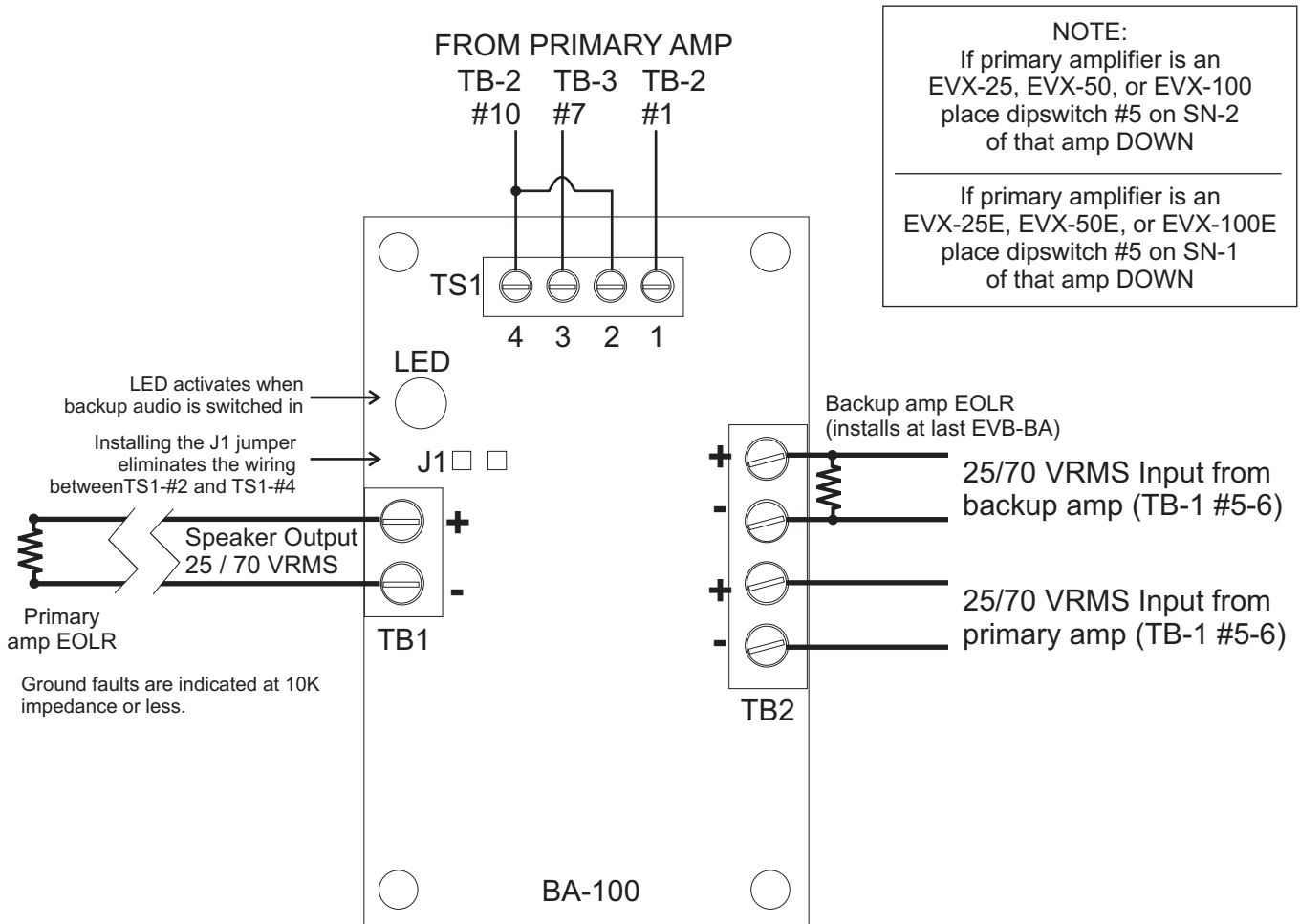
- ON: backup audio switched in



SPECIFICATIONS:

- Power: 24 VDC
- Current: 40 mA Standby
- 10 mA Active

Fig. 2 - Typical Connection Detail



Field wiring connections:
 #6-32 wire clamp screw 14-18 AWG
 #8-32 wire clamp screw 12-18 AWG
 Horizontal wire entry terminal 18-26 AWG
 Wire gauge determined by circuit load