

## LA2-UM60-D-IN Column loudspeaker 60W, metal, black



- ▶ For applications where directivity is important
- ▶ Good speech intelligibility and background music reproduction
- ▶ Swivel wall-mounting bracket supplied as standard

The LA2-UM60-D-IN metal column loudspeaker delivers professional performance from a robust, yet aesthetically designed metal enclosure in a black finish.

It is an ideal column loudspeaker where sound beaming is required, for indoor use in passenger terminals, places of worship, conference venues, factories, exhibition areas.

A swivel wall mounting bracket is supplied as standard, allowing accurate positioning.

### Installation/configuration notes

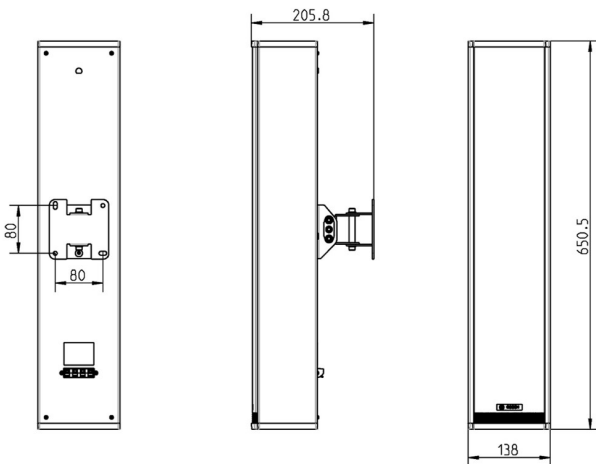


Fig. 1: Dimensions LA2-UM60-D-IN

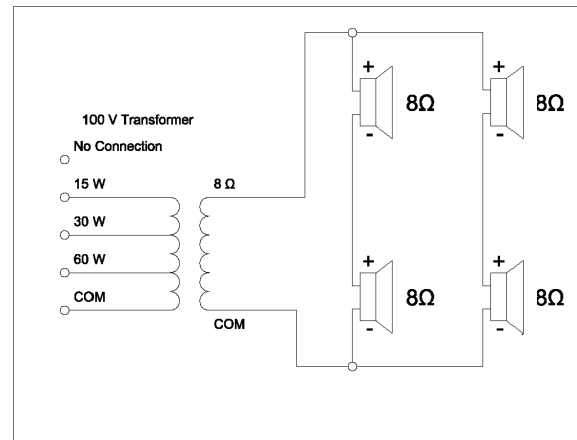


Fig. 2: Circuit diagram LA2-UM60-D-IN

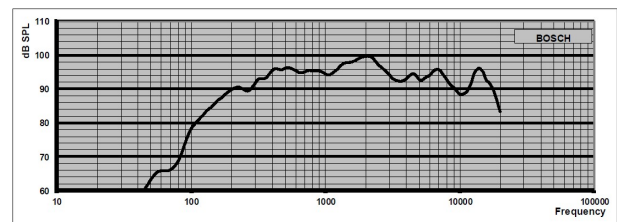


Fig. 3: Frequency response LA2-UM60-D-IN

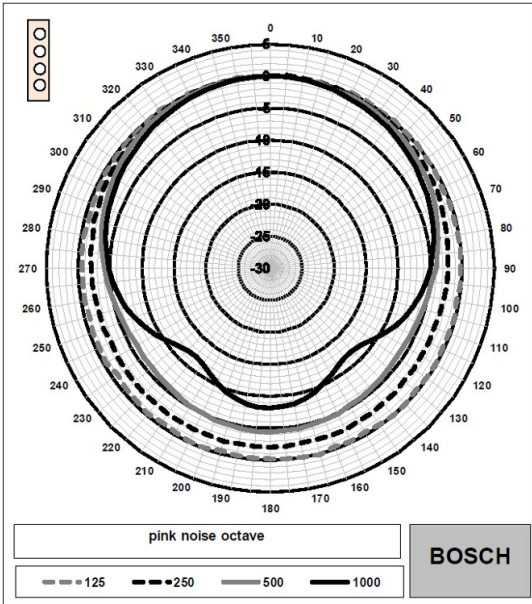


Fig. 4: Polar diagram LA2-UM60-D-IN (horizontal measured with pink noise)

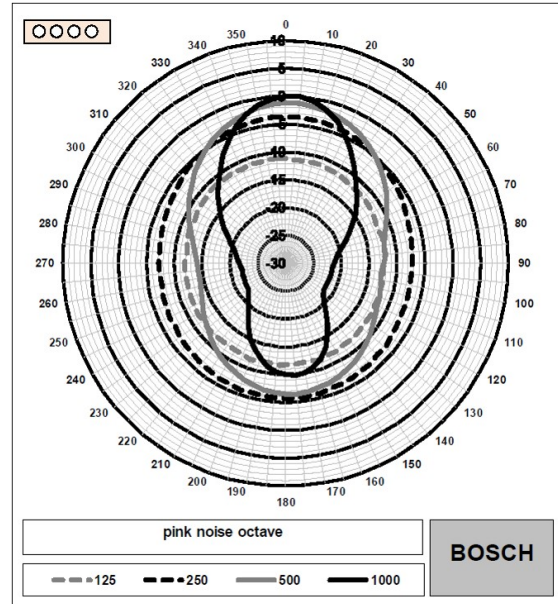


Fig. 6: Polar diagram LA2-UM60-D-IN (vertical measured with pink noise)

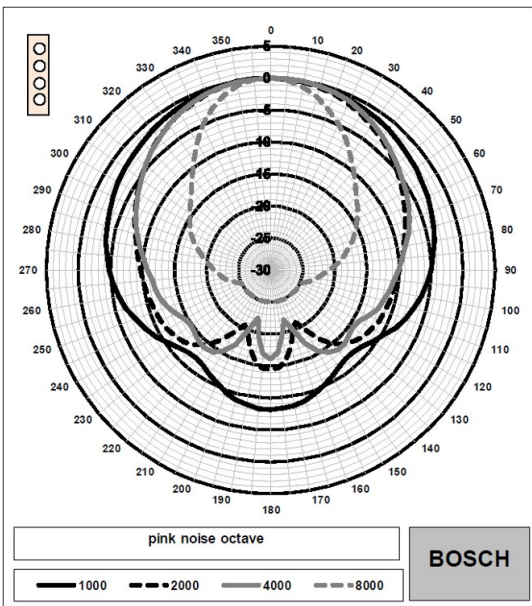


Fig. 5: Polar diagram LA2-UM60-D-IN (horizontal measured with pink noise)

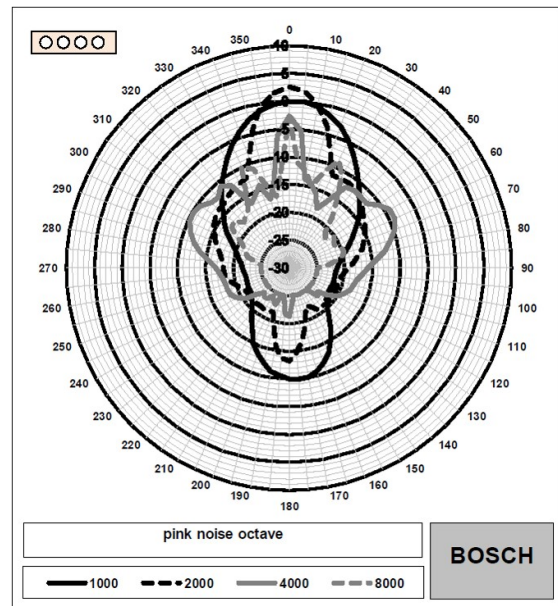


Fig. 7: Polar diagram LA2-UM60-D-IN (vertical measured with pink noise)

**Parts included**

Quantity	Component
1	LA2-UM60-D-IN Metal Column loudspeaker
1	Wall mounting bracket
1	Installation instruction

**Technical specifications**

**Electrical**

	<b>LA2-UM60-D-IN</b>
Maximum power	90 W
Rated power (PHC)	60 W
Sound pressure level at rated power / 1 W (1 kHz, 1 m)	107 / 95 dB (SPL)
Effective frequency range (-10 dB)	147 Hz to 17.4 kHz
Horizontal opening angle at 1 kHz / 4 kHz (-6 dB)	200°/ 129°
Vertical opening angle at 1 kHz / 4 kHz (-6 dB)	54°/ 14°
Rated input voltage	100 V
Rated impedance	
Full power	167 Ω
Half power	333 Ω
Quarter power	667 Ω

**Mechanical**

	<b>LA2-UM60-D-IN</b>
Dimensions (L x W x D)	651 x 140 x 110 mm (25.6 x 5.5 x 4.3 in)
Weight	8 kg (17.6 lb)
Color	Traffic black RAL 9017
Material	Steel
Connection	Push terminal for speakers
Connector	1 x 4 Way Push Type

**Environmental**

	<b>LA2-UM60-D-IN</b>
Operating temperature	0 °C to +55 °C (32 °F to +131 °F)

Storage and transport temperature	-10 °C to +70 °C (-14 °F to +158 °F)
Relative humidity	≤95%

**Ordering information**

**LA2-UM60-D-IN Column loudspeaker 60W, metal, black**

Column loudspeaker 60W, metal enclosure, finished in black, supplied with a swivel wall mounting bracket. Order number **LA2-UM60-D-IN | F.01U.344.880**

**Represented by:**

**Europe, Middle East, Africa:**  
 Bosch Security Systems B.V.  
 P.O. Box 80002  
 5600 JB Eindhoven, The Netherlands  
[www.boschsecurity.com/xc/en/contact/](http://www.boschsecurity.com/xc/en/contact/)  
[www.boschsecurity.com](http://www.boschsecurity.com)

**Germany:**  
 Bosch Sicherheitssysteme GmbH  
 Robert-Bosch-Platz 1  
 D-70839 Gerlingen  
[www.boschsecurity.com](http://www.boschsecurity.com)

**North America:**  
 Bosch Security Systems, LLC  
 130 Perinton Parkway  
 Fairport, New York, 14450, USA  
[www.boschsecurity.com](http://www.boschsecurity.com)

**Asia-Pacific:**  
 Robert Bosch (SEA) Pte Ltd, Security Systems  
 11 Bishan Street 21  
 Singapore 573943  
[www.boschsecurity.com/xc/en/contact/](http://www.boschsecurity.com/xc/en/contact/)  
[www.boschsecurity.com](http://www.boschsecurity.com)