

LB20-PC40-4 Speaker 4" cabinet 8 Ohm pair

www.boschsecurity.com



BOSCH

Invented for life



- ▶ Innovative mount system is included for quick, simple, and reliable installations
- ▶ Carefully engineered for outdoor environments (IP54), without compromising performance
- ▶ Long throw 4" (102 mm) woofer housed in a fire rated ABS plastic enclosure for extended LF performance down to 75 Hz
- ▶ 40 W power handling provides for 103 dB maximum SPL (109 dB peak)
- ▶ 70/100 V transformer version (LB20-PC15-4) available for constant voltage systems

The LB20-PC40-4 from Bosch is a high-performance, two-way, full-range, 4 inch (102 mm) surface mount speaker with excellent wide, uniform coverage, and outstanding performance. It is designed for background and foreground music, paging, and sound reinforcement, and it's ideal for a wide variety of indoor and outdoor applications, such as restaurants, bars, patios, retail, fitness clubs, hospitality, theme parks, leisure venues, and others. With unparalleled ease-of-installation, sturdy weather resistance, modern and delicate look, and its flexible mounting options, the LB20-PC40-4 is the perfect solution for a wide variety of surface mount applications.

The LB20-PC40-4 includes the unique and innovative mount system, from Bosch, making every installation quick, simple, and reliable. The mounting system allows for 90 degrees of rotation horizontally, and 45 degrees of rotation vertically, and it can be easily installed on walls and ceilings. The mounting system comes already assembled and ready to be used, ready to make any job easier.

The LB20-PC40-4 has been carefully engineered to resist outdoor environments, without compromising on performance for indoor applications. The full-range speaker is IP54 rated, and its weather-proofing is complemented with exceptional cabinet and grille resistance against sun, salt and moisture. All LB20 models are available in black or white, and can be easily painted to match the décor. Transformer versions are also available for constant voltage systems.

The wide range of LB20 surface mount speakers has been designed to work together as a complete system in a variety of different surface mount constructions, and to be used in combination with other LB20 ceiling and in-wall speakers.

Certifications and approvals

Region	Regulatory compliance/quality marks
Europe	CE

Technical specifications

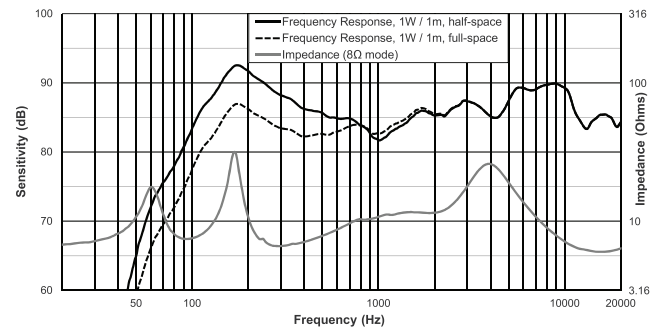
Frequency response (-3 dB):	100 Hz - 20 kHz ¹
Frequency response (-10 dB):	75 Hz - 20 kHz ¹
Sensitivity:	87 dB ²
Max SPL (calculated):	103 dB (109 dB Peak)
Coverage angle:	Horizontal 110°, Vertical 110°
Power handling:	40 W (160 W Peak) Continuous Pink Noise (100 hours)
Low Z:	Yes
Nominal impedance:	8 Ω
Minimum impedance:	6 Ω
Recommended High-Pass:	70 Hz (24 dB/octave)
Input transformer (70V/100V):	No
LF transducer:	4 inch (102 mm)
HF transducer:	0.75 inch (20 mm)
Connectors:	Captive screws on wall bracket. Removable locking 4-pin connector (Euroblock) - (2) for connection to additional speakers in a distributed line. Max. wire size 12AWG (2.5 mm)
Environmental:	IP54 (per IEC-60529)
Color:	Black or white
Dimensions (H x W x D):	193 mm x 140 mm x 120 mm (7.6 in x 5.5 in x 4.7 in) ³
Net weight:	1.5 kg (3.3 lb)
Shipping weight (pair):	5 kg (11.0 lb)
Included hardware:	Mounting bracket and 4-mm Allen wrench
Packaged quantity:	2

¹Half-space (wall mounting).

²Half-space (on wall) averaged 100 Hz - 10 kHz, 1 W.

³Without brackets.

Frequency response and impedance:



Architectural and engineering specifications:

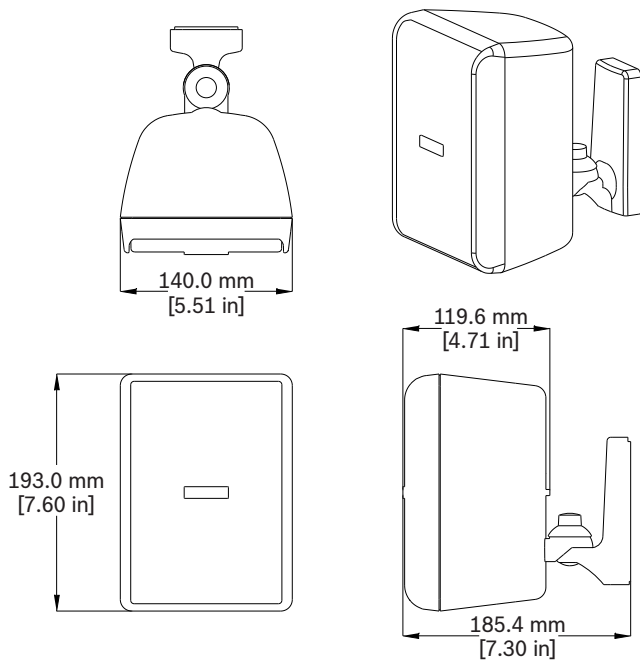
The loudspeaker shall be a surface mount, two-way, full-range system, with an internal passive crossover. The loudspeaker's low-frequency transducer shall be a 4" (102 mm) woofer, with a weather resistant polypropylene cone, and a 1" (25 mm) voice-coil. The loudspeaker's high-frequency transducer shall be a 0.75" (20 mm) Ferro fluid cooled driver.

The loudspeaker system shall meet the following performance criteria: Power handling, 40 W of IEC 60268-5 continuous pink noise (6 dB crest factor); Frequency response, 75 Hz - 20 kHz (-10 dB from rated sensitivity); Sensitivity, 87 dB at one watt, 100 Hz - 10 kHz at one meter; Impedance, 8 Ohm nominal, 6 Ohm minimum.

The high-frequency transducer shall drive a waveguide to cover evenly 110° horizontally by 110° vertically. The finish shall be paintable black (RAL 9004) or paintable white (RAL 9003). The grille shall be zinc plated, and powder coated for corrosion resistance. The loudspeaker shall be adjustable over a range of 90° horizontally and 45° vertically. The support bracket shall be integral with the enclosure. The loudspeaker shall have a ball-and-socket mounting system with a quick attach and detach operation. Electrical connections shall be through the wall-portion of the mounting system, and there should be no exposed wire. The loudspeaker shall have a secondary electrical connection through a 4-pin detachable Euroblock connector.

The system shall be weather resistant to IEC 60068-2-5 Solar Radiation, IEC 60068-2-11 Salt Mist, IEC 60068-2-42 SO₂, IEC 60068-2-60 Chlorine, and IEC 60529 IP54 test conditions. The mounting system shall be EIA 636 tested, at a safety factor of 8:1 or better. The enclosure shall be molded of fire rated ABS plastic. The loudspeaker shall weigh 1.5 kg (3.3 lb) and its dimensions shall be 193 mm (7.6 in) high, 140 mm (5.5 in) wide, and 120 mm (4.7 in) deep. The surface mount loudspeaker shall be the LB20-PC40-4 model from Bosch.

Dimensions:



Ordering information

LB20-PC40-4D Cabinet speaker 4" 8 Ohm black pair

Two-way 4-inch cabinet loudspeaker, with easy wall-mount system, 8 Ohm, weather-resistant IP54 (packaged in pairs), black
Order number **LB20-PC40-4D**

LB20-PC40-4L Cabinet speaker 4" 8 Ohm white pair

Two-way 4-inch cabinet loudspeaker, with easy wall-mount system, 8 Ohm, weather-resistant IP54 (packaged in pairs), white
Order number **LB20-PC40-4L**

Represented by:

Europe, Middle East, Africa:
Bosch Security Systems B.V.
P.O. Box 80002
5600 JB Eindhoven, The Netherlands
Phone: + 31 40 2577 284
emea.securitysystems@bosch.com
emea.boschsecurity.com

Germany:
Bosch Sicherheitssysteme GmbH
Robert-Bosch-Ring 5
85630 Grasbrunn
Germany
www.boschsecurity.com

North America:
Bosch Security Systems, Inc.
130 Perinton Parkway
Fairport, New York, 14450, USA
Phone: +1 800 289 0096
Fax: +1 585 223 9180
onlinehelp@us.bosch.com
www.boschsecurity.us

Asia-Pacific:
Robert Bosch (SEA) Pte Ltd, Security Systems
11 Bishan Street 21
Singapore 573943
Phone: +65 6571 2808
Fax: +65 6571 2699
apr.securitysystems@bosch.com
www.boschsecurity.asia