

## Installation

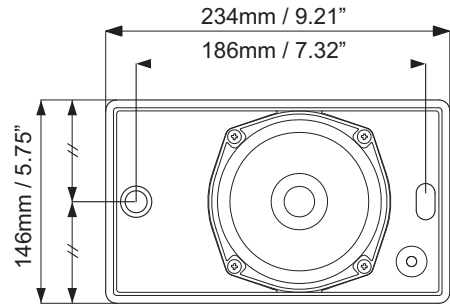


Fig. 1:

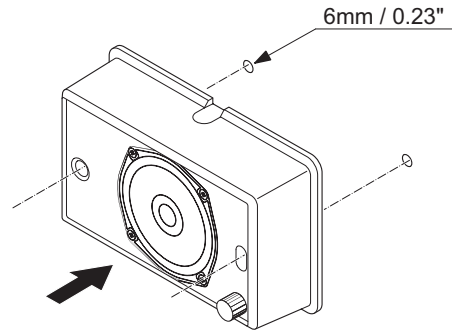


Fig. 2:

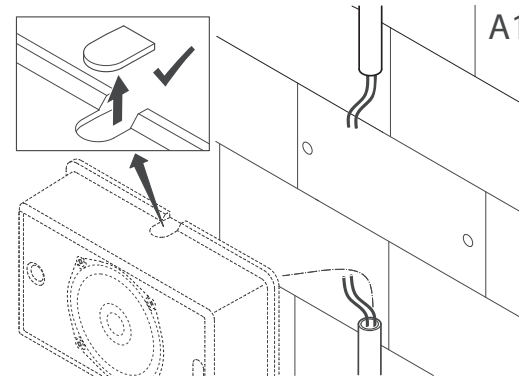


Fig. 3:

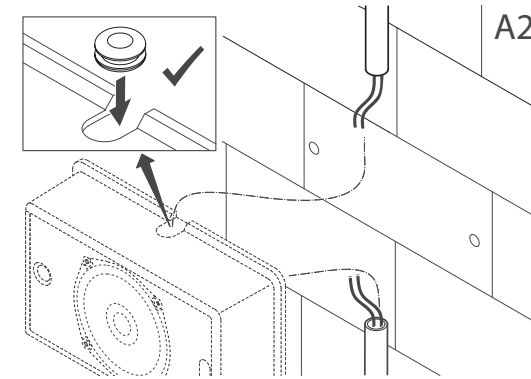


Fig. 4:

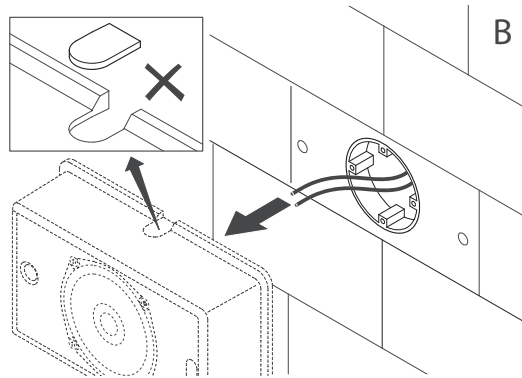


Fig. 5:

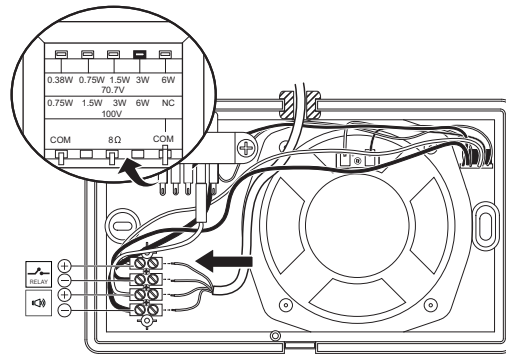


Fig. 6:

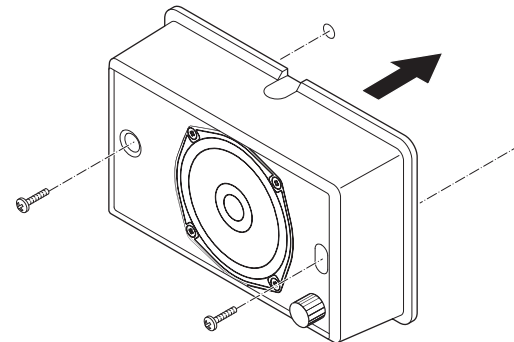


Fig. 7:

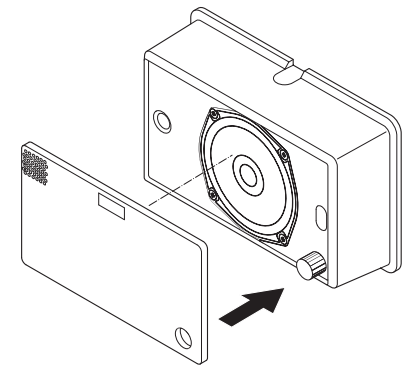


Fig. 8:

## Circuit diagrams

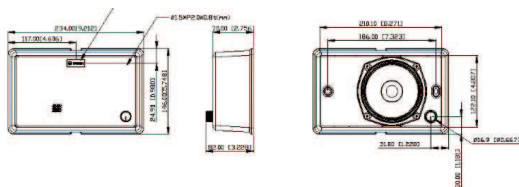


Fig. 9: Dimensions in mm (in)

## LB7-UC06VR

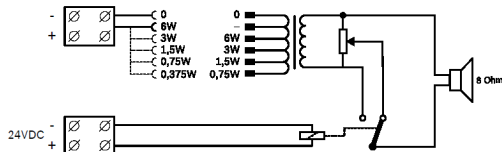


Fig. 10: Circuit diagram

## Technical data

### Electrical\*

Rated power (PHC)	6 W
Transformer taps	70 V: 6 W, 3 W, 1.5 W, 0.75 W, 0.375 W 100 V: 6 W, 3 W, 1.5 W, 0.75 W
Sound pressure level at 6 W/1 W (1 kHz, 1 m)	102 / 94 dB
Sound pressure level at 6 W/1 W (1 kHz, 4 m)	90 / 82 dB
Frequency response (-10 dB)	160 Hz to 20 kHz

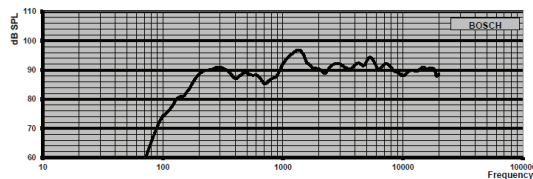


Fig. 11: Frequency response

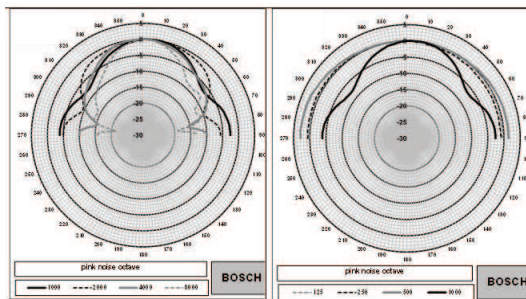


Fig. 12: Polar diagrams

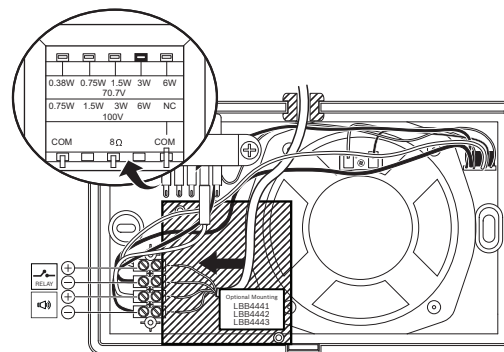


Fig. 13: Optional EOL board

## LB7-UC06VR ABS cabinet loudspeaker 6 W with VR LB7-UC06VR



### en Installation note

Opening angle at 1 kHz / 4 kHz (-6 dB)	180° / 85° (horizontal) 180° / 98° (vertical)
Rated voltage	70 / 100 V
Rated impedance	835 / 1667 Ohm@6 W 1667 / 3333 Ohm@3 W 3333 / 6667 Ohm@1.5 W 6667 / 13333 Ohm@0.75 W 13363 Ohm@0.375 W (70 V only)
<b>Override relay</b>	
Voltage	24 V DC
Current consumption	20 mA
Connector	2 x 2-pole ABS screw terminal block
Acceptable wire gauge	0.5 to 4 mm <sup>2</sup>

\* Technical performance data acc. to IEC 60268-5

### Mechanical

Dimensions (H x W x D)	146 x 234 x 70 / 82 mm
Weight	1.15 kg
Color	White (RAL 9003)

### Environmental

Operating temperature	-10 to +55 (14°F to +131°F)
Storage and transport temperature	-40 °C to +70 °C (-40 °F to +158 °F)
Relative humidity	< 95%

**Bosch Security Systems B.V.**  
Torenallee 49  
5617 BA Eindhoven  
The Netherlands  
[www.boschsecurity.com](http://www.boschsecurity.com)  
© Bosch Security Systems B.V., 2019