

Installation

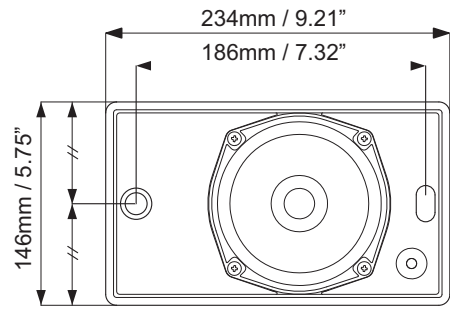


Fig. 1:

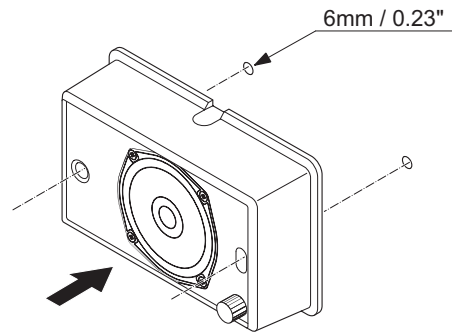


Fig. 2:

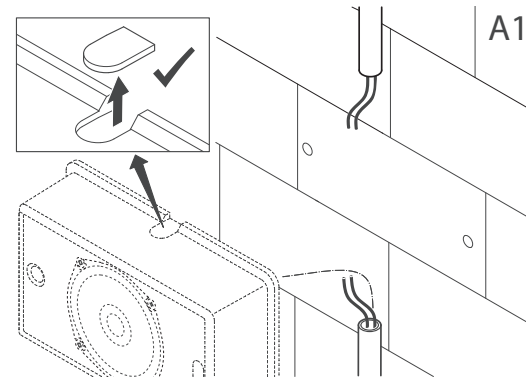


Fig. 3:

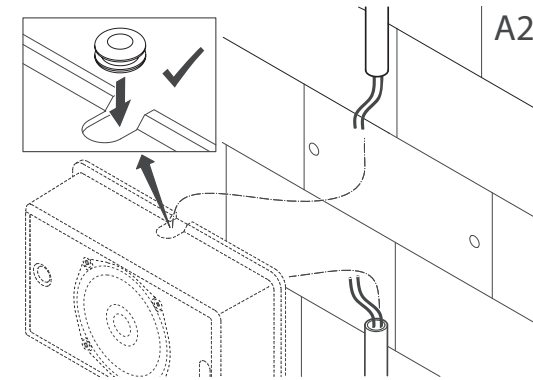


Fig. 4:

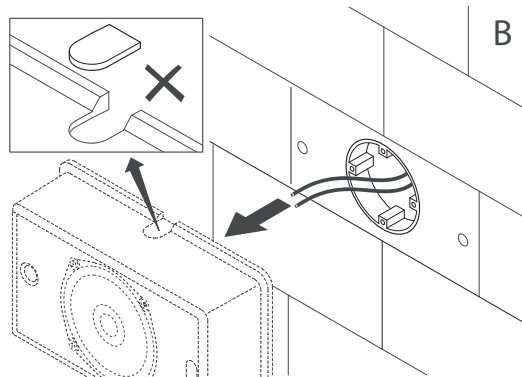


Fig. 5:

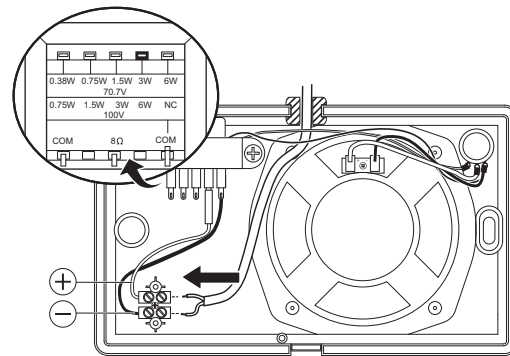


Fig. 6:

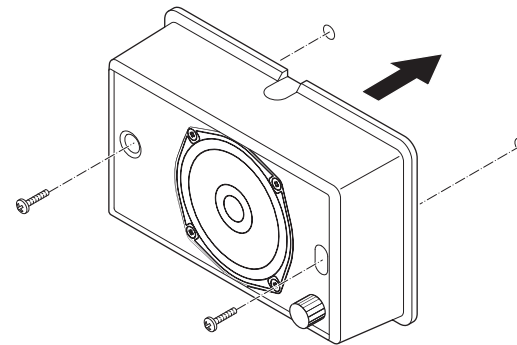


Fig. 7:

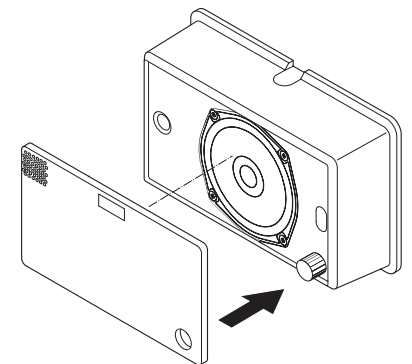


Fig. 8:

Circuit diagrams

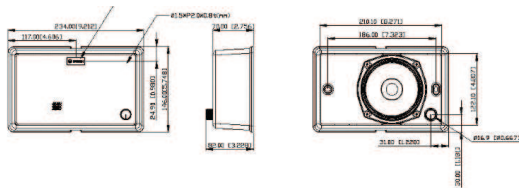


Fig. 9: Dimensions in mm (in)

LB7-UC06V

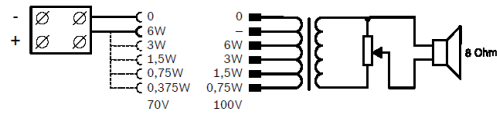


Fig. 10: Circuit diagram

Technical data

Electrical*

Rated power (PHC)	6 W
Transformer taps	70 V: 6 W, 3 W, 1.5 W, 0.75 W, 0.375 W 100 V: 6 W, 3 W, 1.5 W, 0.75 W
Sound pressure level at 6 W/1 W (1 kHz, 1 m)	102 dB / 94 dB
Sound pressure level at 6 W/1 W (1 kHz, 4 m)	90 dB / 82 dB
Frequency response (-10 dB)	160 Hz to 20 kHz

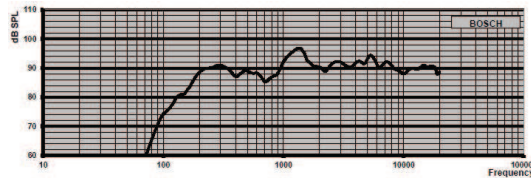


Fig. 11: Frequency response

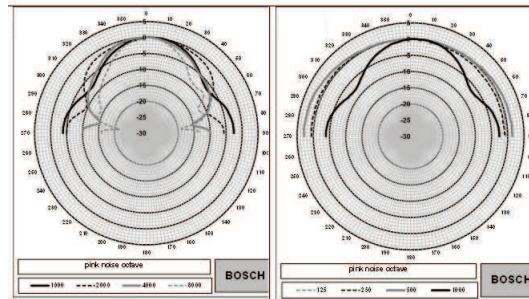


Fig. 12: Polar diagrams

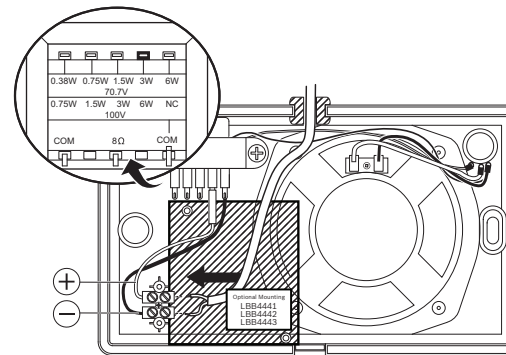


Fig. 13: Optional EOL board

LB7-UC06V ABS cabinet loudspeaker 6 W with VC LB7-UC06V



en Installation note

Opening angle at 1 kHz / 4 kHz (-6 dB)	180° / 85° (horizontal) 180° / 98° (vertical)
Rated voltage	70 / 100 V
Rated impedance	835 / 1667 Ohm@6 W 1667 / 3333 Ohm@3 W 3333 / 6667 Ohm@1.5 W 6667 / 13333 Ohm@0.75 W 13363 Ohm@0.375 W (70 V only)
Connector	1 x 2-pole ABS screw terminal block
Acceptable wire gauge	0.5 to 4 mm ²

* Technical performance data acc. to IEC 60268-5

Mechanical

Dimensions (H x W x D)	146 x 234 x 70 / 82 mm
Weight	1.1 kg

Color	White (RAL 9003)
Environmental	
Operating temperature	-10 to +55 (14°F to +131°F)
Storage and transport temperature	-40 °C to +70 °C (-40 °F to +158 °F)
Relative humidity	< 95%

Bosch Security Systems B.V.
Torenallee 49
5617 BA Eindhoven
The Netherlands
www.boschsecurity.com
© Bosch Security Systems B.V., 2019