

LB9-UC06 Cabinet speaker 6W white



- ▶ Suitable for speech and music reproduction
- ▶ Easy to install
- ▶ Simple power setting
- ▶ Knock-out ports for cable entries

The LB9-UC06 is a compact, 6W, general-purpose, cost-effective, indoor loudspeaker with a perforated metal grille. It is designed for a wide range of applications and has excellent speech and music performance. The loudspeaker is with two mounting screws.

Functions

The LB9-UC06 has a perforated metal grille with a plastic surround, finished in an attractive white RAL 9003 color.

The loudspeaker features a very wide opening angle, which means fewer units are required to cover a given area. The wide frequency range means better speech and better music reproduction. The unit is supplied with a 100V matching transformer with taps on the primary winding for full-power, half-power, and quarter-power radiation.

Certifications and approvals

Quality assurance

All Bosch loudspeakers are designed to withstand operating at their rated power for 100 hours in accordance with IEC 60268-5 Power Handling Capacity (PHC) standards. Bosch has also developed the Simulated Acoustical Feedback Exposure (SAFE) test to demonstrate that they can withstand two times their rated power for short durations. This ensures improved reliability under extreme conditions, leading

to higher customer satisfaction, longer operating life, and lessens the chance of failure or performance deterioration.

Safety acc. to EN 62368-1

Region	Certification
Europe	CE, IEC 62368-1

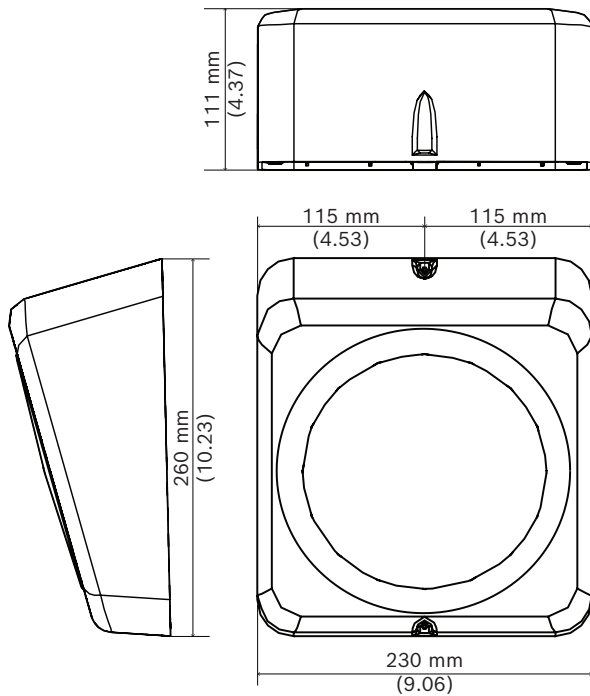
Region	Regulatory compliance/quality marks	
Europe	CE	DECL EC LB9-UC06 DECL EC LB9-UC06

Installation/configuration notes

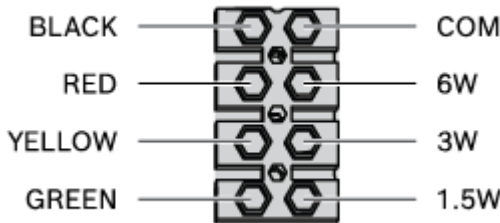
Installation/configuration notes

Installation is very easy with 2 mounting screw holes accessible from the front. Wiring is via a screw-terminal inside the speaker, and knock-out holes are available on the top for wiring accessibility.

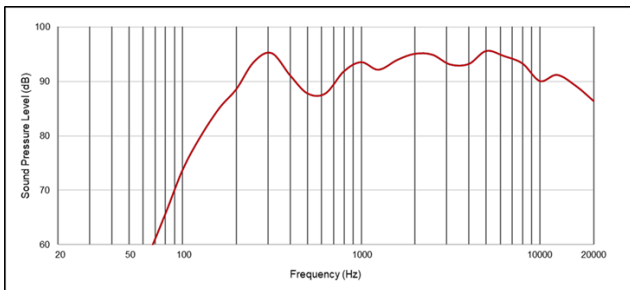
Dimensions



Wiring Diagram



Frequency Response



Parts included

Quantity	Component
6	LB9-UC06 Cabinet Speaker 6W
1	Installation Instructions

Technical specifications

Power handling	6 W
Rated Frequency Range (-10 dB)	135 Hz - 20 kHz
Frequency Response (Peak -20 dB) ⁽¹⁾	110 Hz - 20 kHz
Sensitivity (SPL 1 W/1 m)	92 dB
Max SPL (SPL 6 W/1 m)	100 dB
Coverage Pattern @ 1 kHz/4 kHz (-6dB)	130° / 70°
Rated Impedance	1667 Ω@6 W 3333 Ω@3 W 6667 Ω@1.5 W
Input Configuration	100 V
Transformer Taps	6, 3, 1.5 W
Dimensions (Diameter x Height)	230 x 111 mm
Net Weight	0.93 kg
Shipping Weight (6 units)	6.8 kg
Color	White (RAL 9003)
Approvals	CE, IEC 62368-1
Operating temperature	-25 °C to +55 °C (-13 °F to +131 °F)
Storage temperature	-40 °C to +70 °C (-40 °F to +158 °F)
Relative humidity	<95%

* Technical performance data acc. to IEC 60268-5

⁽¹⁾ For comparison purposes

Ordering information

LB9-UC06 Cabinet speaker 6W white

Compact, general-purpose cabinet speaker, 6W, perforated metal grille, no backcan, white

Order number

Asset Key Vepos

LB9-UC06 | F.01U.387.363

Represented by:

Europe, Middle East, Africa:
Bosch Security Systems B.V.
P.O. Box 80002
5600 JB Eindhoven, The Netherlands
Phone: + 31 40 2577 284
emea.securitysystems@bosch.com
emea.boschsecurity.com

Germany:
Bosch Sicherheitssysteme GmbH
Robert-Bosch-Ring 5
85630 Grasbrunn
Germany
www.boschsecurity.com

North America:
Bosch Security Systems, LLC
130 Perinton Parkway
Fairport, New York, 14450, USA
Phone: +1 800 289 0096
Fax: +1 585 223 9180
onlinehelp@us.bosch.com
www.boschsecurity.us

Asia-Pacific:
Robert Bosch (SEA) Pte Ltd, Security Systems
11 Bishan Street 21
Singapore 573943
Phone: +65 6571 2808
Fax: +65 6571 2699
apr.securitysystems@bosch.com
www.boschsecurity.asia