

Installation

LBC 3095/15

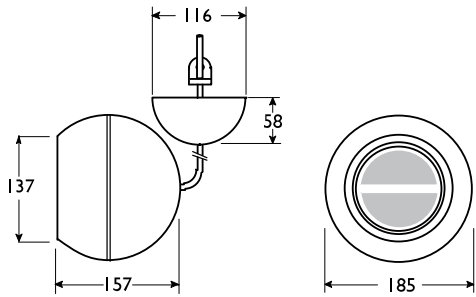
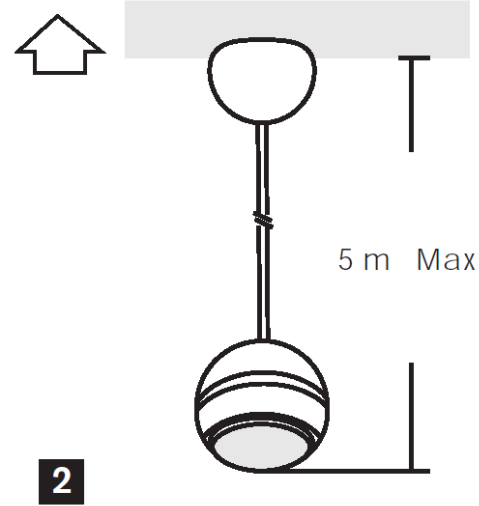
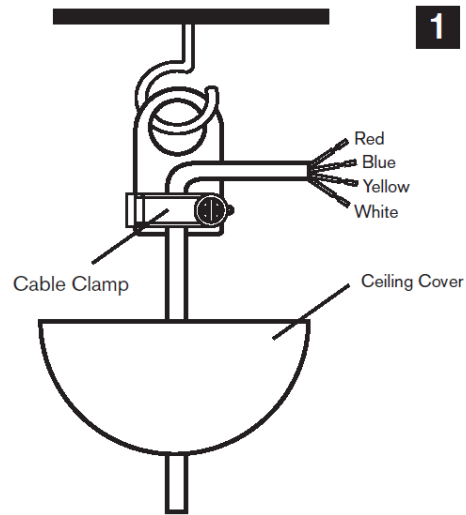


Fig. 1: Dimensions (in mm)



Circuit diagrams

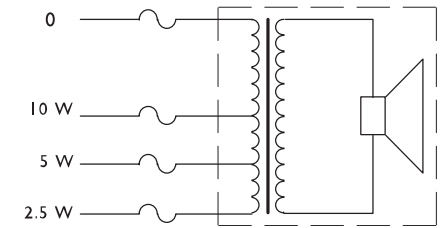


Fig. 2: Circuit diagram

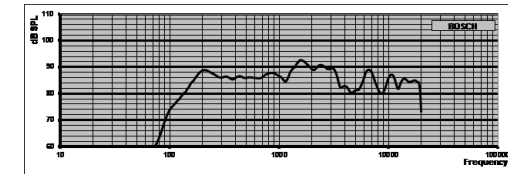
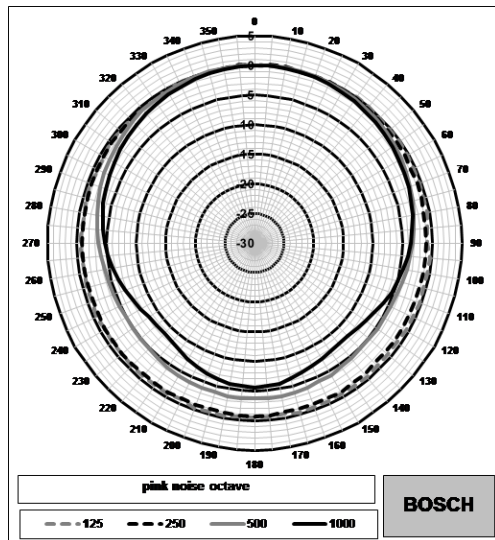
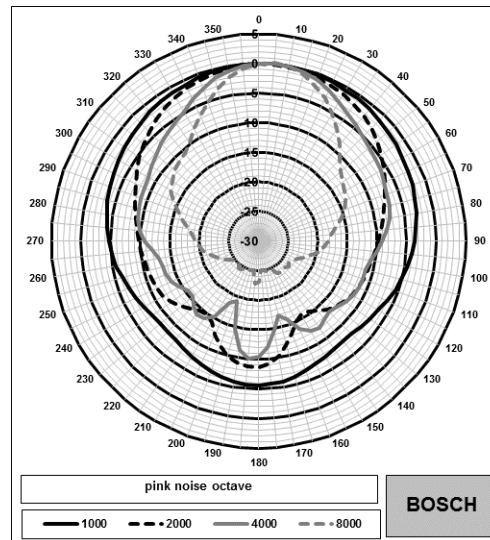


Fig. 3: Frequency response



Polar diagram (low frequency part)

Normalized at the 0°-axis.



Polar diagram (high frequency part)

Normalized at the 0°-axis.

Technical data

Electrical*

Maximum power	15 W
Rated power	10 / 5 / 2.5 W
Sound pressure level at 10 W / 1 W (1 kHz, 1 m)	98 dB / 88 dB (SPL)
Opening angle at 1 kHz / 4 kHz (-6 dB)	216° / 103°
Effective frequency range (-10 dB)	120 Hz to 20 kHz
Rated voltage	100 V
Rated impedance	1000 ohm
Connection	5 m 4-core cable (4 x 0.5 mm ² / 20 AWG)

Environmental

Operating temperature	-25 °C to +55 °C (-13 °F to +131 °F)
Storage and transport temperature	-40 °C to +70 °C (-40 °F to +158 °F)
Relative humidity	<95%

Mechanical

Dimensions (D x L)	185 x 157 mm (7.3 x 6.2 in)
Weight	1.64 kg (3.61 lb)
Color	White (RAL 9010)

Intentionally left blank



LBC3095/15 Pendant sphere loudspeaker,
10W



en Installation note