

LBC3483/00 Horn Loudspeaker 35W

www.boschsecurity.com



BOSCH
Invented for life



- ▶ High efficiency driver
- ▶ Excellent speech reproduction
- ▶ Provision for inside mounting of the optional line/loudspeaker supervision board
- ▶ Water-and dust protected to IP 65
- ▶ EN 54-24 certified

Bosch high-efficiency horn loudspeakers provide excellent speech reproduction and sound distribution for a wide scope of outdoor applications. They are ideal for sports grounds, parks, exhibitions, factories and swimming pools.

The LBC 3483/00 is a circular, 35 W horn loudspeaker, measuring 490 mm (19.6 in) in diameter. It is made from aluminum. The edges of the horn are covered with a PVC profile for protection against impact damage. It is light gray (RAL 7035), and is water and dust protected.

Voice alarm loudspeaker

The LBC 3483/00 is designed for use in voice alarm systems and is compliant with emergency standards. The horn loudspeaker has built-in protection to ensure that, in the event of a fire, damage to the loudspeaker does not result in failure of the circuit to which it is connected. In this way, system integrity is maintained; ensuring loudspeakers in other areas can still be used to inform people of the situation. The Horn loudspeaker has a ceramic terminal block, thermal fuse and heat resistant, high-temperature wiring. They have provision for inside mounting the optional line/loudspeaker supervision boards.

Functions

The rear cover on the horn is made from self-extinguishing ABS (acc. to class UL 94 V0). The connection cable is fed out through a cable gland (PG 13.5) in rear cover. For loop through connection, the rear cover is fitted with a second hole (covered as standard supplied).

These integrated horns are also available as separate horn and driver, allowing installing any combination of horn and driver. See order information for the type numbers.

Certifications and approvals

All Bosch loudspeakers are designed to withstand operating at their rated power for 100 hours in accordance with IEC 268-5 Power Handling Capacity (PHC) standards. Bosch has also developed the Simulated Acoustical Feedback Exposure (SAFE) test to demonstrate that they can withstand two times their rated power for short durations. This ensures extra reliability under extreme conditions, leading to higher customer satisfaction, longer operation life, and much less chance of failure or performance deterioration.

Safety	acc. to EN 60065
Water and dust protection	acc. to IEC 60529, IP 65
Emergency	acc. to EN 54-24 / BS 5839-8 / EN 60849
Wind-force	acc. to NEN 6702: 2007 + A1: 2008, Bft11

Region	Certification
Europe	CE
	CE DOC (IP)
	CPD

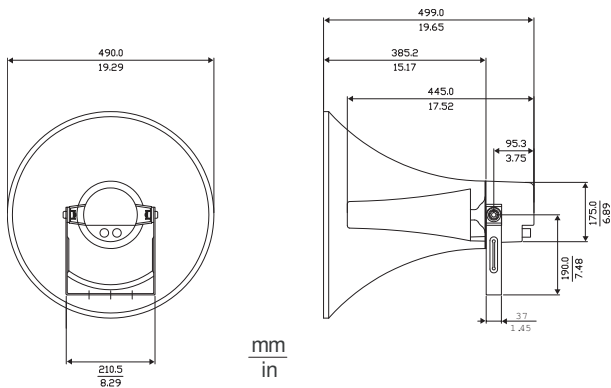
Installation/configuration notes

Simple Power Setting

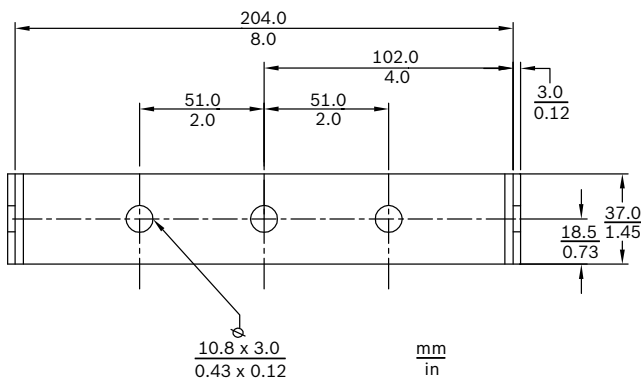
The horn has a three-way terminal block with screw connection (including earth). Three primary taps are provided on the matching transformer to allow selection of nominal full-power, half-power or quarter-power radiation (in 3 dB steps).

Mounting

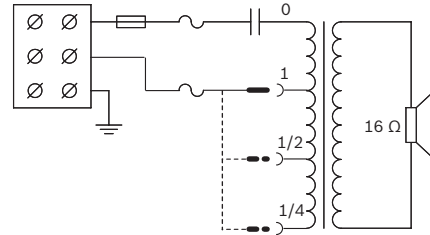
The horn loudspeakers are supplied complete with sturdy adjustable steel mounting brackets, allowing the sound beam to be accurately directed.



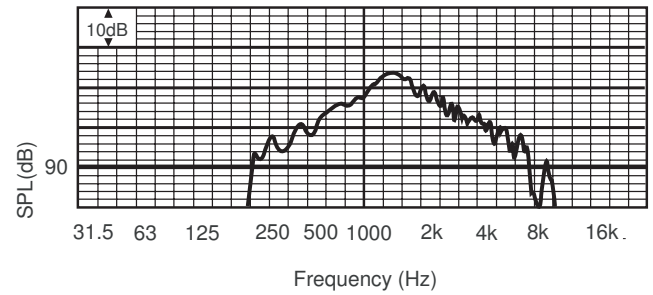
Dimensions in mm (in)



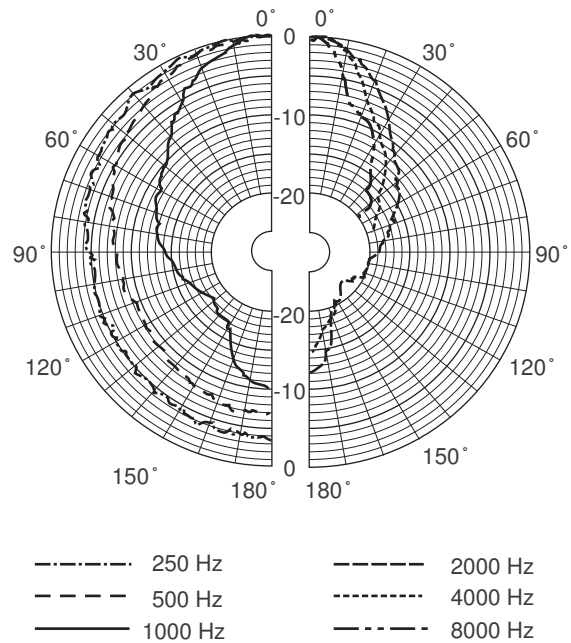
Bracket dimensions



Circuit diagram



Frequency response



Polar diagram (measured in pink noise)

Octave band sensitivity *

	Octave SPL 1W/1m	Total octave SPL 1W/1m	Total octave SPL Pmax/1m
125 Hz	74.0	-	-
250 Hz	91.7	-	-
500 Hz	102.5	-	-
1000 Hz	111.3	-	-
2000 Hz	106.5	-	-

3 | Horn Loudspeaker 35W

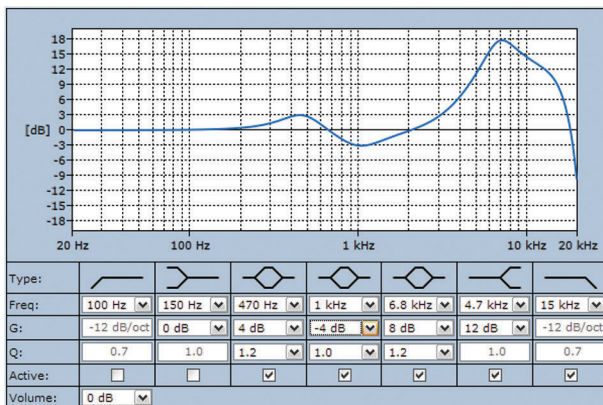
4000 Hz	99.9	-	-
8000 Hz	92.6	-	-
A-weighted	-	103.5	117.1
Lin-weighted	-	103.4	115.6

Octave band opening angles

	Horizontal	Vertical	
125 Hz	-	-	
250 Hz	179	179	
500 Hz	93	93	
1000 Hz	55	55	
2000 Hz	37	37	
4000 Hz	26	26	
8000 Hz	15	15	

Acoustical performance specified per octave

- (all measurements are done with a pink noise signal; the values are in dB SPL)



Specified active equalization, required for EN54-24

Parts included

Quantity	Component
1	LBC 3483/00 Horn Loudspeaker
1	PG 13.5 cable gland (fitted)

Technical specifications

Electrical*

Maximum power	52.5 W
Rated power	35 / 17.5 / 8.75 W
Sound pressure level at 35 W / 1 W (1 kHz, 1 m)	127 dB / 112 dB (SPL)
Sound pressure level at 35 W / 1 W (1 kHz, 4 m)	115 dB / 100 dB (SPL)

Effective frequency range (-10 dB)	380 Hz to 5 kHz	
Opening angle at 1 kHz/4 kHz (-6 dB)	50° / 25°	
Rated voltage	100 V	
Rated impedance	35 W	285 Ohm
	17.5 W	571 Ohm
	8.75 W	1142 Ohm
Connector	Screw terminal block	

* Technical performance data acc. to IEC 60268-5

Mechanical


Dimensions (L x Dmax)	499 x 490 mm (20 x 19.6 in)
Weight	4.5 kg (9.9 lb)
Color	Light gray (RAL 7035)
Cable diameter	6 mm to 12 mm (0.24 in to 0.47 in)

Environmental

Operating temperature	-25 °C to +55 °C (-13 °F to +131 °F)
Storage and transport temperature	-40 °C to +70 °C (-40 °F to +158 °F)
Relative humidity	<95%

Note:

- The specification data is measured in an anechoic chamber, free field
- The reference axis is perpendicular to the center point of the front grille
- The reference plane is perpendicular to the center of the reference axis
- The horizontal plane is perpendicular to the center of the reference plane

 1438
Bosch Security Systems BV Torenallee 49, 5617 BA Eindhoven, the Netherlands 10 1438/CPD/0191
EN 54-24:2008 Loudspeaker for voice alarm systems for fire detection and fire alarm systems for buildings Horn Loudspeaker 35 W LBC3483/00 Type B DoP: LP062924

CE-label

Ordering information

Horn Loudspeaker 35W

Horn loudspeaker 35 W, circular 20", aluminum/ABS material, U-bracket mounting, water and dust protected IP65, EN54-24 certified, light gray RAL 7035.
Order number **LBC3483/00**

Accessories

DRIVER UNIT 25W (EVAC)

Horn driver 25 W, for use with LBC3478/00 (14") or LBC3479/00 (20") horns, light gray RAL 7035.
Order number **LBC3472/00**

DRIVER UNIT 35W (EVAC)

Horn driver 35 W, for use with LBC3478/00 (14") or LBC3479/00 (20") horns, light gray RAL 7035.
Order number **LBC3473/00**

Horn driver assembly, 50W

Horn driver 50 W, for use with LBC3478/00 (14") or LBC3479/00 (20") horns, light gray RAL 7035.
Order number **LBC3474/00**

LBC 3478/00 Horn, 14" without Driver

Horn 14" without driver, aluminum material, for use with horn drivers LBC3472/00 (25 W), LBC3473/00 (35 W), and LBC3474/00 (50 W), light gray RAL 7035.
Order number **LBC 3478/00**

Horn, 20", assembly part

Horn 20" without driver, aluminum material, for use with horn drivers LBC3472/00 (25 W), LBC3473/00 (35 W), and LBC3474/00 (50 W), light gray RAL 7035.
Order number **LBC3479/00**

Represented by:

Europe, Middle East, Africa:
Bosch Security Systems B.V.
P.O. Box 80002
5600 JB Eindhoven, The Netherlands
Phone: + 31 40 2577 284
emea.securitysystems@bosch.com
emea.boschsecurity.com

Germany:
Bosch Sicherheitssysteme GmbH
Robert-Bosch-Ring 5
85630 Grasbrunn
Germany
www.boschsecurity.com

North America:
Bosch Security Systems, Inc.
130 Perinton Parkway
Fairport, New York, 14450, USA
Phone: +1 800 289 0096
Fax: +1 585 223 9180
onlinehelp@us.bosch.com
www.boschsecurity.us

Asia-Pacific:
Robert Bosch (SEA) Pte Ltd, Security Systems
11 Bishan Street 21
Singapore 573943
Phone: +65 6571 2808
Fax: +65 6571 2699
apr.securitysystems@bosch.com
www.boschsecurity.asia