

LBD3903-D Cabinet loudspeaker 12W, black



- ▶ Good speech intelligibility and background music reproduction
- ▶ MDF construction

The LBD3903-D is a 12W, general-purpose, cost effective loudspeaker for indoor use. Keyholes at the rear are provided for quick and easy wall mounting. The angled front baffle results in a better sound in the listening area.

Functions

The robust, solid MDF (Medium Density Fiber board) enclosures are covered with a durable, easy-to-clean black vinyl. The ABS fronts are covered with fine woven cloth in matching color.

The loudspeaker has been tested for operation at rated power for 100 hours in accordance with IEC 268-5 Power Handling Capacity (PHC) standards.

Installation/configuration notes

Three keyholes in the rear panel provide easy and quick wall mounting. A convenient, easy-to-use, 4-pole push-in terminal block is on the rear panel for on-site wiring. This terminal block has provision for power tapping on the 100-volt, matching transformer in the cabinet. It allows selection of nominal full-power, half-power or quarter power radiation (in 3 dB steps).

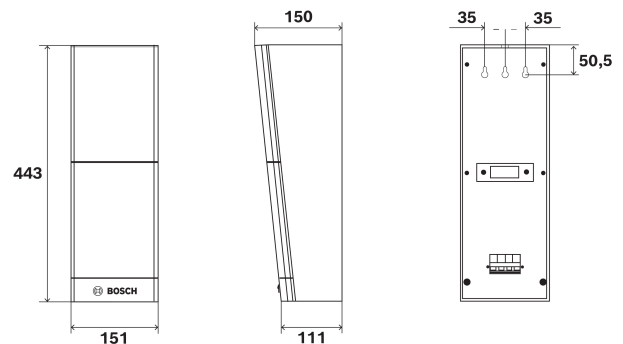


Fig. 1: Dimensions in mm

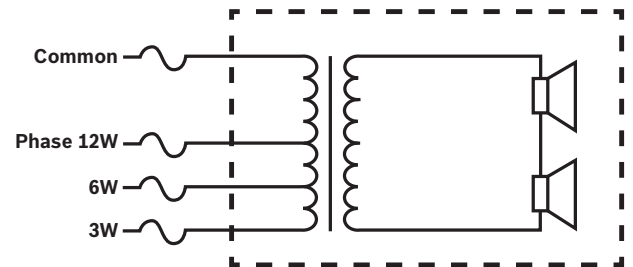


Fig. 2: Circuit diagram

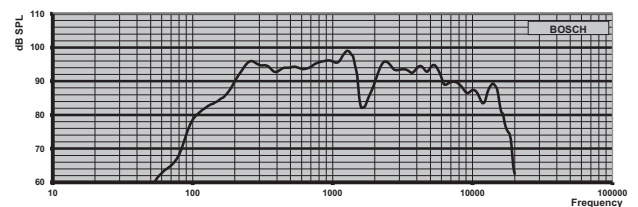


Fig. 3: Frequency response

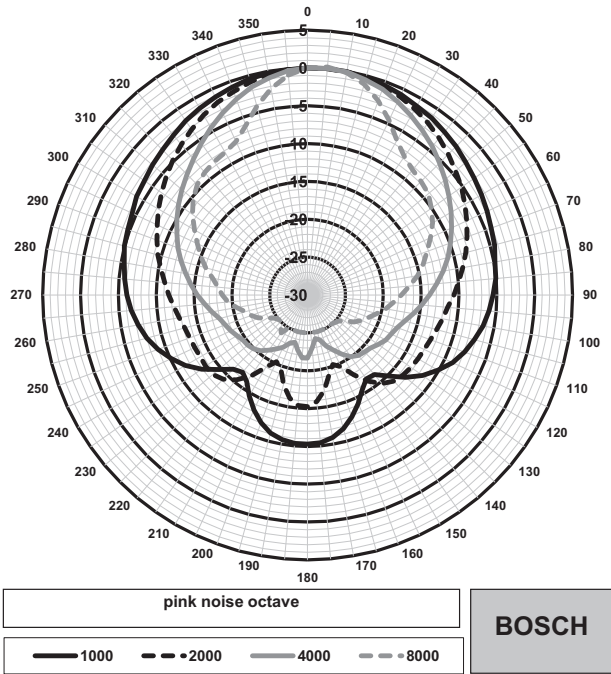


Fig. 4: Normalized horizontal polar plot

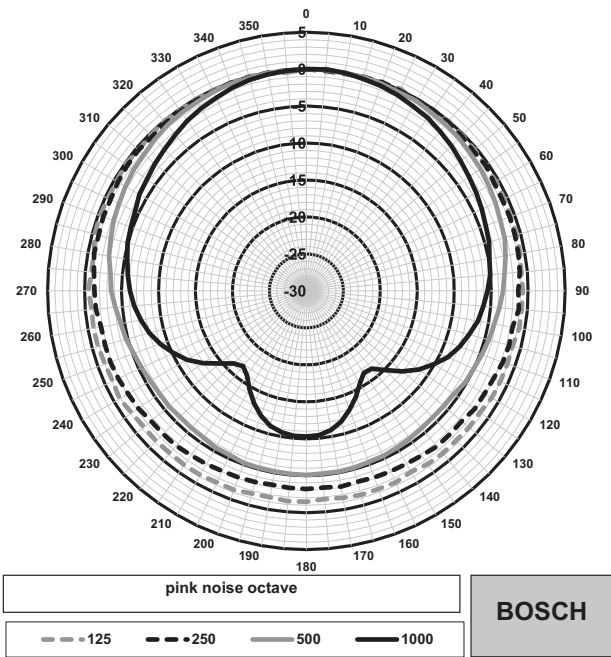


Fig. 5: Normalized horizontal polar plot

Octave band sensitivity*

	Octave SPL 1W/1m	Total octave SPL 1W/1m	Total octave SPL Pmax/1m
125 Hz	82.1	-	-
250 Hz	94.9	-	-
500 Hz	93.6	-	-

1000 Hz	97.7	-	-
2000 Hz	93.5	-	-
4000 Hz	94.2	-	-
8000 Hz	90.6	-	-
A-weighted	-	91.7	102.0
Lin-weighted	-	92.5	102.9

(1/1)th octave band sensitivity

Octave band opening angles

	Horizontal	Vertical
125 Hz	360	360
250 Hz	360	360
500 Hz	360	126
1000 Hz	184	66
2000 Hz	112	88
4000 Hz	86	58
8000 Hz	49	44

Acoustical performance specified per octave* (all measurements are done with a pink noise signal; the values are in dB SPL).

Parts included

Quantity	Component
1	LBD3903-D Cabinet loudspeaker 12W, black

Technical specifications

Electrical

Rated power	12W (12 W / 6 W / 3 W)
Sound pressure level at 6 W / 1 W (1 kHz, 1 m)	102.0 dB / 91.7 dB (SPL)
Effective frequency range	150 Hz to 15 kHz
Opening angle horizontal at 1kHz / 4kHz (-6dB)	184° / 86°
Opening angle vertical at 1kHz / 4kHz (-6dB)	66° / 58°
Rated impedance	833 ohm

Rated input voltage	100 V
Connector	4-pole push-in terminal

Mechanical

Dimensions (H x W x D)	445 mm x 151 mm x 150 mm / 111 mm
Weight	2.6 kg
Color	Black

Environmental

Operating temperature	-5 °C to +55 °C
Storage temperature	-40 °C to +70 °C

Ordering information

LBD3903-D Cabinet loudspeaker 12W, black

Cabinet loudspeaker 12 W, MDF enclosure, finished in black, with keyholes for wall mounting.

Order number **LBD3903-D | F.01U.294.065**

Represented by:

Europe, Middle East, Africa:
Bosch Security Systems B.V.
P.O. Box 80002
5600 JB Eindhoven, The Netherlands
www.boschsecurity.com/xc/en/contact/
www.boschsecurity.com

Germany:
Bosch Sicherheitssysteme GmbH
Robert-Bosch-Platz 1
D-70839 Gerlingen
www.boschsecurity.com

North America:
Bosch Security Systems, LLC
130 Perinton Parkway
Fairport, New York, 14450, USA
www.boschsecurity.com

Asia-Pacific:
Robert Bosch (SEA) Pte Ltd, Security Systems
11 Bishan Street 21
Singapore 573943
www.boschsecurity.com/xc/en/contact/
www.boschsecurity.com