

LBD3905-D Cabinet loudspeaker 12W (bi-dir), black



- ▶ Good speech intelligibility and background music reproduction
- ▶ Wedge shaped design
- ▶ MDF construction

The LBD3905-D is a 12W, general-purpose, cost effective bidirectional loudspeaker for indoor use. The baffle design creates a wide opening angle, making this loudspeaker very suitable for use in long corridors. Keyholes at the rear are provided for quick and easy wall mounting.

Functions

The robust, solid MDF (Medium Density Fiber board) enclosures are covered with a durable, easy-to-clean black vinyl. The ABS fronts are covered with fine woven cloth in matching color.

The cabinet has two dual cone loudspeaker drivers, mounted on an angled baffle, providing a wide opening angle.

The loudspeaker has been tested for operation at rated power for 100 hours in accordance with IEC 268-5 Power Handling Capacity (PHC) standards.

Installation/configuration notes

Three keyholes in the rear panel provide easy and quick wall mounting.

A convenient, easy-to-use, 4-pole push-in terminal block is on the rear panel for on-site wiring.

This terminal block has provision for power tapping on the 100-volt, matching transformer in the cabinet. It allows selection of nominal full-power, half-power or quarter power radiation (in 3 dB steps).

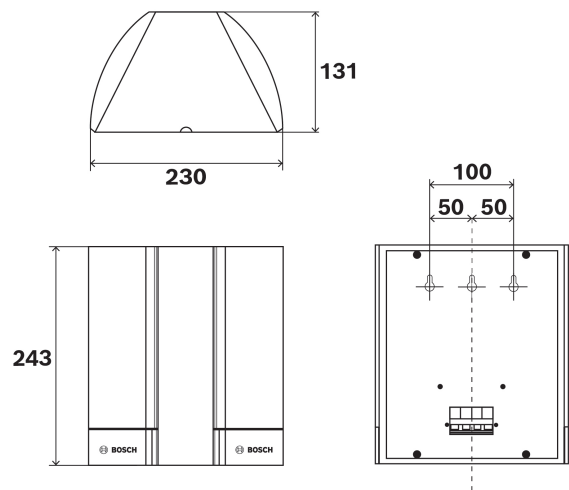


Fig. 1: Dimensions in mm

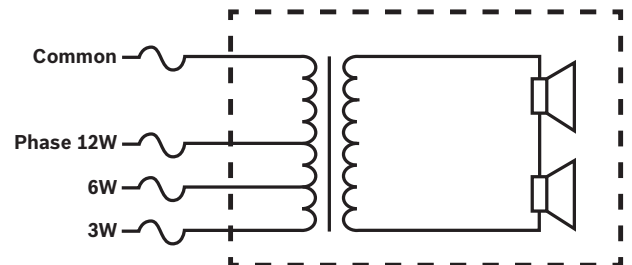


Fig. 2: Circuit diagram

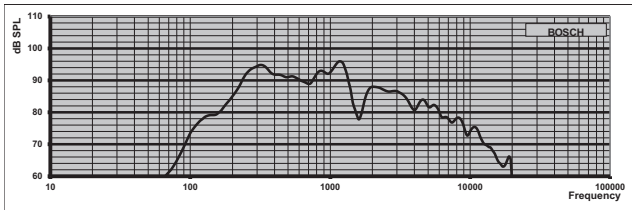


Fig. 3: Frequency response

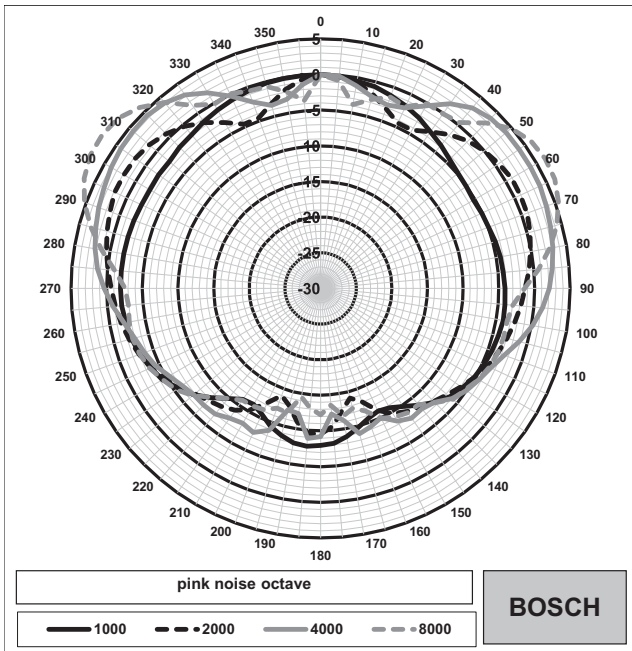


Fig. 4: Normalized polar plot

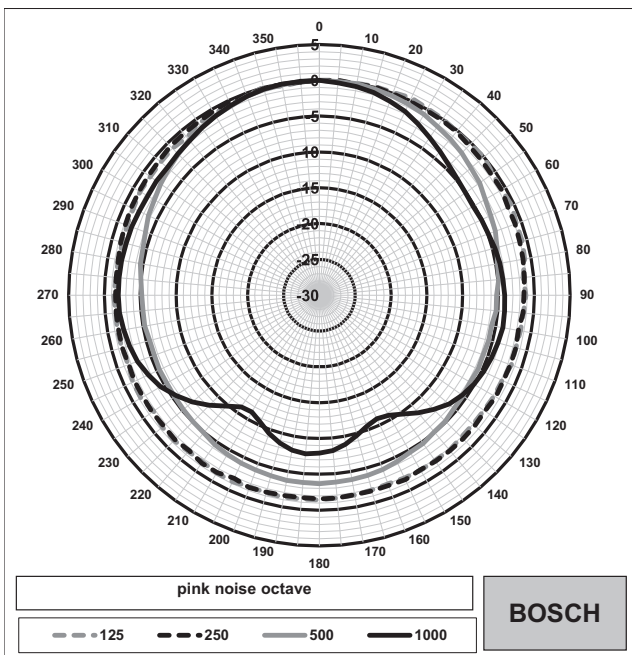


Fig. 5: Normalized polar plot

Octave band sensitivity*

Octave SPL 1W/1m	Total octave SPL 1W/1m	Total octave SPL Pmax/1m

125 Hz	78.1	-	-
250 Hz	92.1	-	-
500 Hz	91.1	-	-
1000 Hz	93.1	-	-
2000 Hz	85.9	-	-
4000 Hz	84.0	-	-
8000 Hz	78.2	-	-
A-weighted	-	85.8	96.0
Lin-weighted	-	87.6	97.9

(1/1)th octave band sensitivity

Octave band opening angles

125 Hz	360
250 Hz	360
500 Hz	360
1000 Hz	254
2000 Hz	251
4000 Hz	254
8000 Hz	259

Acoustical performance specified per octave* (all measurements are done with a pink noise signal; the values are in dB SPL).

Parts included

Quantity	Component
1	LBD3905-D Cabinet loudspeaker 12W (bi-dir), black

Technical specifications

Electrical

Rated power	12 W (12 W / 6 W / 3 W)
Sound pressure level at 6 W / 1 W (1 kHz, 1 m)	96.0 dB / 85.8 dB (SPL)
Effective frequency range	150 Hz to 15 kHz
Opening angle horizontal at 1kHz / 4kHz (-6dB)	254° / 254°

Opening angle vertical at 1kHz / 4kHz (-6dB)	254° / 254°
Rated impedance	833 ohm
Rated input voltage	100 V
Connector	4-pole push-in terminal

Mechanical

Dimensions (H x W x D)	243 mm x 230 mm x 131 mm
Weight	1.9 kg
Color	Black

Environmental

Operating temperature	-5 °C to +55 °C
Storage temperature	-40 °C to +70 °C

Ordering information

LBD3905-D Cabinet loudspeaker 12W (bi-dir), black

Cabinet loudspeaker 12 W, bidirectional, MDF enclosure, finished in black, with keyholes for wall mounting.

Order number **LBD3905-D | F.01U.294.067**

Represented by:

Europe, Middle East, Africa:
Bosch Security Systems B.V.
P.O. Box 80002
5600 JB Eindhoven, The Netherlands
www.boschsecurity.com/xc/en/contact/
www.boschsecurity.com

Germany:
Bosch Sicherheitssysteme GmbH
Robert-Bosch-Platz 1
D-70839 Gerlingen
www.boschsecurity.com

North America:
Bosch Security Systems, LLC
130 Perinton Parkway
Fairport, New York, 14450, USA
www.boschsecurity.com

Asia-Pacific:
Robert Bosch (SEA) Pte Ltd, Security Systems
11 Bishan Street 21
Singapore 573943
www.boschsecurity.com/xc/en/contact/
www.boschsecurity.com