

LBD8352/10 Ceiling loudspeaker 6W, ABS with clamps



- ▶ Suitable for speech and music reproduction
- ▶ Flush-mounting in ceiling cavity
- ▶ Easy to install
- ▶ Simple power setting
- ▶ Unobtrusive in virtually all interiors

The LBD8352/10 is an economic flush-mounting ceiling loudspeaker for general purpose applications. It is a full range loudspeaker for speech and music reproduction in shops, department stores, schools, offices, sports halls, hotels and restaurants.

System overview

The LBD8352/10 has a single-piece, 6 W loudspeaker. A 100 V matching transformer is mounted behind the front panel assembly. The molded plastic front panel is mounted onto the loudspeaker's metal frame, and a dust cover protects the rear. The appearance and color are unobtrusive in any interior.

Installation

Installation is both quick and easy, as the units have two built-in spring-loaded locking clamps that secure them into holes in the ceiling.

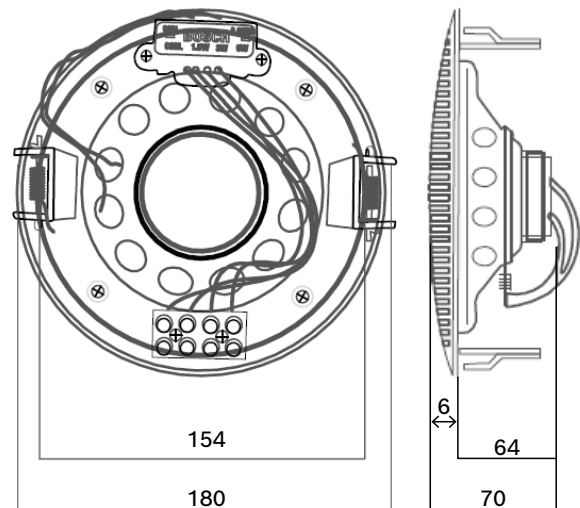


Fig. 1: Dimensions in mm

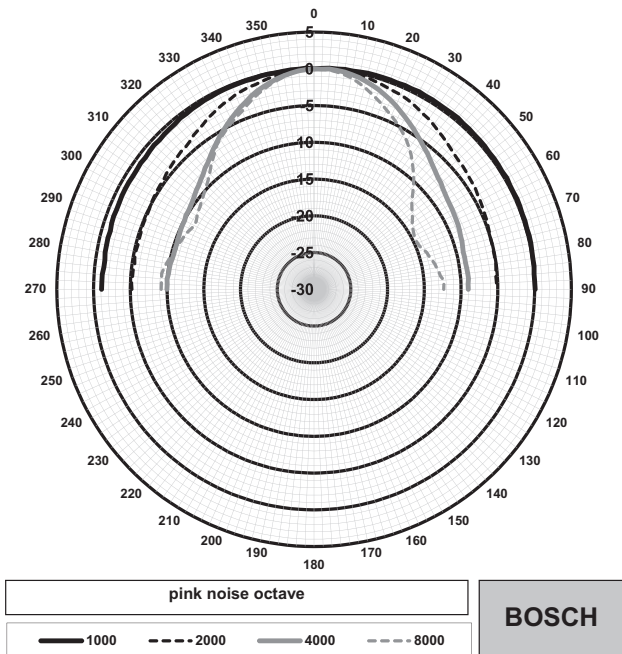


Fig. 2: Normalized polar plot

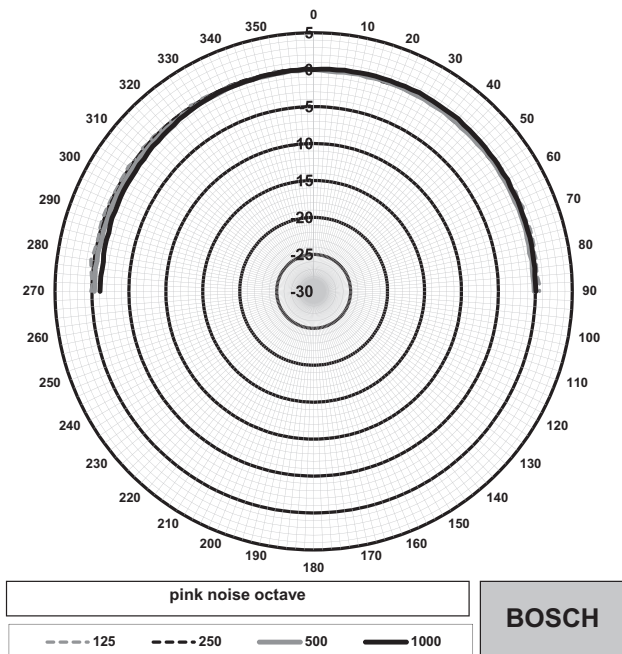


Fig. 3: Normalized polar plot

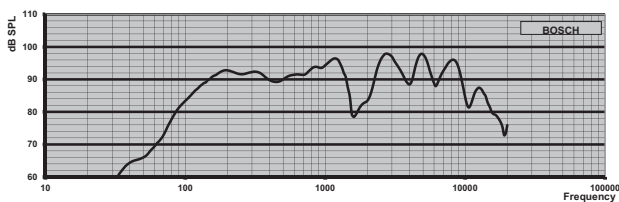


Fig. 4: Frequency diagram

Octave band sensitivity*

	Octave SPL 1W/1m	Total octave SPL 1W/1m	Total octave SPL Pmax/1m
125 Hz	88.3	-	-
250 Hz	92.1	-	-
500 Hz	90.6	-	-
1000 Hz	94.4	-	-
2000 Hz	92.1	-	-
4000 Hz	94.9	-	-
8000 Hz	92.2	-	-
A-weighted	-	90.4	97.3
Lin-weighted	-	91.0	98.1

(1/1)th octave band sensitivity

Octave band opening angles

	Horizontal	Vertical	
125 Hz	180	180	
250 Hz	180	180	
500 Hz	180	180	
1000 Hz	180	180	
2000 Hz	180	180	
4000 Hz	74	74	
8000 Hz	64	64	

Acoustical performance specified per octave.* (all measurements are done with a pink noise signal; the values are in dB SPL).

Parts included

Quantity	Component
1	LBD8352/10 Ceiling loudspeaker 6W, ABS with clamps

Technical specifications

Electrical

Rated power	6 W (6 W / 3 W / 1.5 W)
Sound pressure level at 6 W / 1 W (1 KHz at 1 m)	102 dB / 94.4 dB (SPL)

Effective frequency range (-10 dB)	100 Hz - 16 KHz
Opening angle at 1 KHz / 4 KHz (-6 dB)	180° / 74°
Rated voltage	100 V
Rated impedance	1667 ohm

Mechanical

Diameter	180 mm
Cutout diameter	154 mm
Maximum depth	70 mm
Weight	600 g

Environmental

Operating temperature	-25 °C to +55 °C
Storage temperature	-40 °C to +70 °C

Ordering information

LBD8352/10 Ceiling loudspeaker 6W, ABS with clamps

Ceiling loudspeaker 6 W, ABS grille, two spring-loaded clamps for ceiling mounting

Order number **LBD8352/10 | F.01U.281.112**

Represented by:

Europe, Middle East, Africa:
Bosch Security Systems B.V.
P.O. Box 80002
5600 JB Eindhoven, The Netherlands
www.boschsecurity.com/xc/en/contact/
www.boschsecurity.com

Germany:
Bosch Sicherheitssysteme GmbH
Robert-Bosch-Platz 1
D-70839 Gerlingen
www.boschsecurity.com

North America:
Bosch Security Systems, LLC
130 Perinton Parkway
Fairport, New York, 14450, USA
www.boschsecurity.com

Asia-Pacific:
Robert Bosch (SEA) Pte Ltd, Security Systems
11 Bishan Street 21
Singapore 573943
www.boschsecurity.com/xc/en/contact/
www.boschsecurity.com