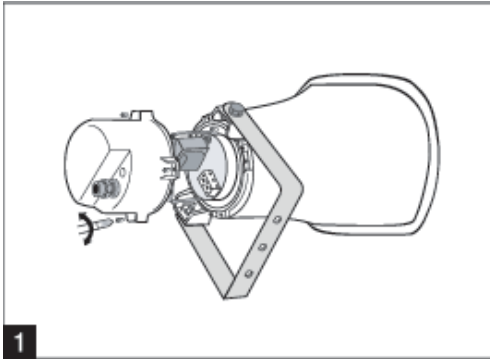
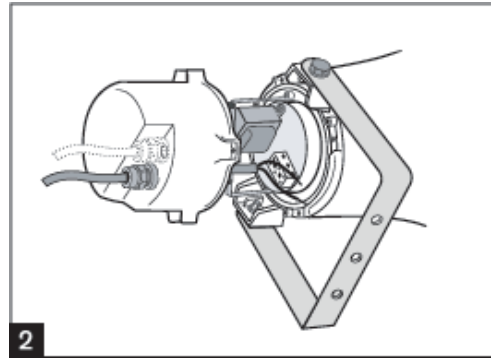


1 |

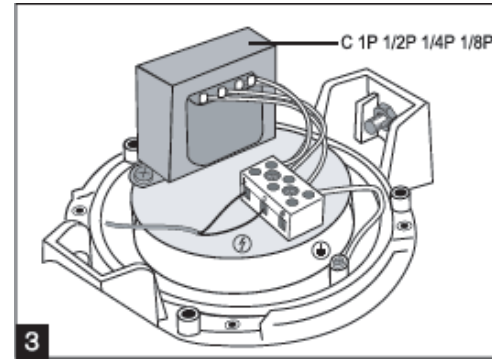
Installation



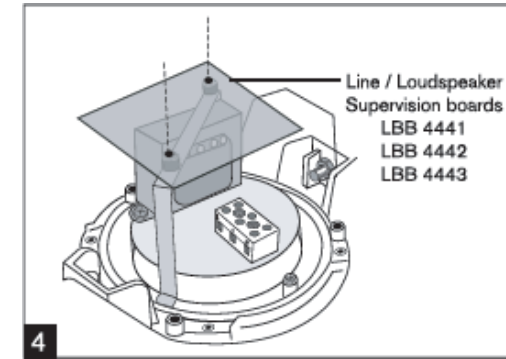
2 |



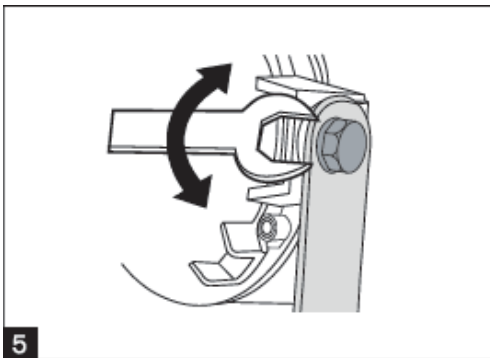
3 |



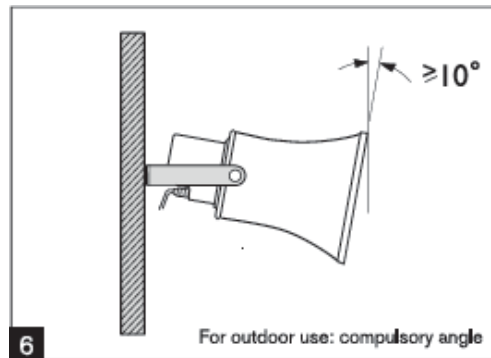
4 |



5 |



6 |



7 |

Technical data

Electrical*

Rated power (PHC)	10 W	
Power tapping	10 / 5 / 2.5 / 1.25 W	
Sound pressure level at 10 W / 1 W (1 kHz, 1 m)	112 / 102 dB (SPL)	
Sound pressure level at 10 W / 1 W (1 kHz, 4 m)	87 / 76 dB (SPL)	
Effective frequency range (-10 dB)	280 Hz to 5800 Hz	
Opening angle at 1 kHz / 4 kHz (-6 dB)		

8 |

Horizontal	120° / 35°	
Vertical	125° / 35°	
Rated input voltage	100 V	
Rated impedance	10 W	1000 Ohm
	5 W	2000 Ohm
	2.5 W	4000 Ohm
	1.25 W	8000 Ohm
Connector	Screw terminal block	

* Technical performance data acc. to IEC 60268-5

Mechanical

Dimensions (W x D)	(213 x 186) x 310 mm (8.39 x 7.32) x 12.2 in
Weight	3.6 kg (7.93 lb)
Color	Light grey (RAL 7035)
Material (horn / rear cover)	Aluminum / ABS

Cable diameter	6 mm to 12 mm (0.24 in to 0.47 in)
----------------	------------------------------------

Environmental

Operating temperature	-25 °C to +55 °C (-13 °F to +131 °F)
Storage and transport temperature	-40 °C to +70 °C (-40 °F to +158 °F)
Relative humidity	<95%

Note:

- The specification data is measured in an anechoic chamber, free field
- The reference axis is perpendicular to the center point of the front grille
- The reference plane is perpendicular to the center of the reference axis
- The horizontal plane is perpendicular to the center of the reference plane

Additional technical data

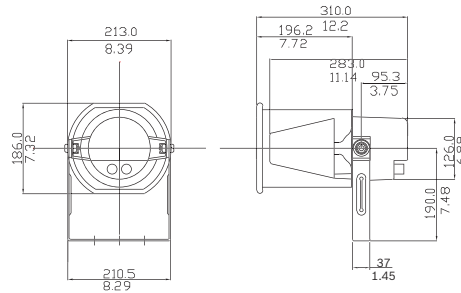


Fig. 1: Dimensions

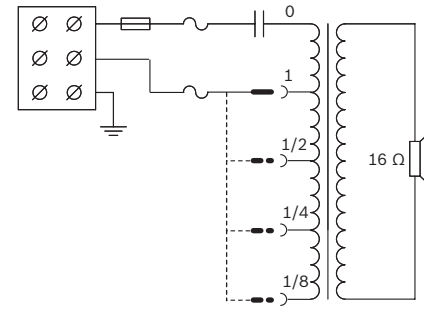


Fig. 2: Circuit Diagram



LH1-10M10E Horn loudspeaker, 10W, 7x8"



en Installation note

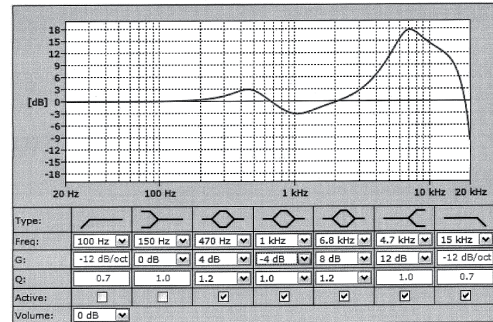


Fig. 3: Specified active equalization, required for EN54-24

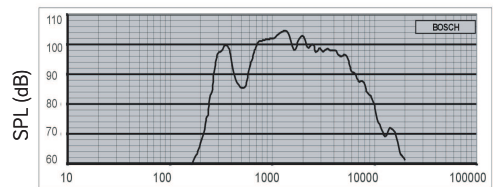


Fig. 4: Frequency Response

CE
1438

Bosch Security Systems BV
Torenallee 49, 5617 BA Eindhoven, the Netherlands
12
1438/CPD/0260

EN 54-24:2008

Loudspeaker for voice alarm systems
for fire detection and fire alarm systems for buildings

Horn Loudspeaker 10 W
LH1-10M10E
Type B
DoP: LP062923