



Bidirectional Sound Projector

LP1-BC10E-1



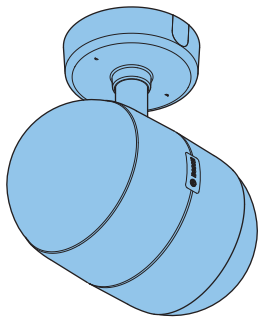
BOSCH

en Installation note

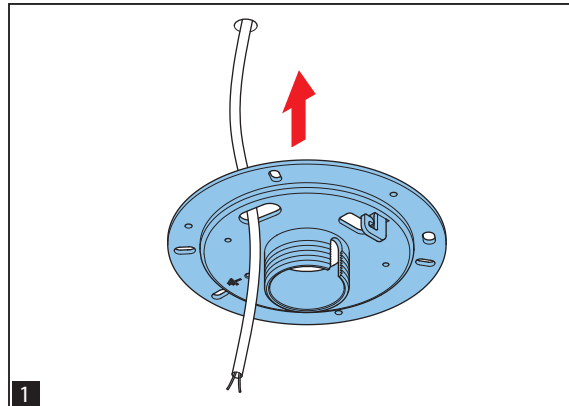
1

Installation

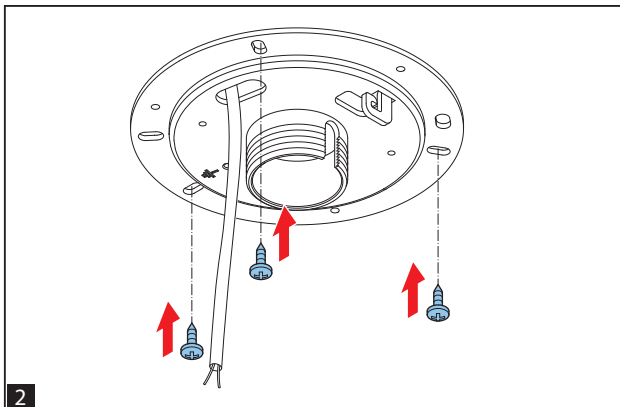
This document describes the installation procedure of the LP1-BC10E-1 Bidirectional Sound Projector.



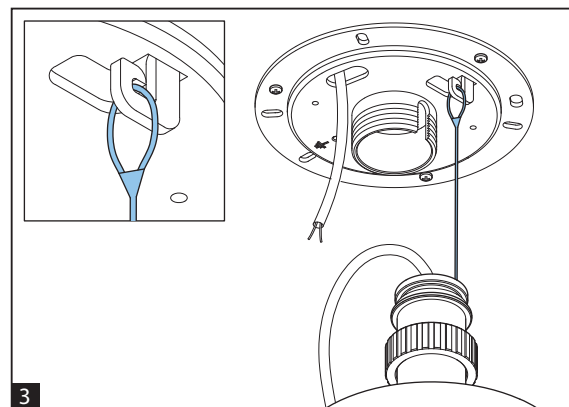
LP1-BC10E-1



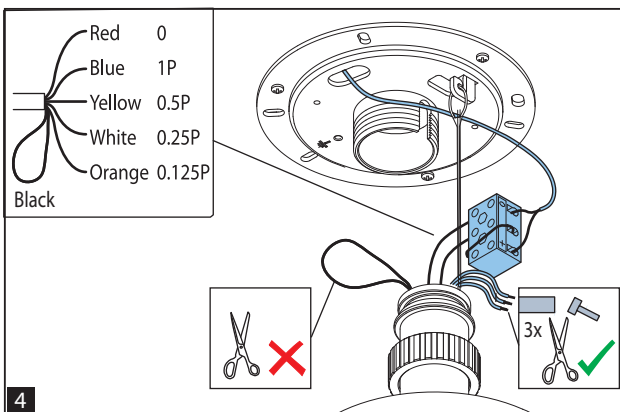
1



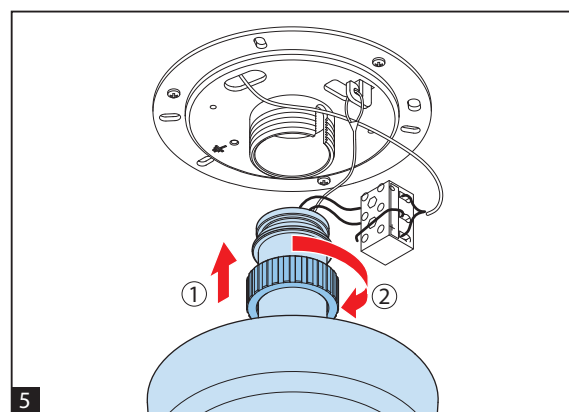
2



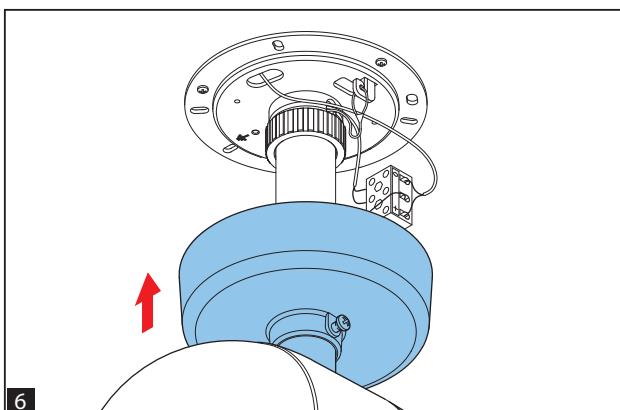
3



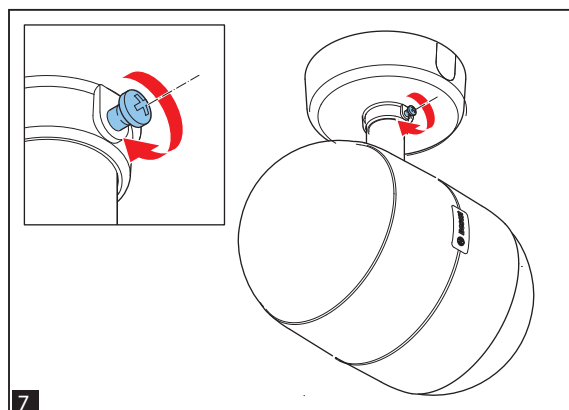
4



5



6



7

2 Technical data

Electrical*

Maximum power	15 W	
Rated power	10 / 5 / 2.5 / 1.25 W	
Sound pressure level at 10 W / 1 W (1kHz, 1 m)	90 dB / 80 dB (SPL)	
Sound pressure level at 10 W / 1 W (1 kHz, 4 m)	85 dB / 76 dB (SPL)	
Opening angle at 1 kHz / 4 kHz (-6 dB)	165° / 60°	
Effective frequency range (-10 dB)	75 Hz to 20 kHz	
Rated voltage		100 V
Rated impedance	10 W	1000 Ohm
	5 W	2000 Ohm
	2.5 W	4000 Ohm
	1.25 W	8000 Ohm
Connector	3-pole screw terminal	

* Technical performance data according to IEC 60268-5

Mechanical

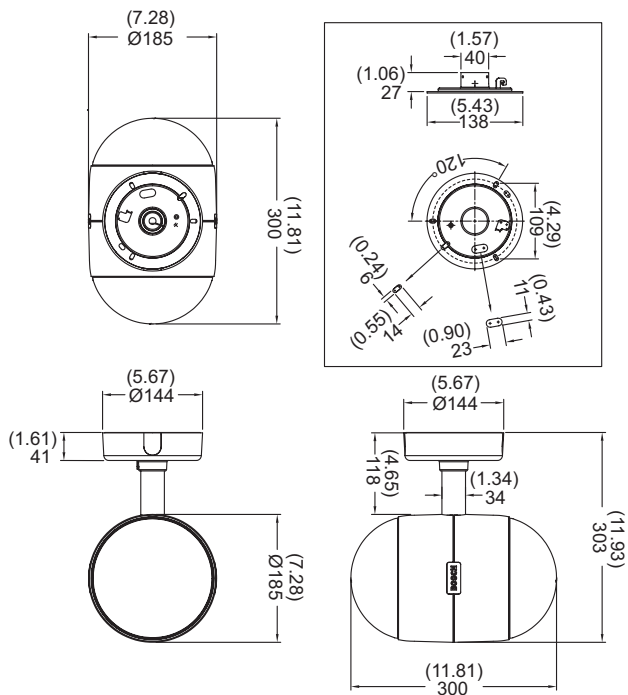
Dimensions (D x L)	185 x 297 mm (7.3 x 11.7 in)
Weight	3 kg (6.6 lb)
Color	White (RAL 9010)
Material	ABS

Environmental

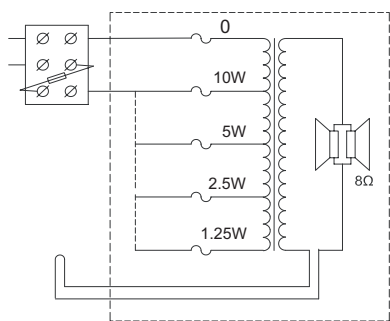
Operating temperature	-25 °C to +55 °C (-13 °F to +131 °F)
Storage and transport temperature	-40 °C to +70 °C (-40 °F to +158 °F)
Relative humidity	<95%

Note:

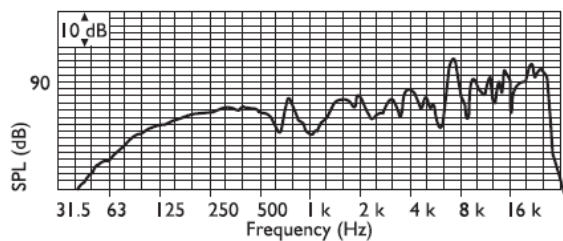
- The specification data is measured in an anechoic chamber, free field
- The reference axis is perpendicular to the center point of the front grille
- The reference plane is perpendicular to the center of the reference axis
- The horizontal plane is perpendicular to the center of the reference plane



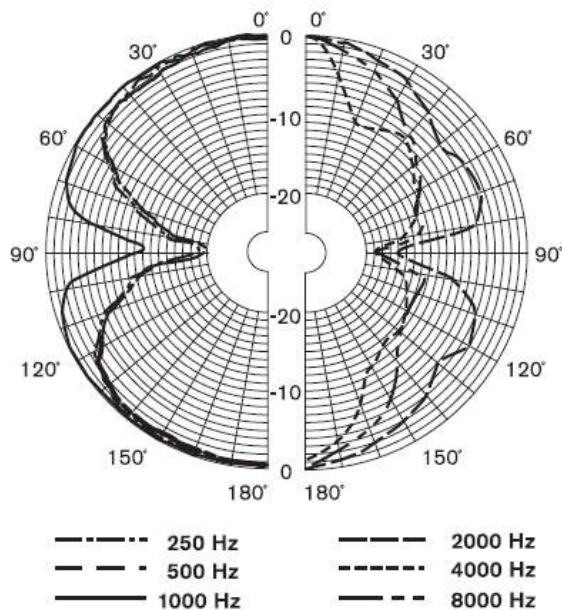
Dimensions in mm / (inch)




Circuit diagram



Frequency response



Polar diagram (measured with pink noise)

 1438
Bosch Security Systems BV Torenallee 49, 5617 BA Eindhoven, the Netherlands 12 1438-CPR-0258
EN 54-24:2008 Loudspeaker for voice alarm systems for fire detection and fire alarm systems for buildings Bidirectional Sound Projector 10 W LP1- BC10E-1 Type B DoP: LP052916

CE label

Bosch Security Systems B.V.

Torenallee 49

5617 BA Eindhoven

Netherlands

www.boschsecurity.com

© Bosch Security Systems B.V., 2016