

M118VG1250IR Varifocal lens, 12-50mm, 5MP, CS mount

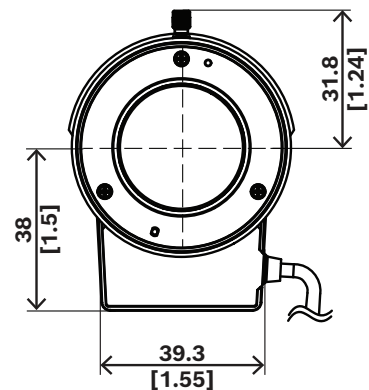
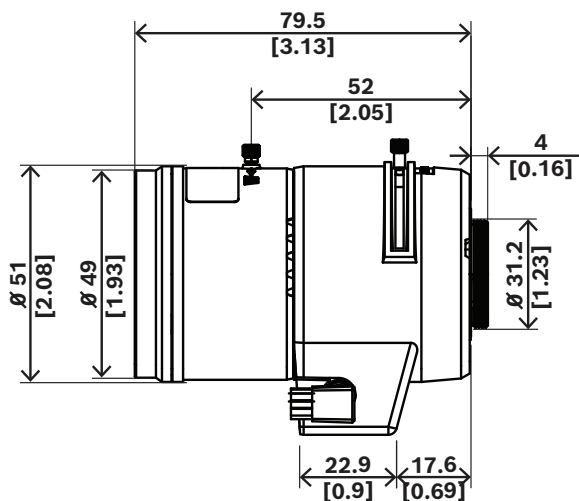


- ▶ High-quality optics
- ▶ Reliable, robust construction
- ▶ Focal length options

Regulatory information

Region	Regulatory compliance/quality marks	
Europe	CE	Declaration of similarity

Installation/configuration notes



Dimensions in mm (inch)

Parts included

Quantity	Component
1	Varifocal lens
1	Quick installation guide

Technical specifications

Electrical

Power consumption (W)	0.18 W (general power consumption; the actual power consumption varies depending on the camera)
-----------------------	---

Optical

Lens mounting	CS mount
Zoom/focus control	Manual
Iris control	Automatic; DC-iris
Lens focal length (mm)	12 mm – 50 mm
Lens aperture (/F)	1.4 /F – 360 /F

Field of view 1/1.8" sensor

Vertical field of view (°) (4:3)	34.0° - 25.5°
Horizontal field of view (°) (4:3)	8.5° - 6.4°
Sensor size (mm) (4:3)	7.28 mm x 5.46 mm
Vertical field of view (°) (16:9)	36.2° - 20.3°
Horizontal field of view (°) (16:9)	9.0° - 5.1°
Sensor size (mm) (16:9)	7.75 mm x 4.36 mm

Field of view 1/2" sensor

Vertical field of view (°) (4:3)	29.9° - 22.4°
Horizontal field of view (°) (4:3)	7.5° - 5.6°
Sensor size (mm) (4:3)	6.4 mm x 4.8 mm
Vertical field of view (°) (16:9)	32.5° - 18.3°
Horizontal field of view (°) (16:9)	8.1° - 4.6°
Sensor size (mm) (16:9)	6.97 mm x 3.92 mm

Field of view 1/3" sensor

Vertical field of view (°) (4:3)	22.4° - 16.8°
Horizontal field of view (°) (4:3)	5.6° - 4.2°
Sensor size (mm) (4:3)	4.8 mm x 3.6 mm
Vertical field of view (°) (16:9)	24.4° - 13.7°
Horizontal field of view (°) (16:9)	6.1° - 3.5°
Sensor size (mm) (16:9)	5.23 mm x 2.94 mm

Represented by:

Europe, Middle East, Africa:
Bosch Security Systems B.V.
P.O. Box 80002
5600 JB Eindhoven, The Netherlands
Phone: + 31 40 2577 284
www.boschsecurity.com/xc/en/contact
www.boschsecurity.com

Germany:
Bosch Sicherheitssysteme GmbH
Robert-Bosch-Ring 5
85630 Grasbrunn
Tel.: +49 (0)89 6290 0
Fax: +49 (0)89 6290 1020
de.securitysystems@bosch.com
www.boschsecurity.com

North America:
Bosch Security Systems, LLC
130 Perinton Parkway
Fairport, New York, 14450, USA
Phone: +1 800 289 0096
Fax: +1 585 223 9180
onlinehelp@us.bosch.com
www.boschsecurity.com

Asia-Pacific:
Robert Bosch (SEA) Pte Ltd, Security Systems
11 Bishan Street 21
Singapore 573943
Phone: +65 6571 2808
Fax: +65 6571 2699
www.boschsecurity.com/xc/en/contact/
www.boschsecurity.com

Mechanical

Dimensions (Ø x D) (mm)	51 mm x 79.5 mm (± 0.3 mm)
Dimensions (Ø x D) (in)	2.01 in x 3.13 in (± 0.01 in)
Weight (g)	130 g (± 5 g)
Weight (lb)	0.29 lb (± 0.01 lb)

Environmental

Operating temperature (°C) functional	-20 °C – 60 °C
Operating temperature (°F) functional	-4 °F – 140 °F
Storage temperature (°C)	-10 °C – 50 °C at 60% relative humidity
Storage temperature (°F)	14 °F – 122 °F at 60% relative humidity
Operating relative humidity, non-condensing (%)	90% at 30° C (86° F)
Storage relative humidity (%)	90% at 30° C (86° F)

Ordering information**M118VG1250IR Varifocal lens, 12-50mm, 5MP, CS mount**

Varifocal lens with a lens focal aperture of 12 - 50 mm, 5 MP, CS mount

Order number **M118VG1250IR**