



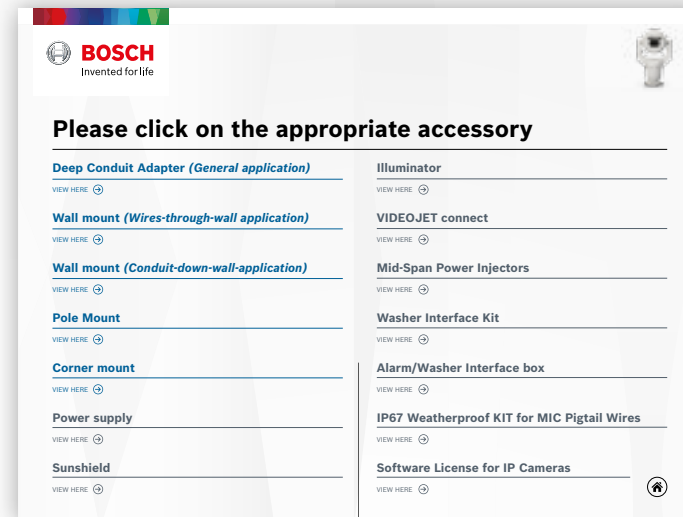
BOSCH
Invented for life

Accessories for the MIC IP 7000

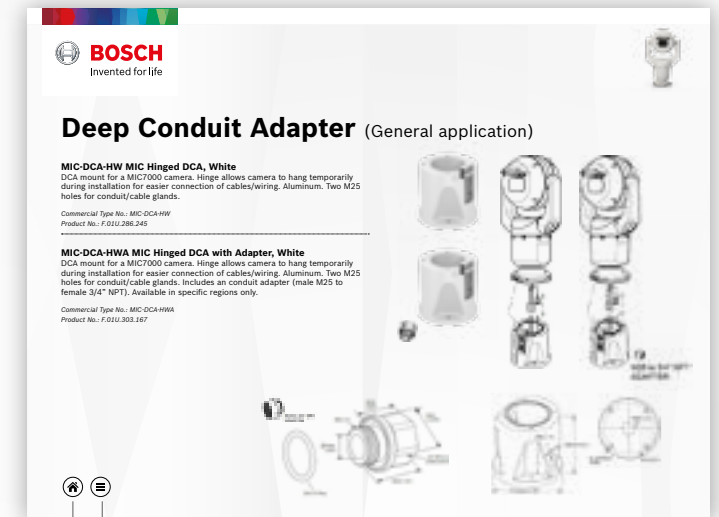
Instructions



Click to select your color



Click to select your accessory



Jump back to index

Jump back to start

START →



BOSCH

Invented for life

Accessories for the MIC

First choose the color of your **MIC**,
click on the appropriate **MIC** to continue



MIC-7502-Z30W
MIC-7230-W5
MIC-7230-PW4
MIC-7130-PW4

WHITE →



MIC-7502-Z30G
MIC-7230-G5
MIC-7230-PG4
MIC-7130-PG4

GREY →



MIC-7502-Z30B
MIC-7230-B5
MIC-7230-PB4
MIC-7130-PB4

BLACK →



Please click on the appropriate accessory

Deep Conduit Adapter (General application)

[VIEW HERE](#) →

Wall mount (Wires-through-wall application)

[VIEW HERE](#) →

Wall mount (Conduit-down-wall-application)

[VIEW HERE](#) →

Pole Mount

[VIEW HERE](#) →

Corner mount

[VIEW HERE](#) →

Power supply

[VIEW HERE](#) →

Sunshield

[VIEW HERE](#) →

Illuminator

[VIEW HERE](#) →

VIDEOJET connect

[VIEW HERE](#) →

Mid-Span Power Injectors

[VIEW HERE](#) →

Washer Interface Kit

[VIEW HERE](#) →

Alarm/Washer Interface box

[VIEW HERE](#) →

IP67 Weatherproof KIT for MIC Pigtail Wires

[VIEW HERE](#) →

Software License for IP Cameras

[VIEW HERE](#) →





BOSCH

Invented for life



Deep Conduit Adapter (General application)

MIC-DCA-HW MIC Hinged DCA, White

DCA mount for a MIC7000 camera. Hinge allows camera to hang temporarily during installation for easier connection of cables/wiring. Aluminum. Two M25 holes for conduit/cable glands.

Commercial Type No.: MIC-DCA-HW

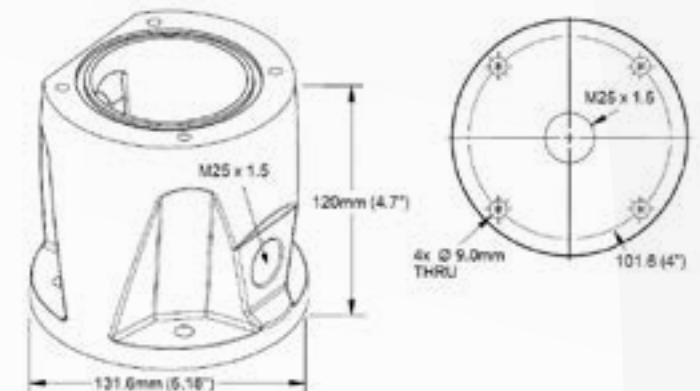
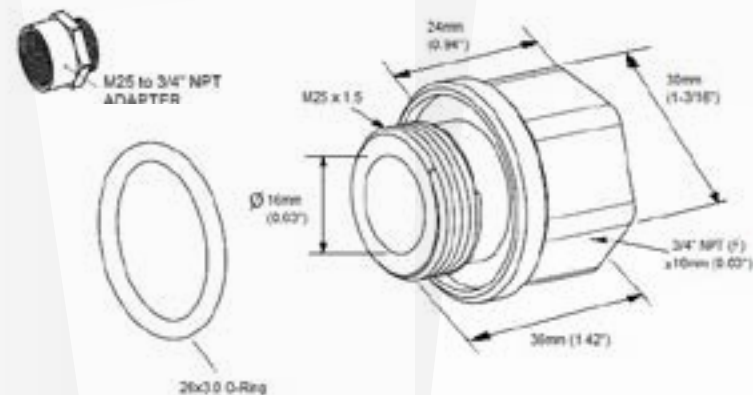
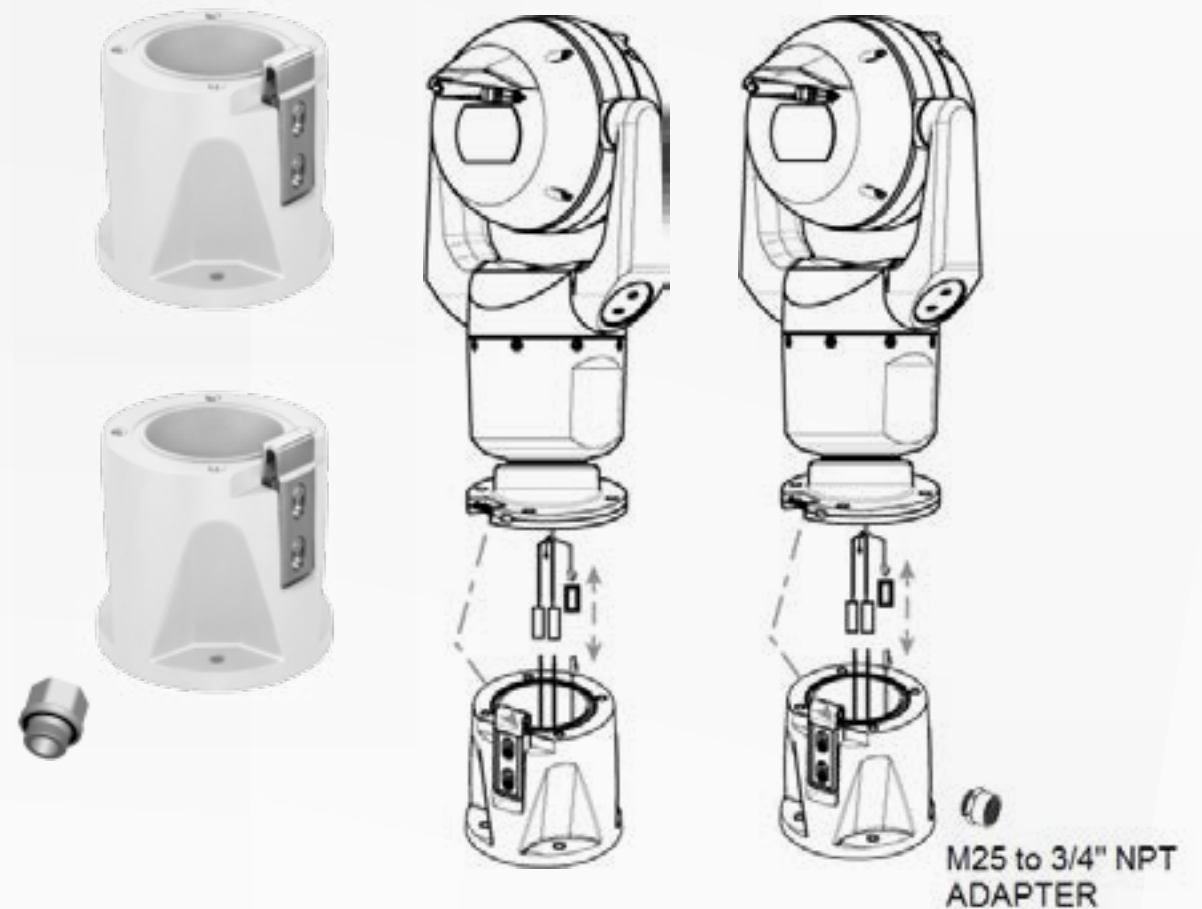
Product No.: F.01U.286.245

MIC-DCA-HWA MIC Hinged DCA with Adapter, White

DCA mount for a MIC7000 camera. Hinge allows camera to hang temporarily during installation for easier connection of cables/wiring. Aluminum. Two M25 holes for conduit/cable glands. Includes an conduit adapter (male M25 to female 3/4" NPT). Available in specific regions only.

Commercial Type No.: MIC-DCA-HWA

Product No.: F.01U.303.167





BOSCH

Invented for life

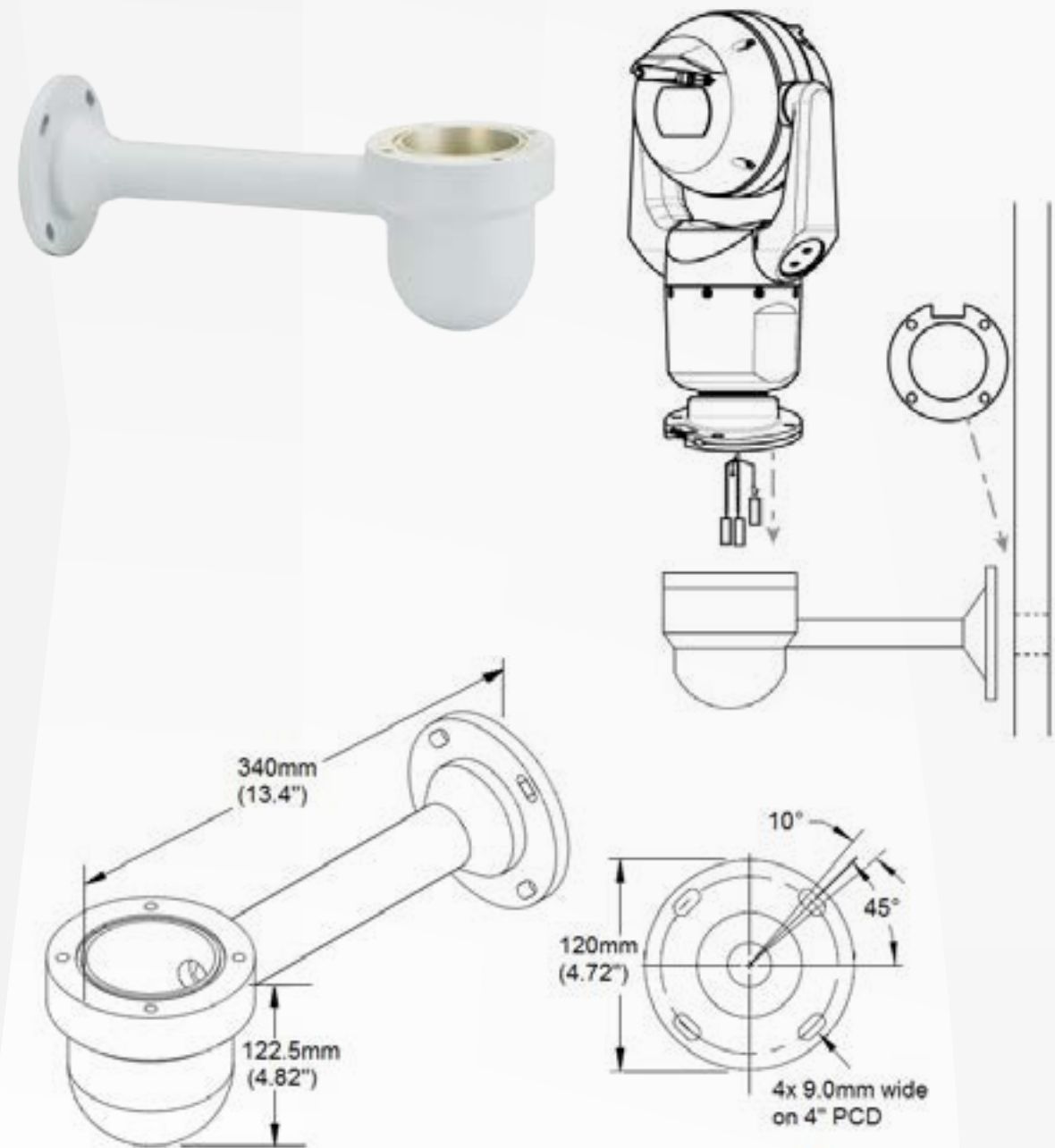
Wall mount (Wires-through-wall application)

MIC-WMB-WD Wall Mount Bracket, White

Wall mount bracket, white sand finish (RAL9010)

Commercial Type No.: MIC-WMB-WD

Product No.: F.01U.143.156





BOSCH

Invented for life

Wall mount (Conduit-down-wall application)

MIC-WMB-WD Wall Mount Bracket, White

Wall mount bracket, white sand finish (RAL9010)

Commercial Type No.: MIC-WMB-WD

Product No.: F.01U.143.156

MIC-SCA-WD Shallow Conduit Adapter, White

Shallow conduit adapter for a MIC-WMB, a MIC-PMB, or a MIC-SPR mount, white sand finish (RAL9010)

Commercial Type No.: MIC-SCA-WD

Product No.: F.01U.143.154

Optional thread adapter (for MIC-SCA)

Commercial Type No.: MIC-M25XNPT34

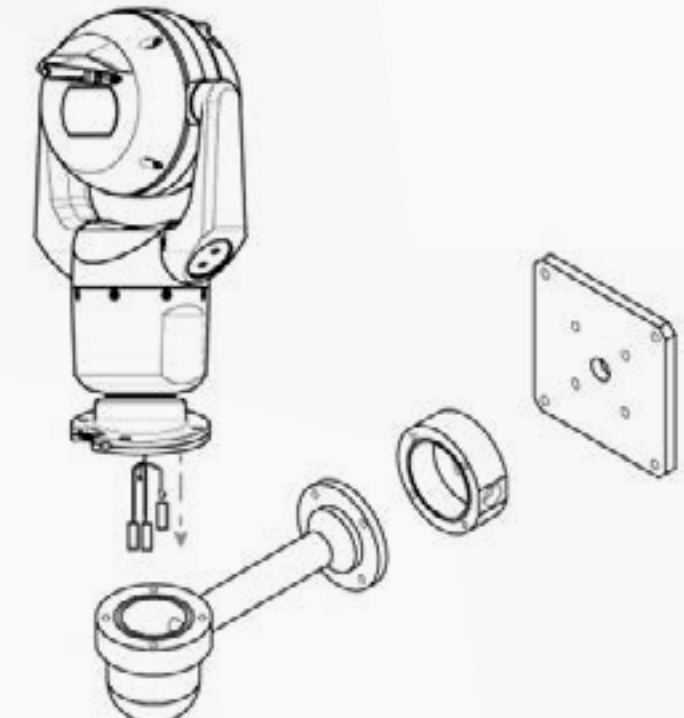
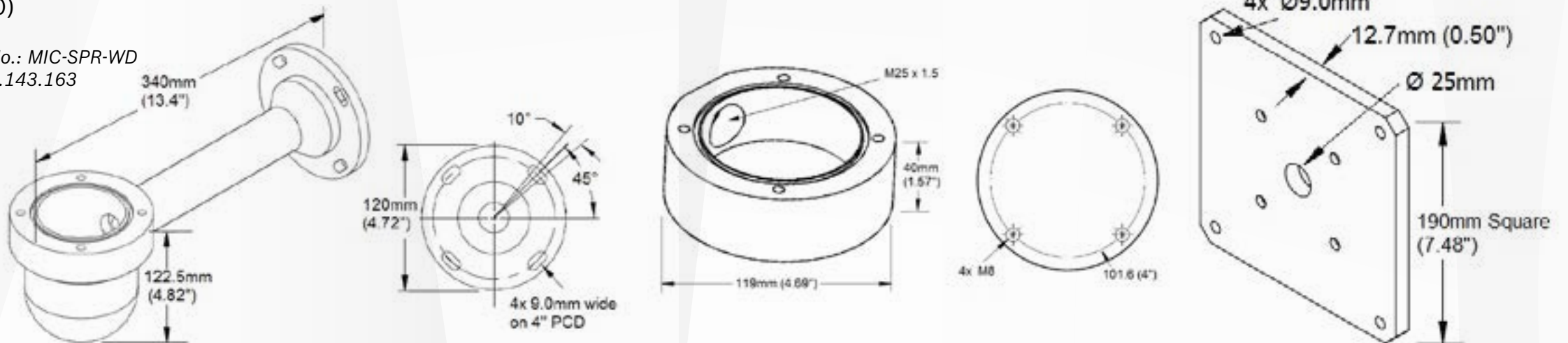
Product No.: F.01U.301.975

MIC-SPR-WD Spreader Plate, White

Aluminum spreader plate suitable for brickwork surface mounting, white sand finish (RAL9010)

Commercial Type No.: MIC-SPR-WD

Product No.: F.01U.143.163



Optional thread adapter (for MIC-SCA):





BOSCH
Invented for life

Pole mount

MIC-PMB Pole Mount Bracket

Pole mount bracket (includes 2 x 455 mm stainless steel banding straps for pole diameters 75 to 145 mm)

Commercial Type No.: MIC-PMB
Product No.: F.01U.087.283

MIC-WMB-WD Wall Mount Bracket, White

Wall mount bracket, white sand finish (RAL9010)

Commercial Type No.: MIC-WMB-WD
Product No.: F.01U.143.156

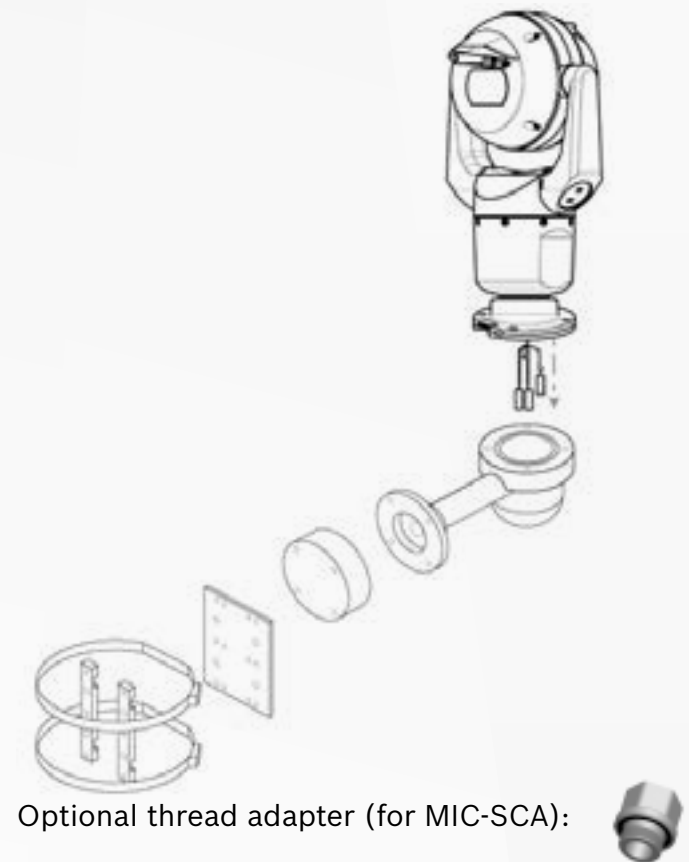
Optional thread adapter (for MIC-SCA)

Commercial Type No.: MIC-M25XNPT34
Product No.: F.01U.301.975

MIC-SCA-WD Shallow Conduit Adapter, White

Shallow conduit adapter for a MIC-WMB, a MIC-PMB, or a MIC-SPR mount, white sand finish (RAL9010)

Commercial Type No.: MIC-SCA-WD
Product No.: F.01U.143.154





BOSCH
Invented for life



Corner mount

MIC-CMB-WD Corner Mount Bracket, White

Corner mount bracket, white sand finish (RAL9010)

Commercial Type No.: MIC-CMB-WD

Product No.: F.01U.143.159

MIC-SCA-WD Shallow Conduit Adapter, White

Shallow conduit adapter for a MIC-WMB, a MIC-PMB, or a MIC-SPR mount, white sand finish (RAL9010)

Commercial Type No.: MIC-SCA-WD

Product No.: F.01U.143.154

Optional thread adapter (for MIC-SCA)

Commercial Type No.: MIC-M25XNPT34

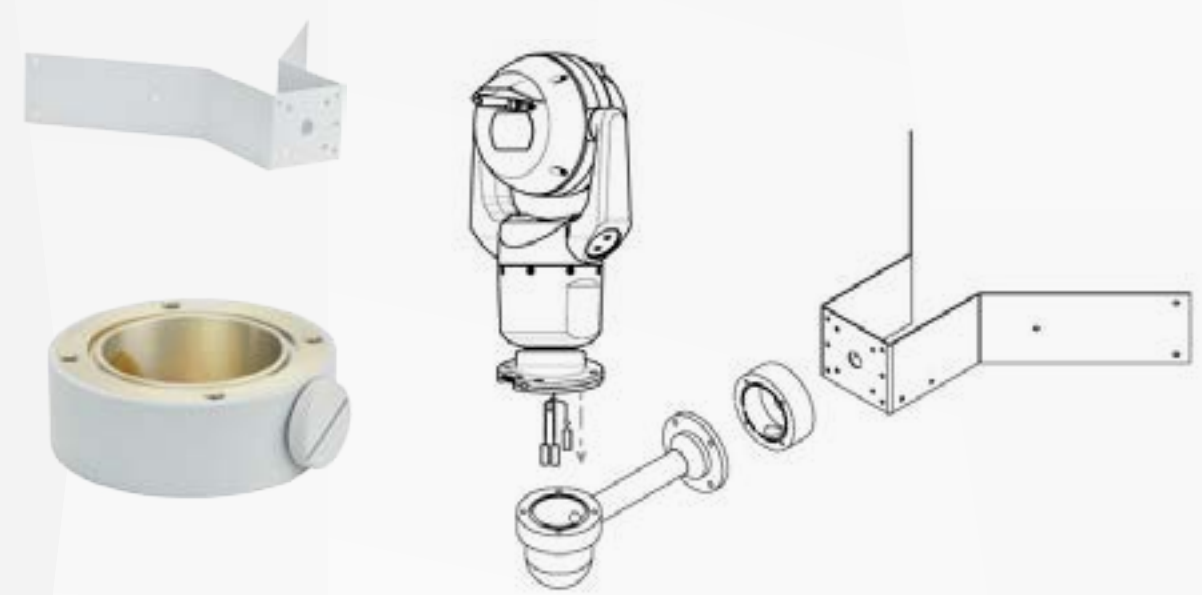
Product No.: F.01U.301.975

MIC-WMB-WD Wall Mount Bracket, White

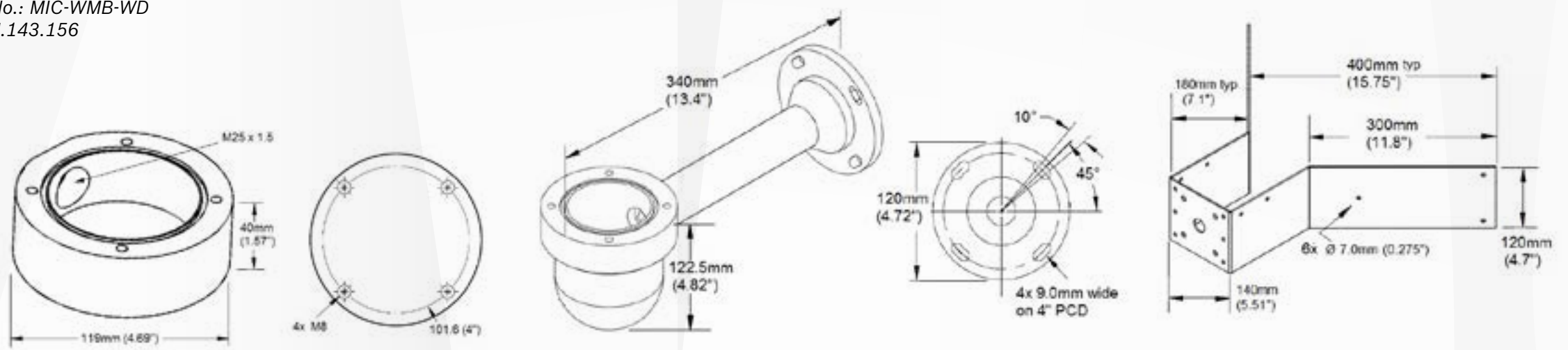
Wall mount bracket, white sand finish (RAL9010)

Commercial Type No.: MIC-WMB-WD

Product No.: F.01U.143.156



Optional thread adapter (for MIC-SCA):





BOSCH
Invented for life

Power supply

VG4-A-PSU1 120 VAC Power Supply Unit

Power supply with transformer, 120 VAC input. White, aluminum enclosure with cover, rated IP66 and IK 08. 100 W output. Optional trim skirt (sold separately).

Commercial Type No.: VG4-A-PSU1

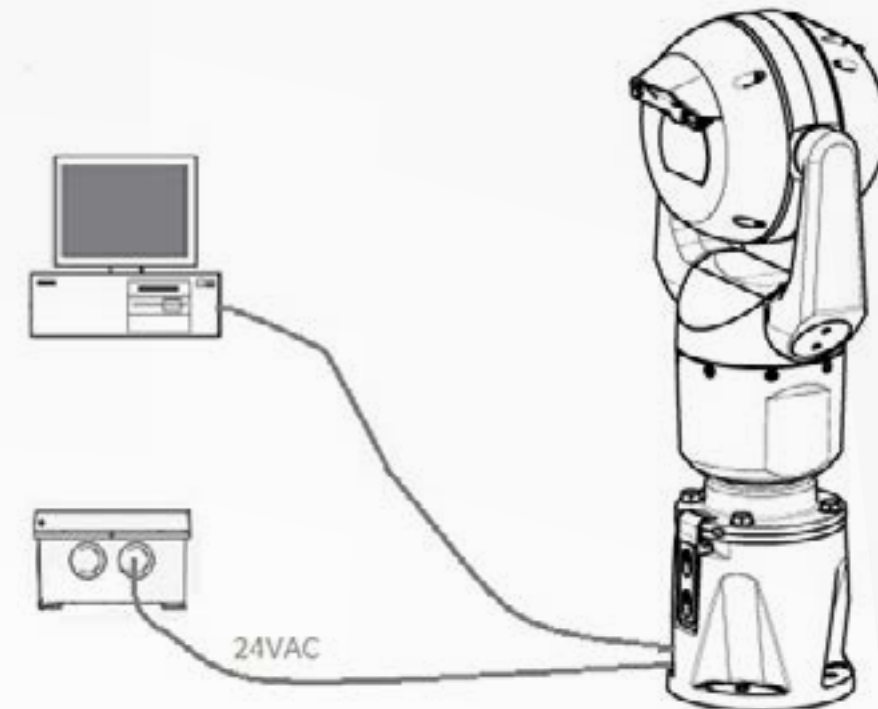
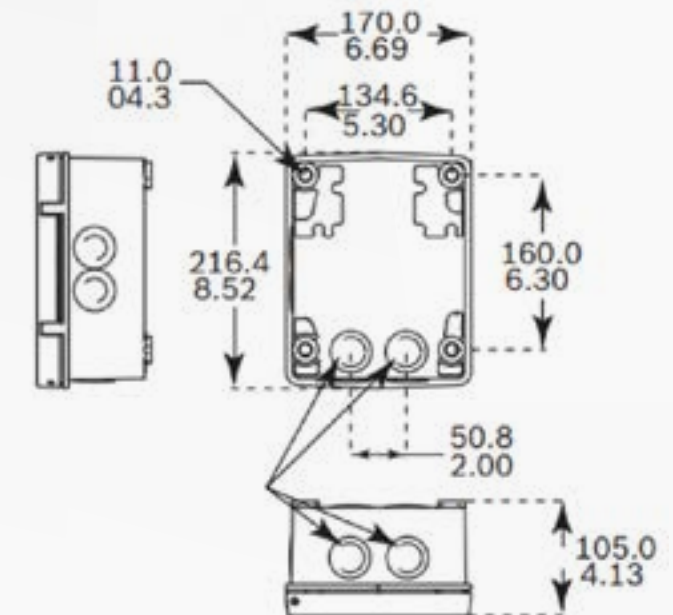
Product No.: F.01U.009.667

VG4-A-PSU2 230 VAC Power Supply Unit

Power supply with transformer, 230 VAC input. White, aluminum enclosure with cover, rated IP66 and IK 08. 100 W output. Optional trim skirt (sold separately).

Commercial Type No.: VG4-A-PSU2

Product No.: F.01U.097.433





BOSCH
Invented for life

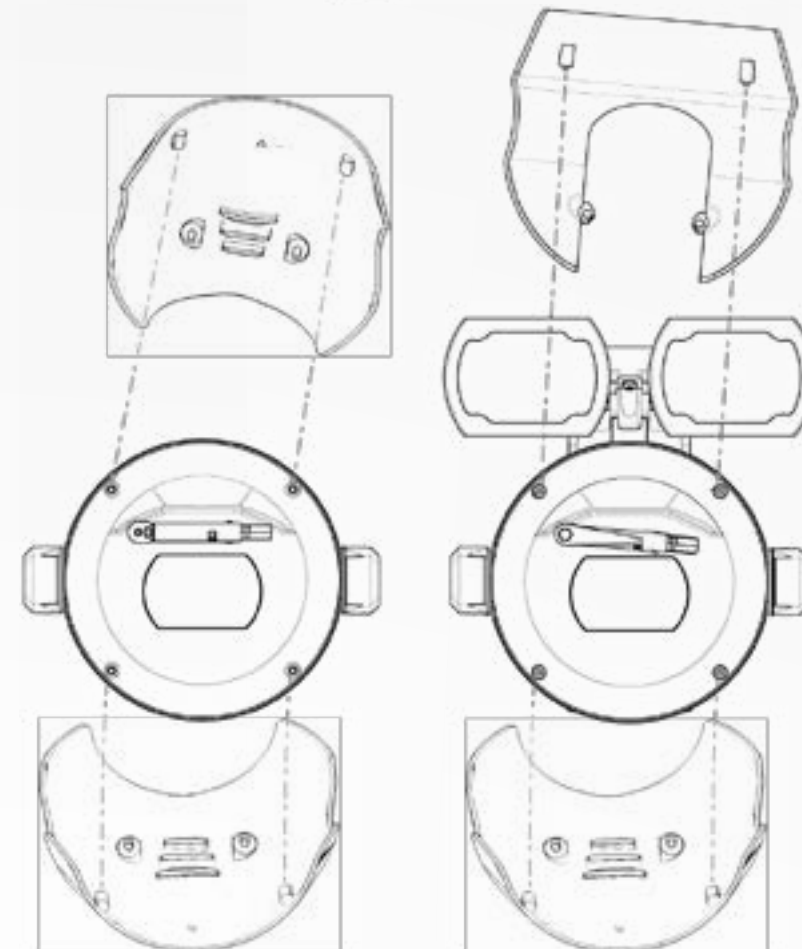
Sunshield

MIC-67SUNSHLD Sunshield for MIC IP cameras

Three-part molded sunshield for MIC7000 cameras – 1 bottom shell, 2 top shells (1 for around the optional illuminator accessory). White.

Commercial Type No.: MIC-67SUNSHLD

Product No.: F.01U.286.251





BOSCH

Invented for life

Illuminator

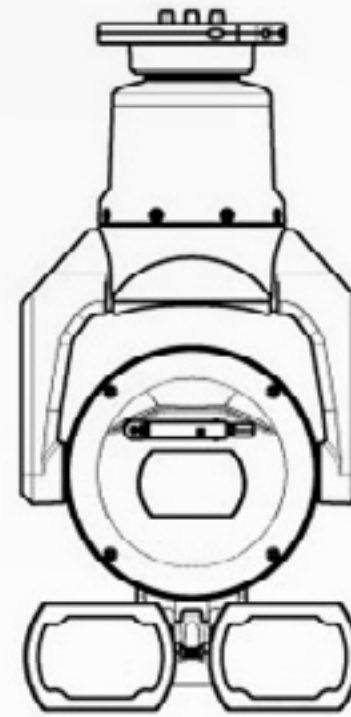
MIC-ILW-300 Illuminator, IR/White light combo, White

Variable beam illumination with multi spectrum LEDs ensures that IR light is uniformly distributed in the field to avoid dark spots or an over illuminated scene (up to 450m). It allows operators to capture full scene details in color and it can also be used as a deterrent effect.

Combination of multiple banks of IR LED's (850 and 940 nm) and White light LED's (6700K).

White (RAL 9010). Sand finish.

Commercial Type No.: MIC-ILW-300
Product No.: F.01U.328.511





BOSCH
Invented for life



VIDEOJET connect

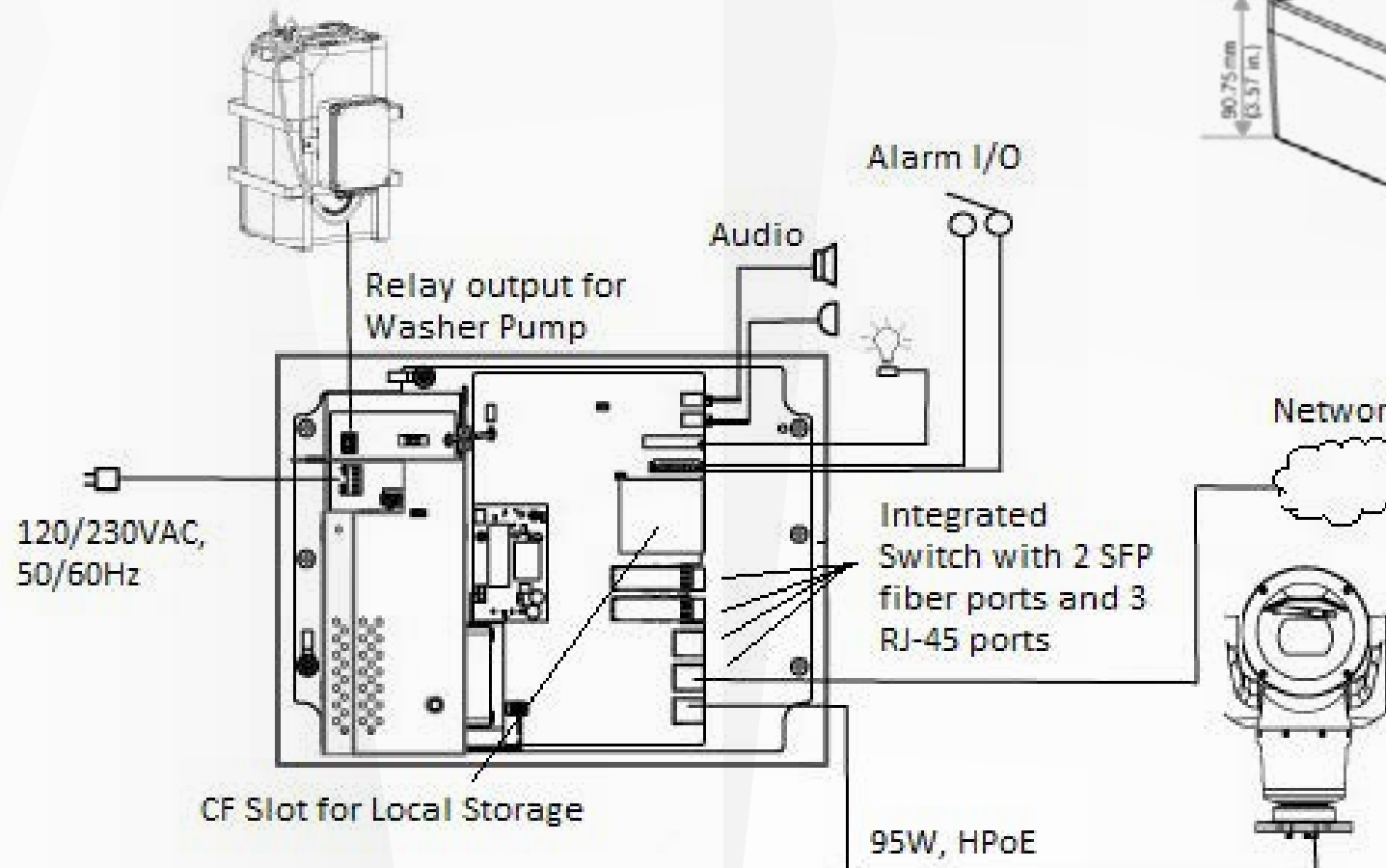
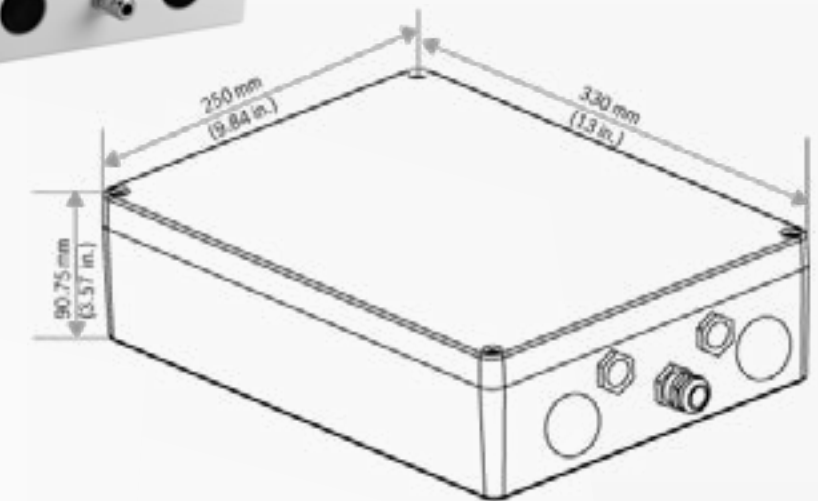
VJC-7000-90 95 W, PoE power supply unit

95 W, PoE IP power supply unit, 100 VAC - 240 VAC (90 VAC - 264 VAC with tolerance considered), 50/60 Hz.

The device includes one (1) HPoE network connection, two (2) standard network interfaces for connections to additional IP devices, one (1) slot for an optional CompactFlash (CF) memory card, two (2) slots for use with SFP-based fiber optic modules, and alarm/washer control interfaces.

Commercial Type No.: VJC-7000-90

Product No.: F.01U.286.249





BOSCH
Invented for life

Mid-Span Power Injectors

NPD-9501A High PoE midspan 95 W, single port, AC in

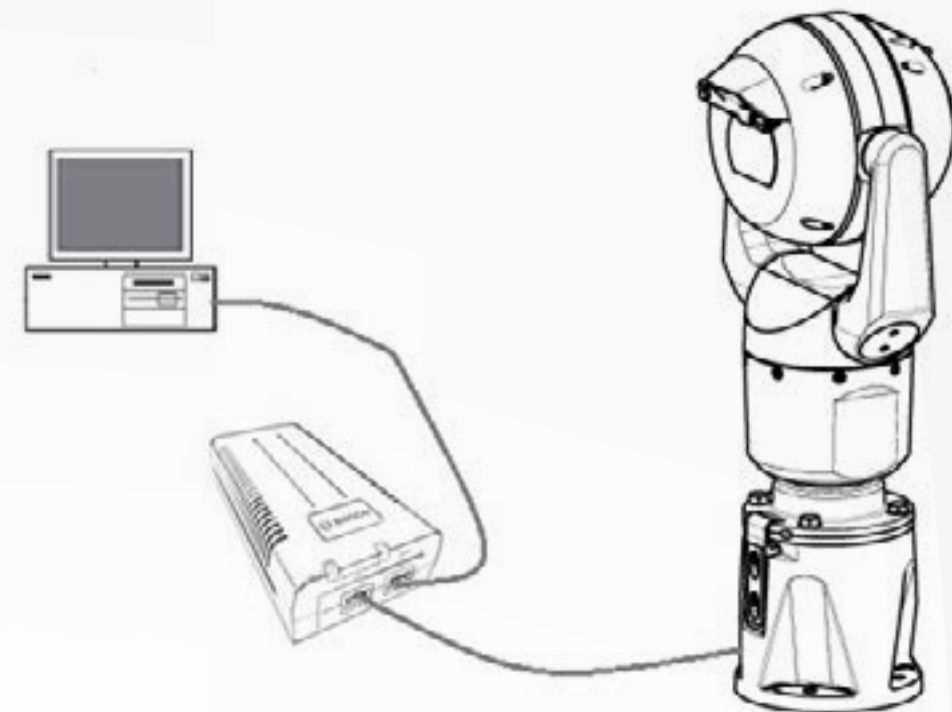
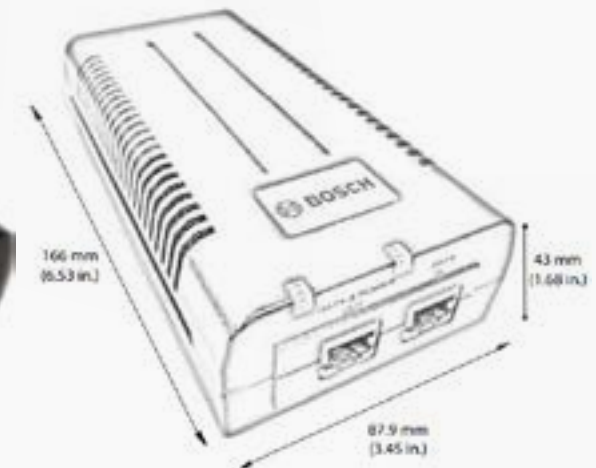
High PoE, 95 W, Single Port Midspan with mains input. Use with MICs that will have a MIC illuminator attached. Can also be used with MICs without illuminator attached.” Combine with separate 24VAC power supply connection to MIC for a redundant power configuration.

Commercial Type No.: NPD-9501A
Product No.: F.01U.286.250

NPD-6001A High PoE midspan 60 W, single port, AC in

High PoE, 60 W, Single Port Midspan with mains input. Use with MICs that will not have MIC illuminator attached.” Combine with separate 24VAC power supply connection to MIC for a redundant power configuration.

Commercial Type No.: NPD-6001A
Product No.: F.01U.275.994





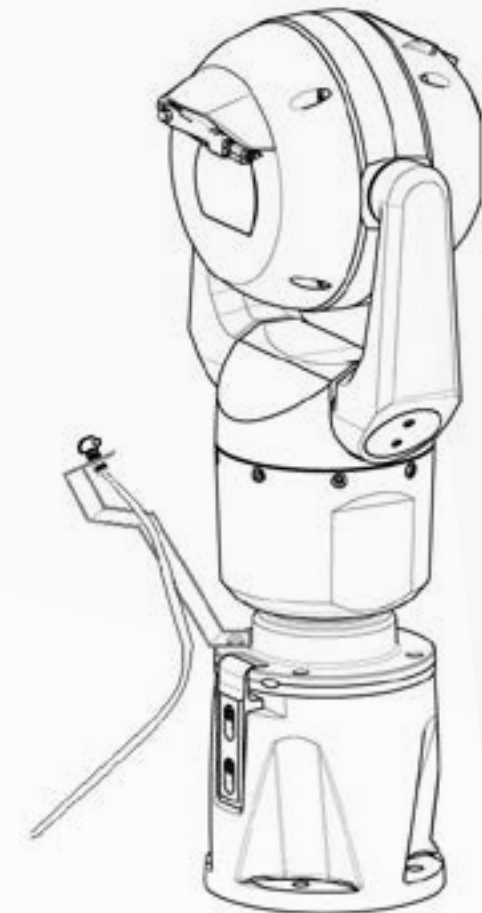
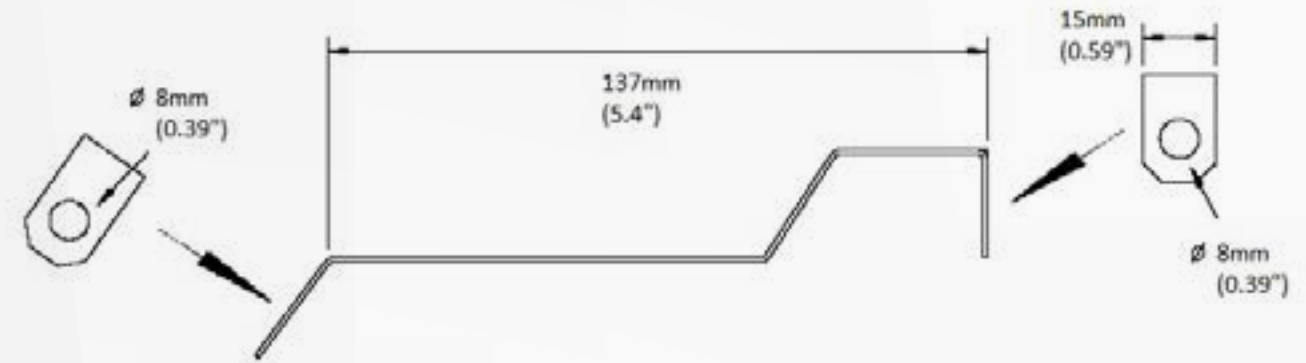
BOSCH
Invented for life

Washer interface kit

MIC-WKT-IR Washer Kit

Washer kit for MIC7000 camera models. Includes washer nozzle and mounting brackets for wall or 101.6 mm (4 in.) PCD base. Requires a third-party washer pump.

Commercial Type No.: MIC-WKT-IR
Product No.: F.01U.087.255





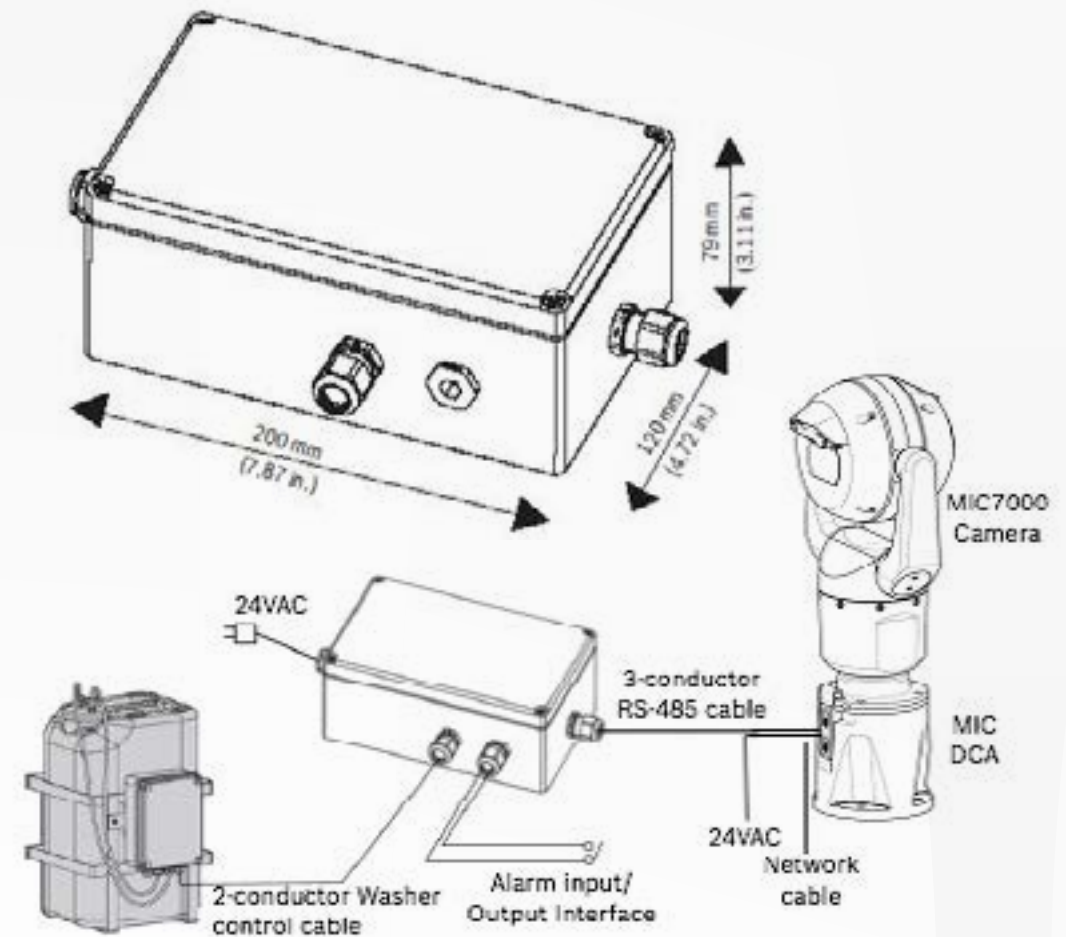
BOSCH
Invented for life

Alarm/washer Interface Box

MIC-ALM-WAS-24 Alarm/Washer Interface Unit for MIC cameras

Interface box for alarms and washer pump connections for MIC7000 cameras, 24 VAC. Impact-resistant polycarbonate enclosure, rated to IP67 and NEMA 4X, with four (4) watertight glands. Grey (RAL 7035).

Commercial Type No.: MIC-ALM-WAS-24
Product No.: F.01U.286.248





BOSCH
Invented for life

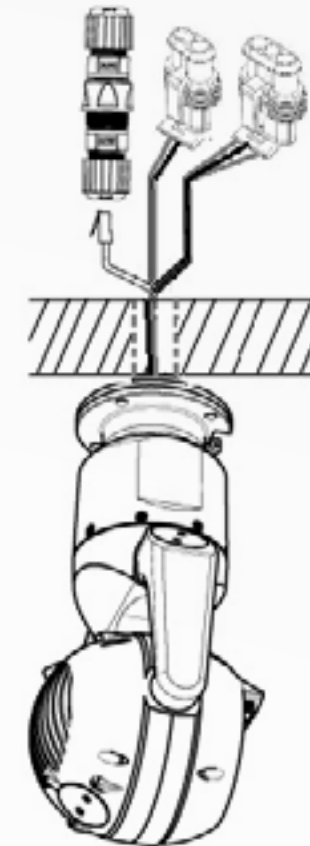


IP67 weatherproof KIT for MIC pigtail wires

MIC-IP67-5PK MIC7000 IP67 Connector Kit, 5Pack

This kit protects the connections of as many as 5 MIC7000 cameras against dust or moisture, to an ingress rating of IP67. Required for MIC7000 cameras mounted directly to a surface (instead of to a MIC-DCA or to a MIC wall mount).

Commercial Type No.: MIC-IP67-5PK
Product No.: F.01U.294.750





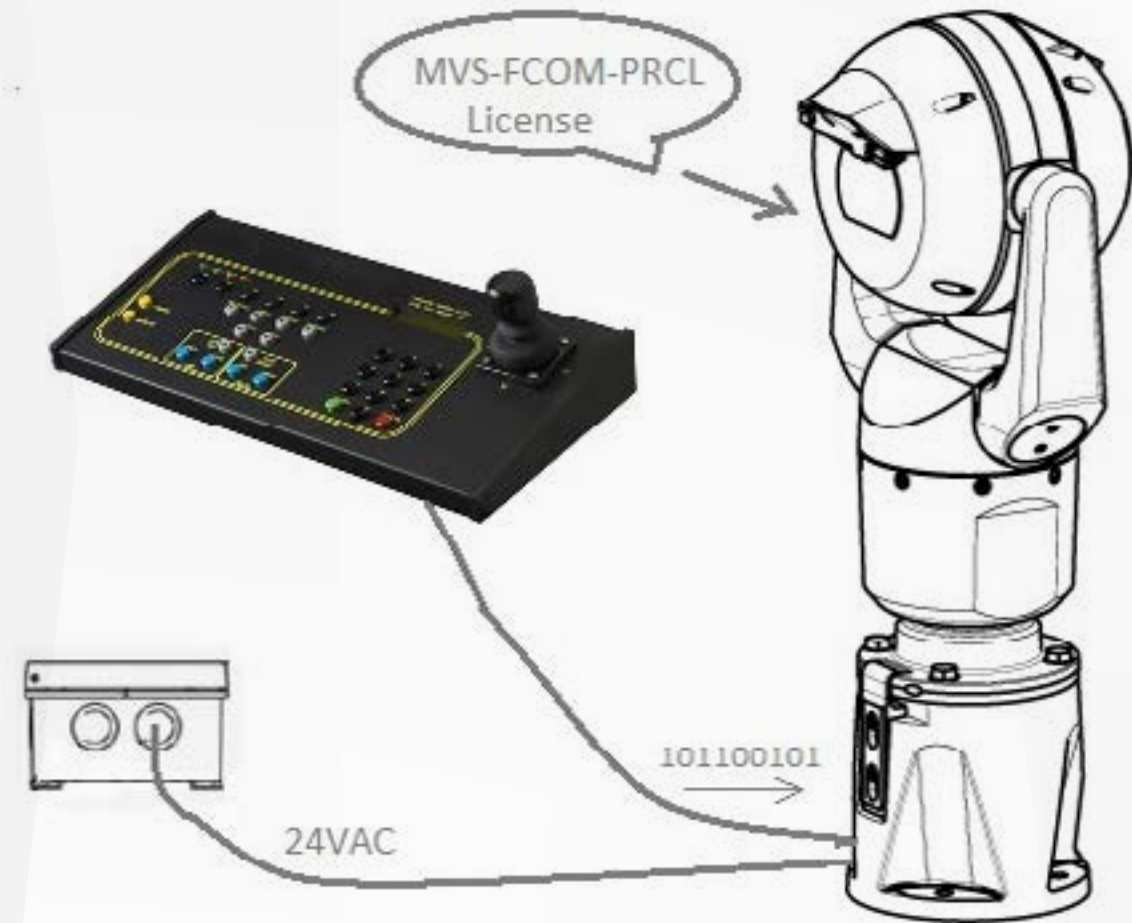
BOSCH
Invented for life



Software License for IP Cameras

MVS-FCOM-PRCL Software License for IP Cameras
Serial Protocol Software License (e-license) for IP Cameras

Commercial Type No.: MVS-FCOM-PRC
Product No.: F.01U.314.101





BOSCH
Invented for life



Please click on the appropriate accessory

Deep Conduit Adapter (*General application*)

[VIEW HERE](#) →

Wall mount (*Wires-through-wall application*)

[VIEW HERE](#) →

Wall mount (*Conduit-down-wall-application*)

[VIEW HERE](#) →

Pole Mount

[VIEW HERE](#) →

Corner mount

[VIEW HERE](#) →

Power supply

[VIEW HERE](#) →

Illuminator

[VIEW HERE](#) →

VIDEOJET connect

[VIEW HERE](#) →

Mid-Span Power Injectors

[VIEW HERE](#) →

Washer Interface Kit

[VIEW HERE](#) →

Alarm/Washer Interface box

[VIEW HERE](#) →

IP67 Weatherproof KIT for MIC Pigtail Wires

[VIEW HERE](#) →

Software License for IP Cameras

[VIEW HERE](#) →





BOSCH

Invented for life



Deep Conduit Adapter (General application)

MIC-DCA-HB MIC Hinged DCA, Black

DCA mount for a MIC7000 camera. Hinge allows camera to hang temporarily during installation for easier connection of cables/wiring. Aluminum. Two M25 holes for conduit/cable glands.

Commercial Type No.: MIC-DCA-HB

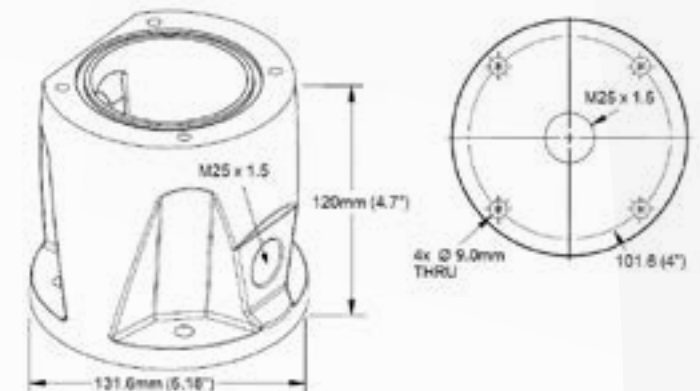
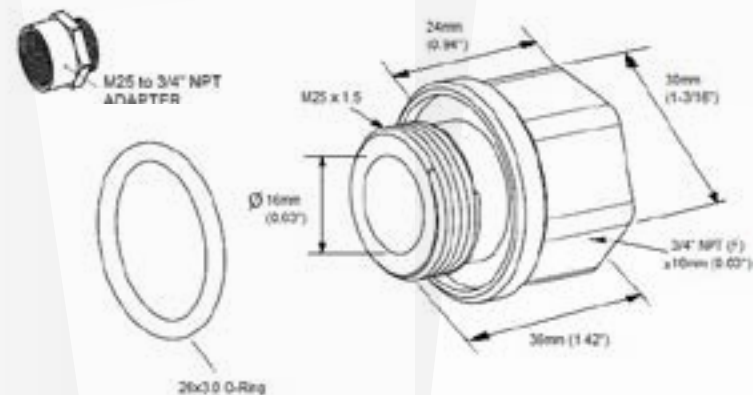
Product No.: F.01U.286.244

MIC-DCA-HBA MIC Hinged DCA with Adapter, Black

DCA mount for a MIC7000 camera. Hinge allows camera to hang temporarily during installation for easier connection of cables/wiring. Aluminum. Two M25 holes for conduit/cable glands. Includes an conduit adapter (male M25 to female 3/4" NPT). Available in specific regions only.

Commercial Type No.: MIC-DCA-HBA

Product No.: F.01U.303.166



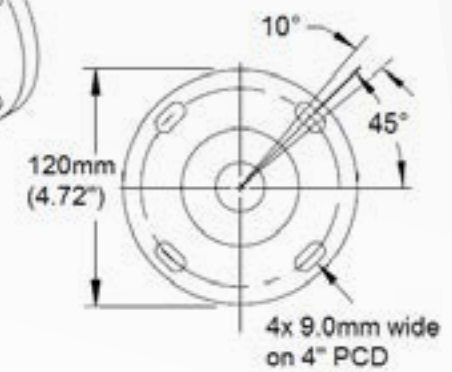
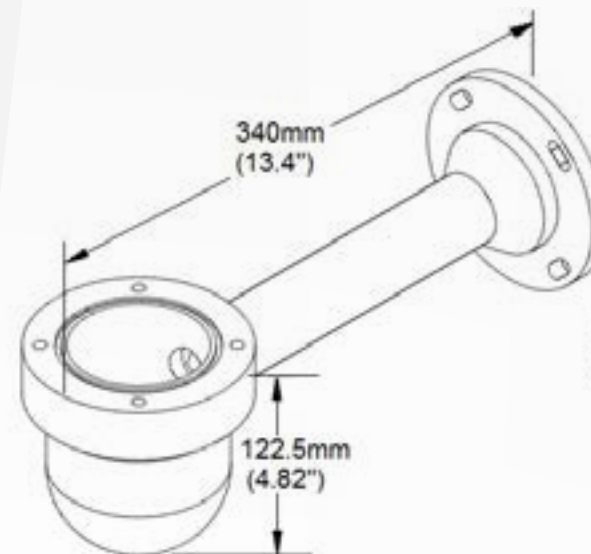
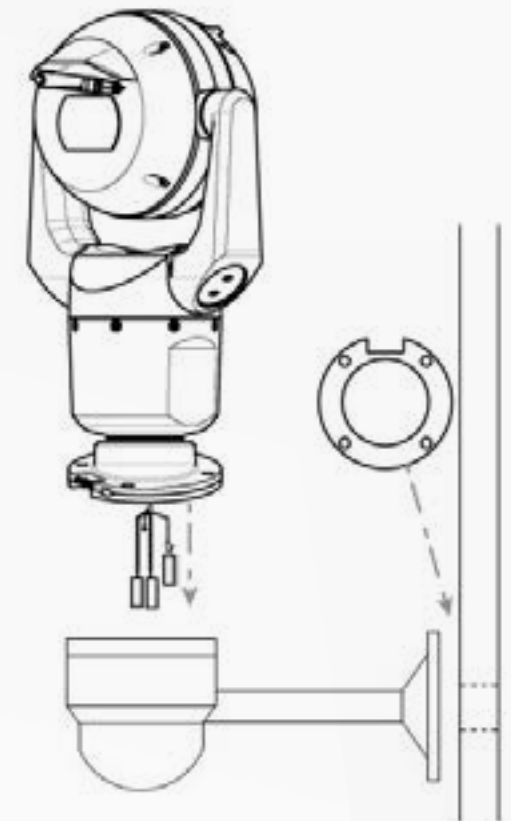


BOSCH
Invented for life

Wall mount (Wires-through-wall application)

MIC-WMB-BD Wall Mount Bracket, Black
Wall mount bracket, black sand finish (RAL9005)

Commercial Type No.: MIC-WMB-BD
Product No.: F.01U.143.155





BOSCH

Invented for life



Wall mount (Conduit-down-wall application)

MIC-WMB-BD Wall Mount Bracket, Black

Wall mount bracket, black sand finish (RAL9005)

Commercial Type No.: MIC-WMB-BD

Product No.: F.01U.143.155

MIC-SCA-BD Shallow Conduit Adapter, Black

Shallow conduit adapter for a MIC-WMB, a MIC-PMB, or a MIC-SPR, black sand finish (RAL9005)

Commercial Type No.: MIC-SCA-BD

Product No.: F.01U.143.153

Optional thread adapter (for MIC-SCA)

Commercial Type No.: MIC-M25XNPT34

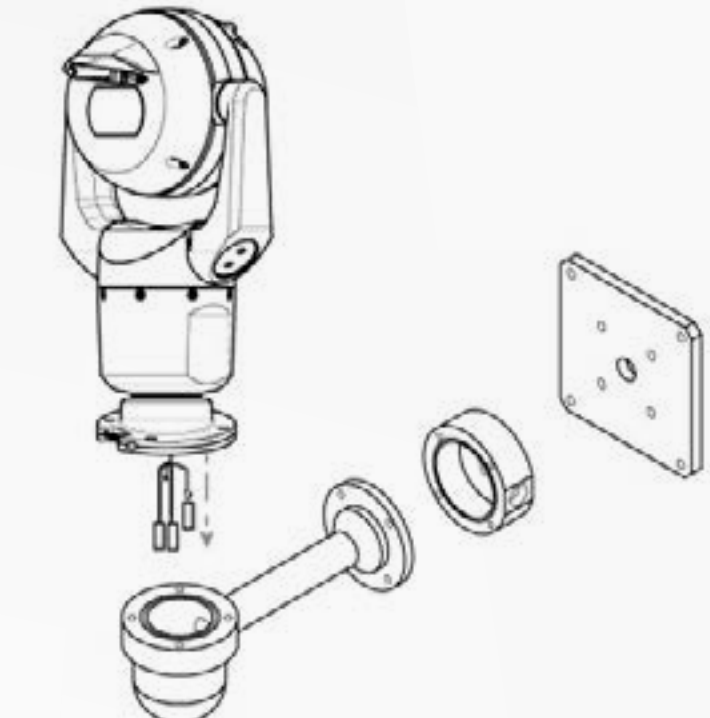
Product No.: F.01U.301.975


MIC-SPR-BD Spreader Plate, Black

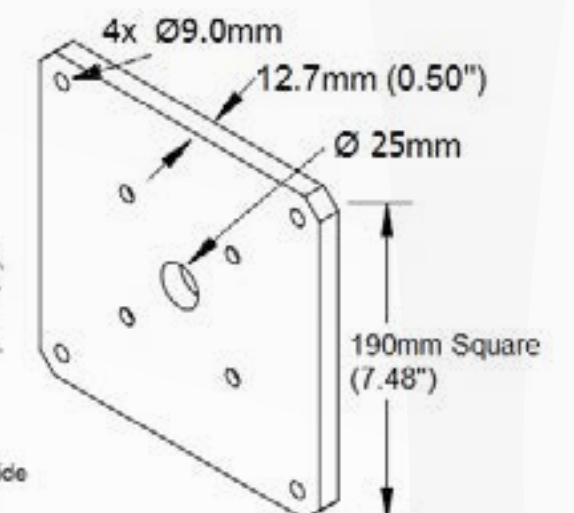
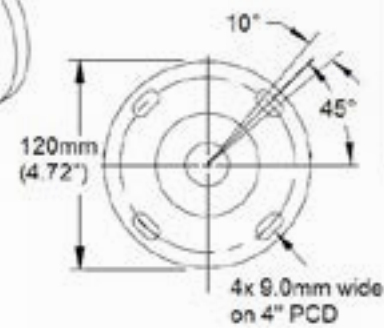
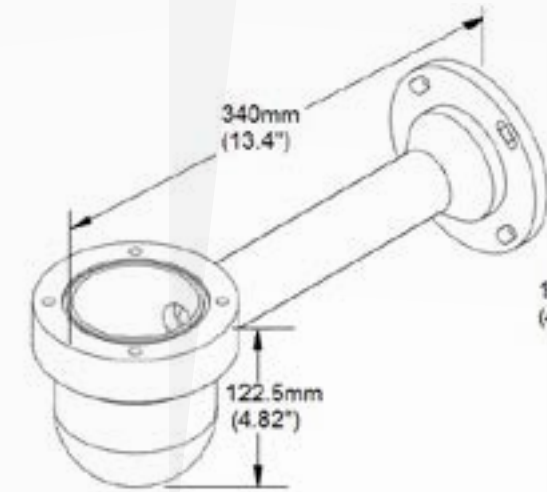
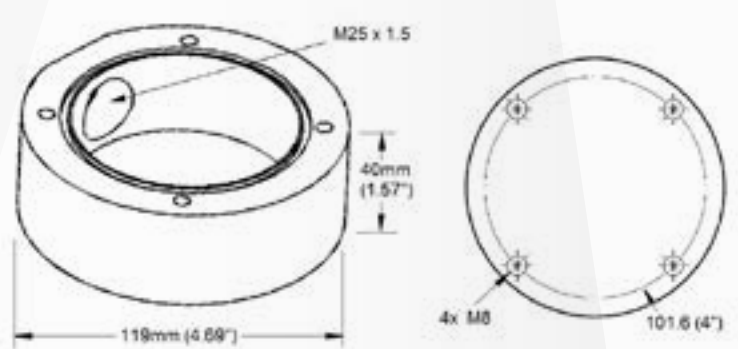
Aluminum spreader plate suitable for brickwork surface mounting, black sand finish (RAL9005)

Commercial Type No.: MIC-SPR-BD

Product No.: F.01U.143.164



Optional thread adapter (for MIC-SCA): 





BOSCH
Invented for life

Pole mount

MIC-PMB Pole Mount Bracket

Pole mount bracket (includes 2 x 455 mm stainless steel banding straps for pole diameters 75 to 145 mm)

Commercial Type No.: MIC-PMB
Product No.: F.01U.087.283

MIC-WMB-BD Wall Mount Bracket, Black

Wall mount bracket, black sand finish (RAL9005)

Commercial Type No.: MIC-WMB-BD
Product No.: F.01U.143.155

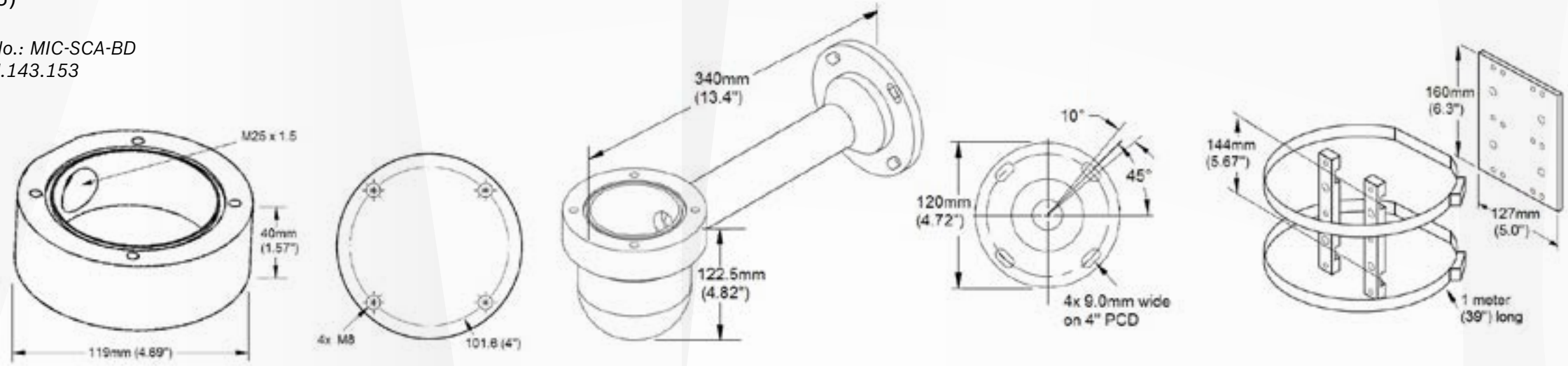
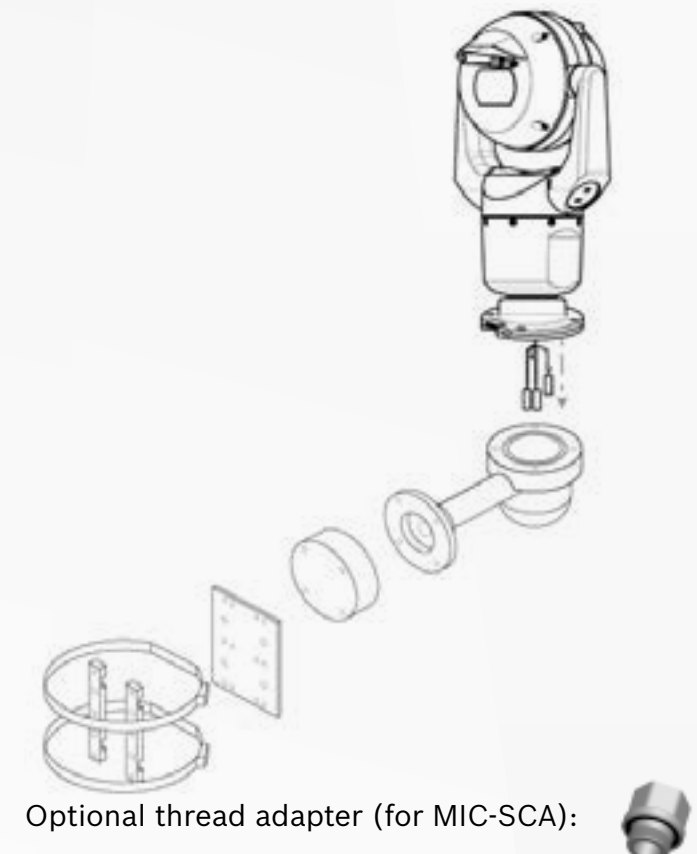
Optional thread adapter (for MIC-SCA)

Commercial Type No.: MIC-M25XNPT34
Product No.: F.01U.301.975

MIC-SCA-BD Shallow Conduit Adapter, Black

Shallow conduit adapter for a MIC-WMB, a MIC-PMB, or a MIC-SPR, black sand finish (RAL9005)

Commercial Type No.: MIC-SCA-BD
Product No.: F.01U.143.153





BOSCH
Invented for life



Corner mount

MIC-CMB-BD Corner Mount Bracket, Black

Corner mount bracket, black sand finish (RAL9005)

Commercial Type No.: MIC-CMB-BD
Product No.: F.01U.143.158

MIC-SCA-BD Shallow Conduit Adapter, Black

Shallow conduit adapter for a MIC-WMB, a MIC-PMB, or a MIC-SPR, black sand finish (RAL9005)

Commercial Type No.: MIC-SCA-BD
Product No.: F.01U.143.153

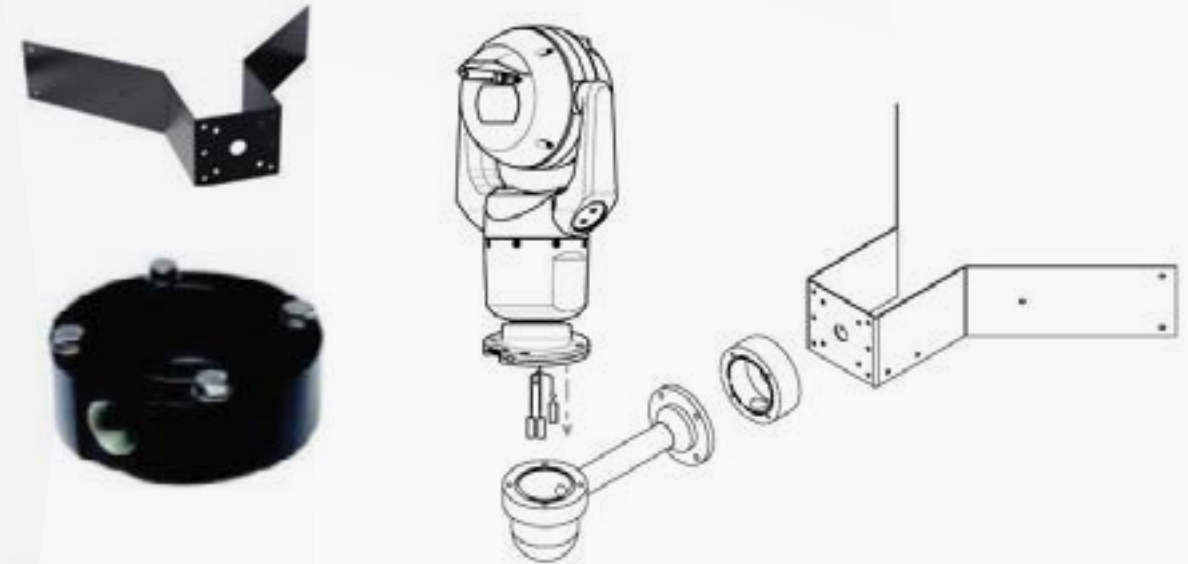
Optional thread adapter (for MIC-SCA)

Commercial Type No.: MIC-M25XNPT34
Product No.: F.01U.301.975

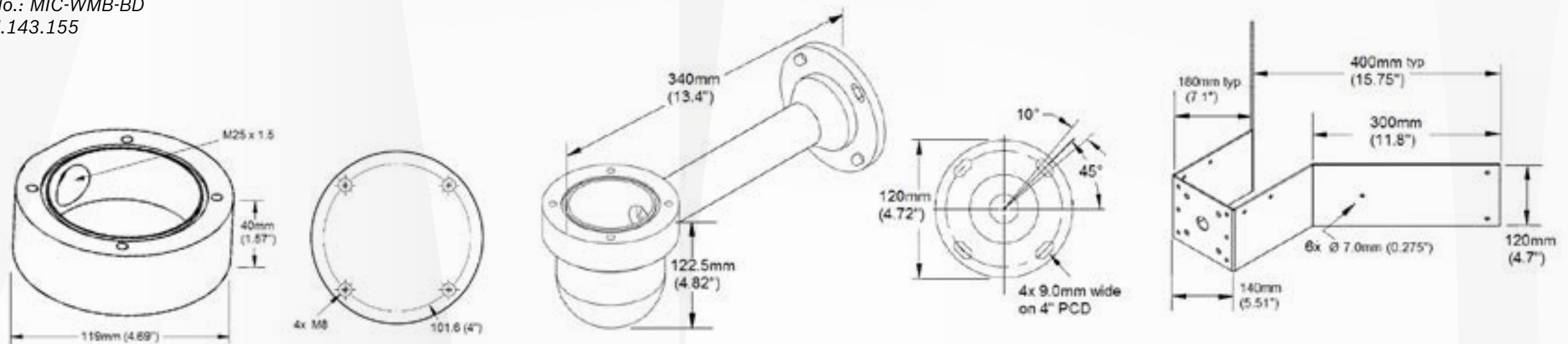
MIC-WMB-BD Wall Mount Bracket, Black

Wall mount bracket, black sand finish (RAL9005)

Commercial Type No.: MIC-WMB-BD
Product No.: F.01U.143.155



Optional thread adapter (for MIC-SCA):





BOSCH
Invented for life

Power supply

VG4-A-PSU1 120 VAC Power Supply Unit

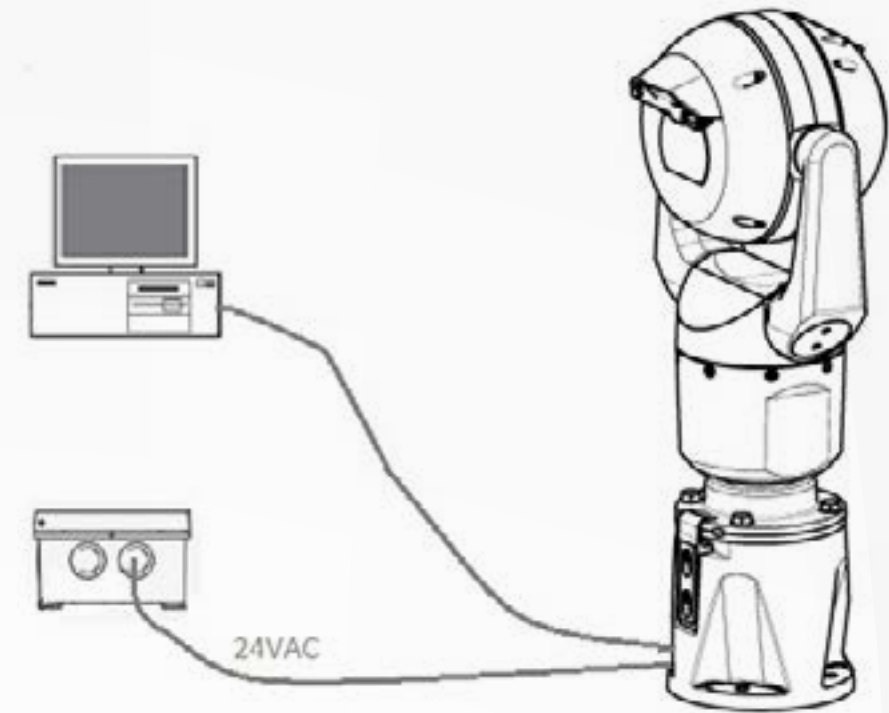
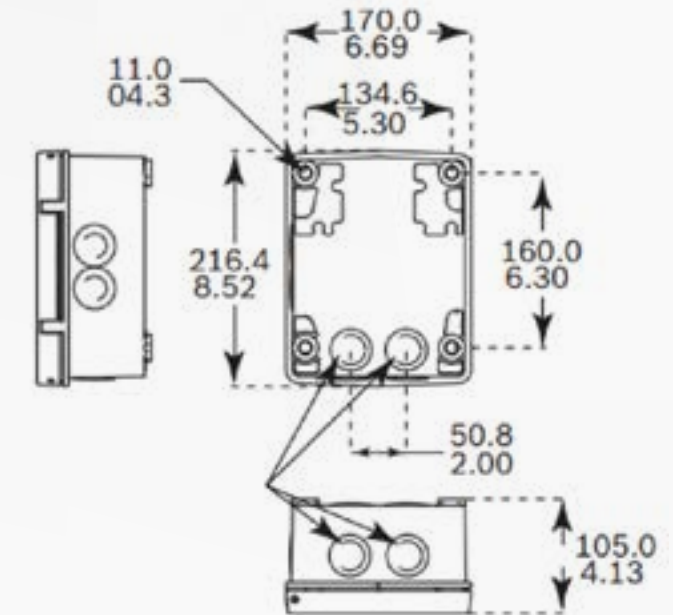
Power supply with transformer, 120 VAC input, for an AUTODOME or MIC7000 Series PTZ camera. White, aluminum enclosure with cover, rated IP66 and IK 08. 100 W output. Optional trim skirt (sold separately).

Commercial Type No.: VG4-A-PSU1
Product No.: F.01U.009.667

VG4-A-PSU2 230 VAC Power Supply Unit

Power supply with transformer, 230 VAC input, for an AUTODOME or MIC7000 Series PTZ camera. White, aluminum enclosure with cover, rated IP66 and IK 08. 100 W output. Optional trim skirt (sold separately).

Commercial Type No.: VG4-A-PSU2
Product No.: F.01U.097.433





BOSCH

Invented for life

Illuminator

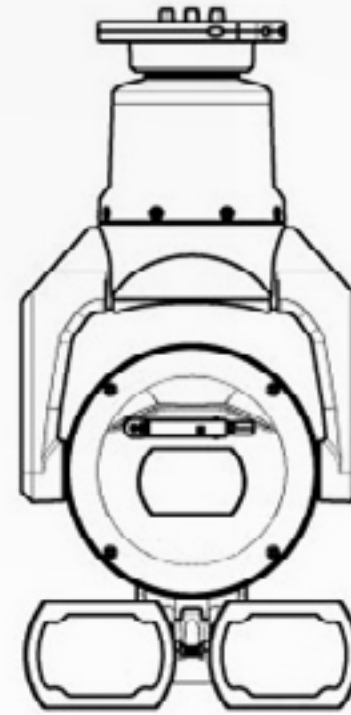
MIC-ILB-300 Illuminator, IR/White light combo, Black

Variable beam illumination with multi spectrum LEDs ensures that IR light is uniformly distributed in the field to avoid dark spots or an over illuminated scene (up to 450m). It allows operators to capture full scene details in color and it can also be used as a deterrent effect.

Combination of multiple banks of IR LED's (850 and 940 nm) and White light LED's (6700K).

Black (RAL 9005). Sand finish.

Commercial Type No.: MIC-ILB-300
Product No.: F.01U.328.510





BOSCH
Invented for life



VIDEOJET connect

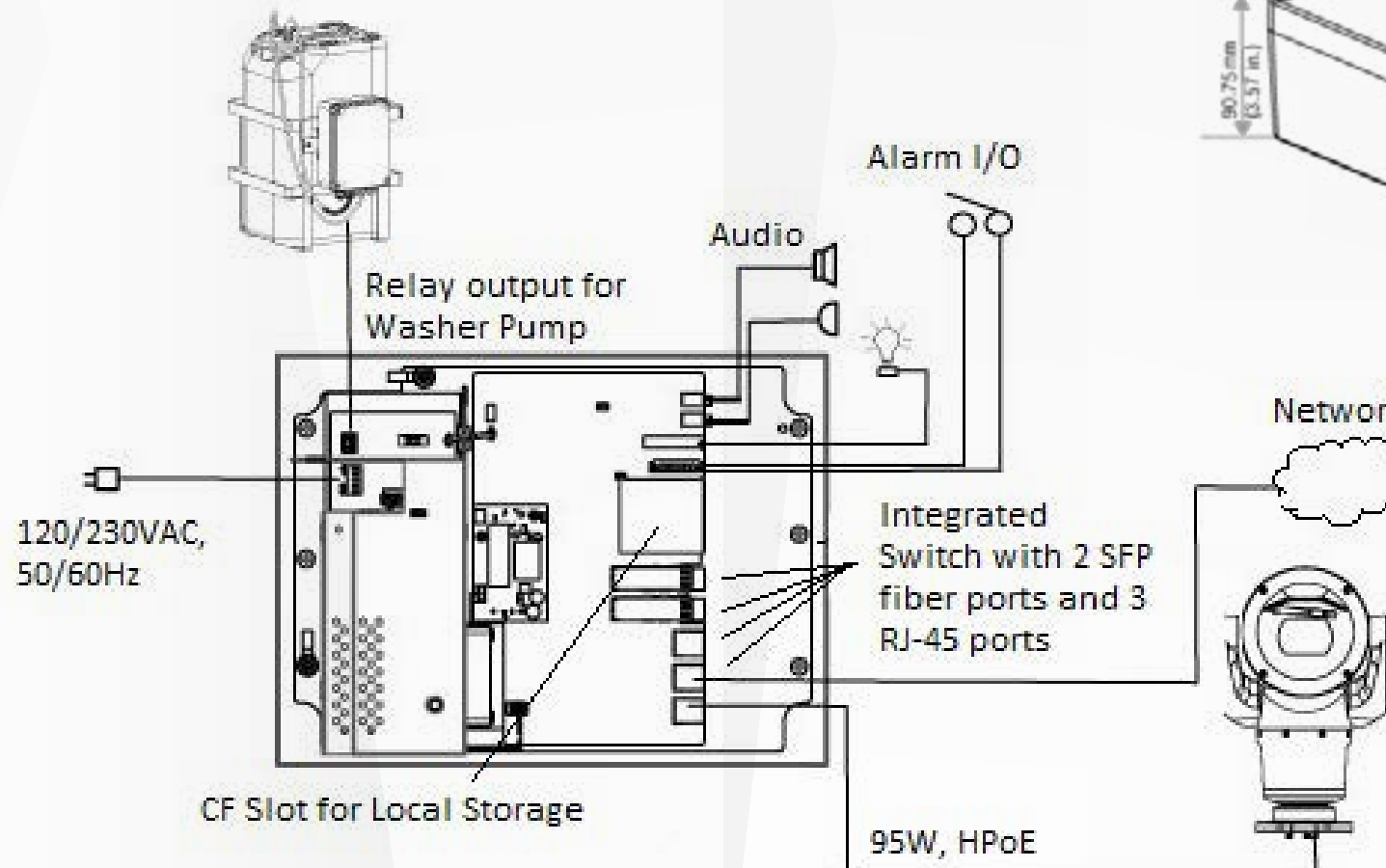
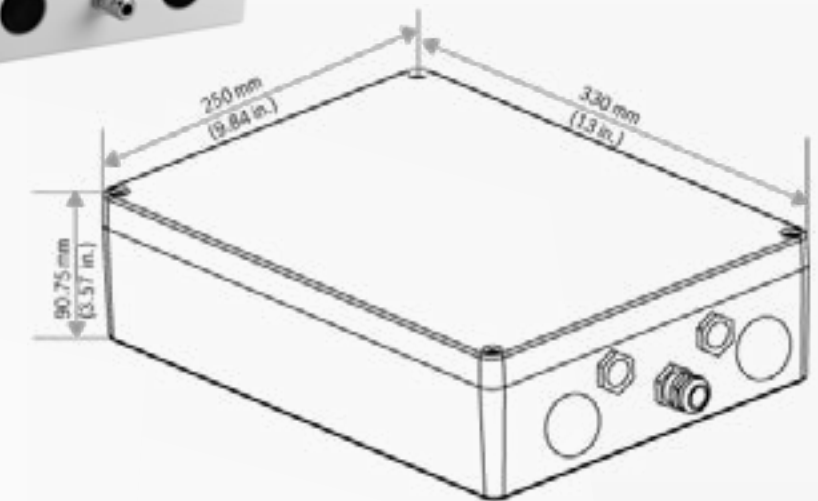
VJC-7000-90 95 W, PoE power supply unit

95 W, PoE IP power supply unit, 100 VAC - 240 VAC (90 VAC - 264 VAC with tolerance considered), 50/60 Hz.

The device includes one (1) HPoE network connection, two (2) standard network interfaces for connections to additional IP devices, one (1) slot for an optional CompactFlash (CF) memory card, two (2) slots for use with SFP-based fiber optic modules, and alarm/washer control interfaces.

Commercial Type No.: VJC-7000-90

Product No.: F.01U.286.249





BOSCH

Invented for life

Mid-Span Power Injectors

NPD-9501A High PoE midspan 95 W, single port, AC in

High PoE, 95 W, Single Port Midspan with AC in for use with and without MIC illuminator

Commercial Type No.: NPD-9501A

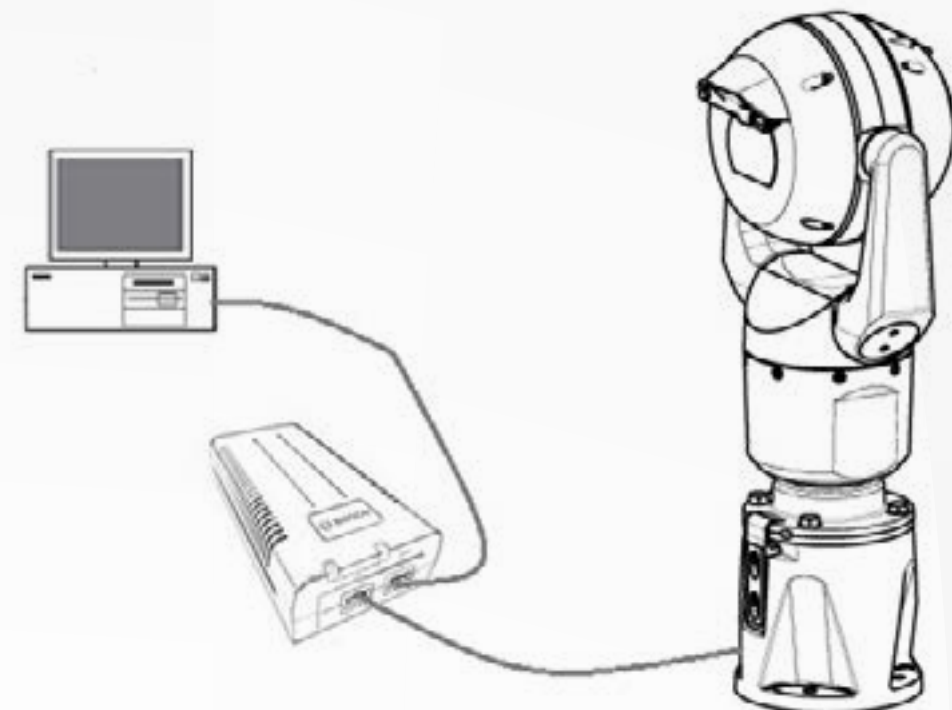
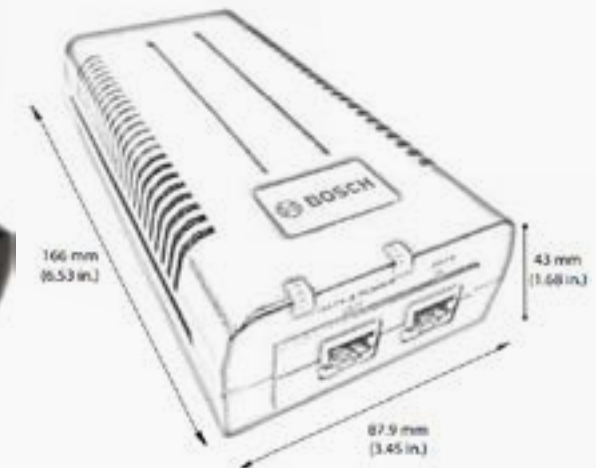
Product No.: F.01U.286.250

NPD-6001A High PoE midspan 60 W, single port, AC in

High Power, 60 W Single Port PoE Midspan with AC in for use without MIC illuminator

Commercial Type No.: NPD-6001A

Product No.: F.01U.275.994





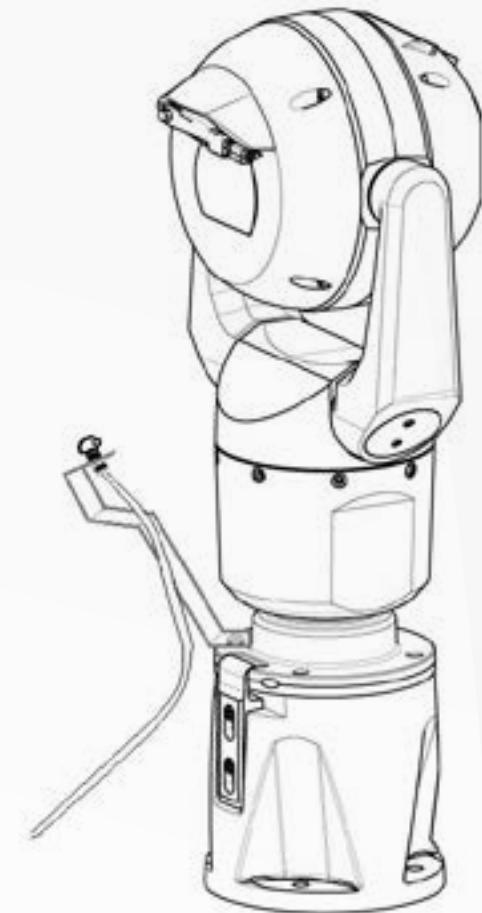
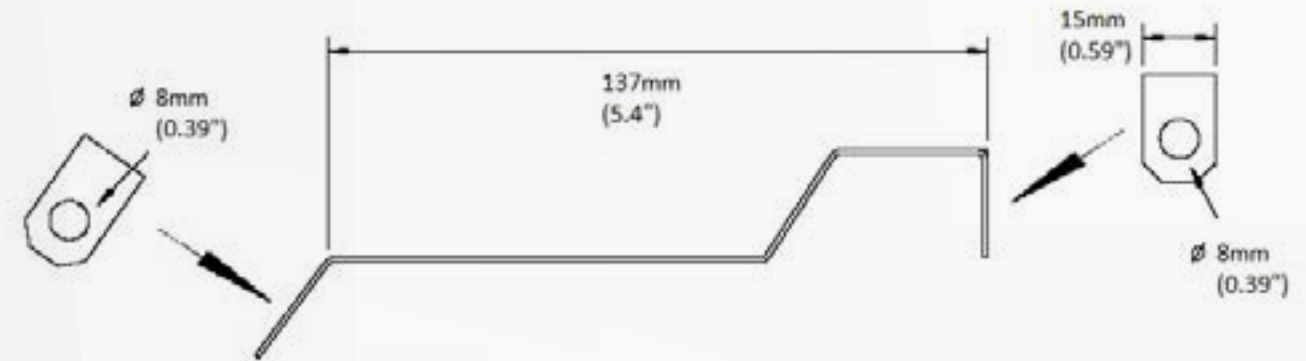
BOSCH
Invented for life

Washer interface kit

MIC-WKT-IR Washer Kit

Washer kit for MIC7000 camera models. Includes washer nozzle and mounting brackets for wall or 101.6 mm (4 in.) PCD base. Requires a third-party washer pump.

Commercial Type No.: MIC-WKT-IR
Product No.: F.01U.087.255





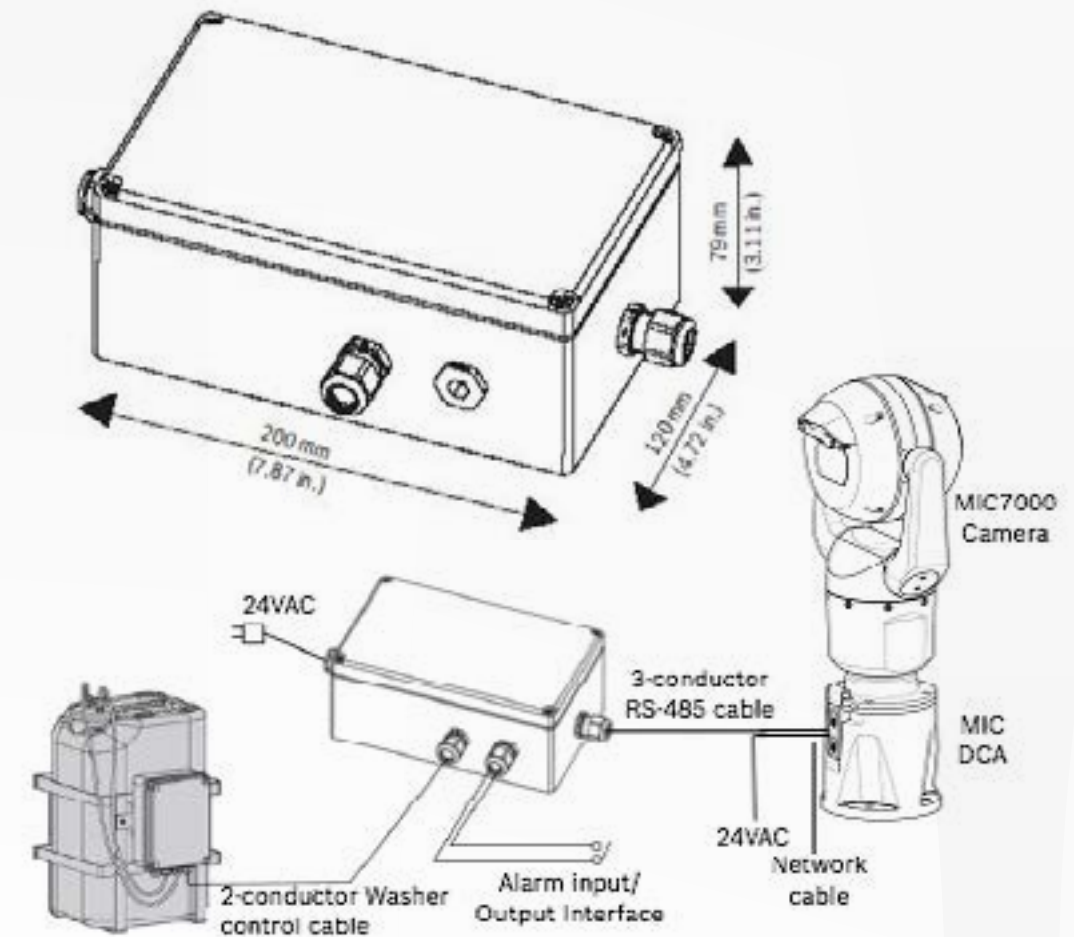
BOSCH
Invented for life

Alarm/washer Interface Box

MIC-ALM-WAS-24 Alarm/Washer Interface Unit for MIC cameras

Interface box for alarms and washer pump connections for MIC7000 cameras, 24 VAC. Impact-resistant polycarbonate enclosure, rated to IP67 and NEMA 4X, with four (4) watertight glands. Grey (RAL 7035).

Commercial Type No.: MIC-ALM-WAS-24
Product No.: F.01U.286.248





BOSCH
Invented for life

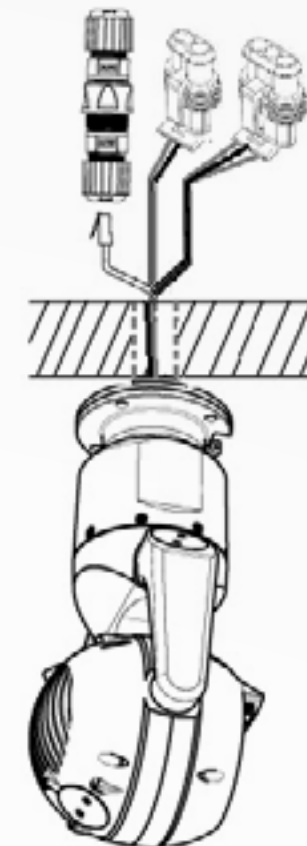


IP67 weatherproof KIT for MIC pigtail wires

MIC-IP67-5PK MIC7000 IP67 Connector Kit, 5Pack

This kit protects the connections of as many as 5 MIC7000 cameras against dust or moisture, to an ingress rating of IP67. Required for MIC7000 cameras mounted directly to a surface (instead of to a MIC-DCA or to a MIC wall mount).

Commercial Type No.: MIC-IP67-5PK
Product No.: F.01U.294.750





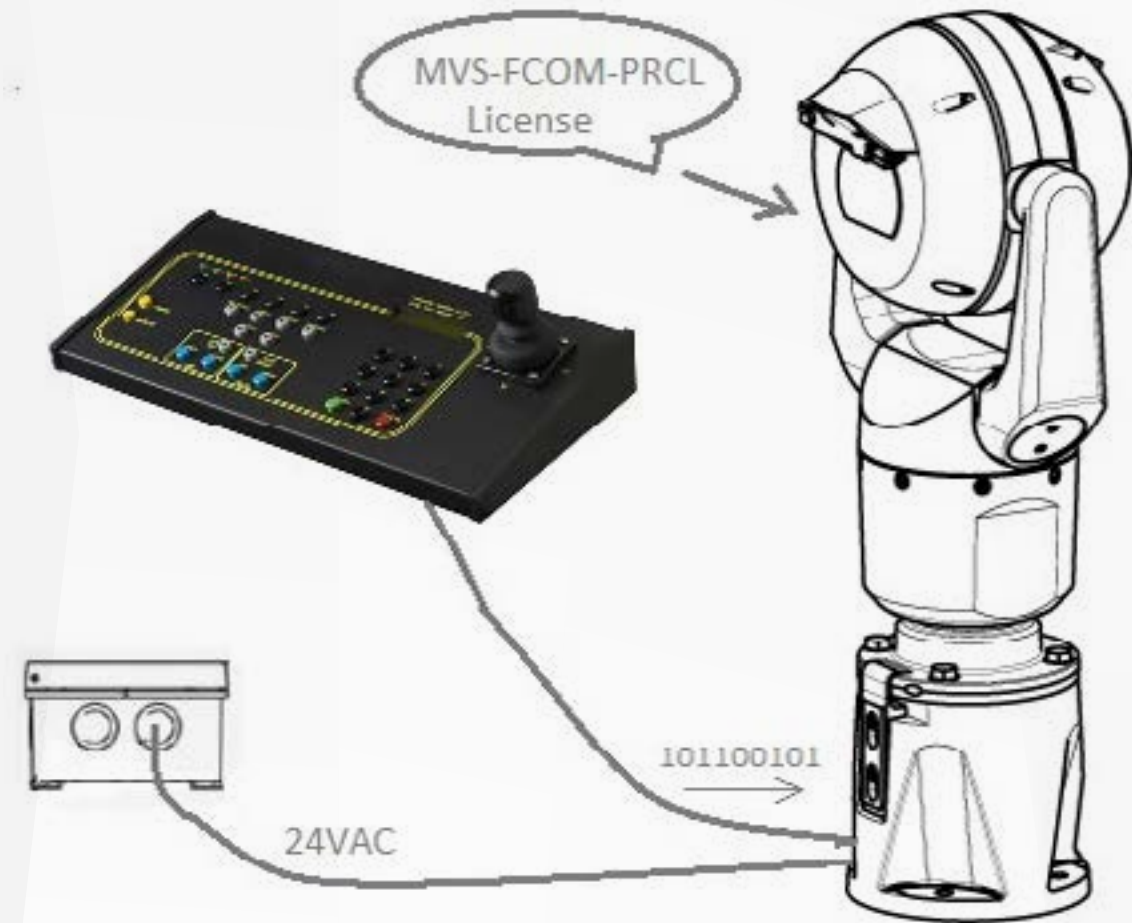
BOSCH
Invented for life



Software License for IP Cameras

MVS-FCOM-PRCL Software License for IP Cameras
Serial Protocol Software License (e-license) for IP Cameras

Commercial Type No.: MVS-FCOM-PRC
Product No.: F.01U.314.101





BOSCH
Invented for life



Please click on the appropriate accessory

Deep Conduit Adapter (*General application*)

[VIEW HERE](#) →

Wall mount (*Wires-through-wall application*)

[VIEW HERE](#) →

Wall mount (*Conduit-down-wall-application*)

[VIEW HERE](#) →

Pole Mount

[VIEW HERE](#) →

Corner mount

[VIEW HERE](#) →

Power supply

[VIEW HERE](#) →

Illuminator

[VIEW HERE](#) →

VIDEOJET connect

[VIEW HERE](#) →

Mid-Span Power Injectors

[VIEW HERE](#) →

Washer Interface Kit

[VIEW HERE](#) →

Alarm/Washer Interface box

[VIEW HERE](#) →

IP67 Weatherproof KIT for MIC Pigtail Wires

[VIEW HERE](#) →

Software License for IP Cameras

[VIEW HERE](#) →





BOSCH

Invented for life



Deep Conduit Adapter (General application)

MIC-DCA-HG MIC Hinged DCA, Grey

DCA mount for a MIC7000 camera. Hinge allows camera to hang temporarily during installation for easier connection of cables/wiring. Aluminum. Two M25 holes for conduit/cable glands.

Commercial Type No.: MIC-DCA-HG

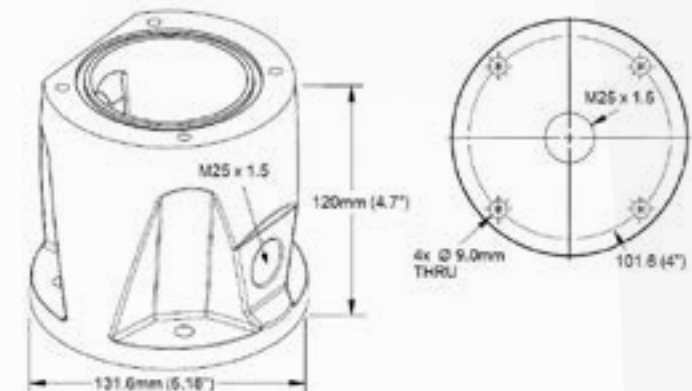
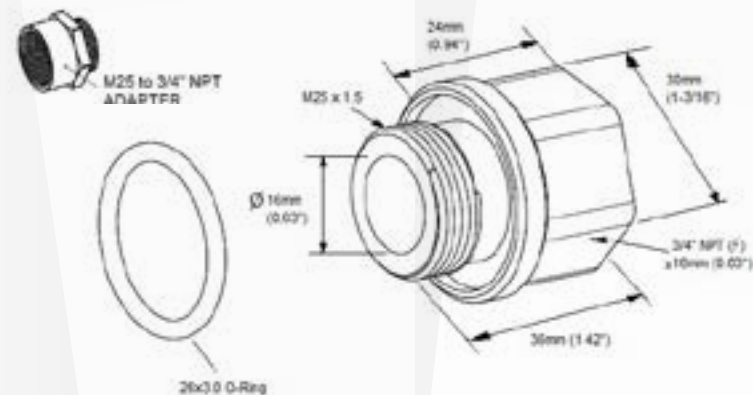
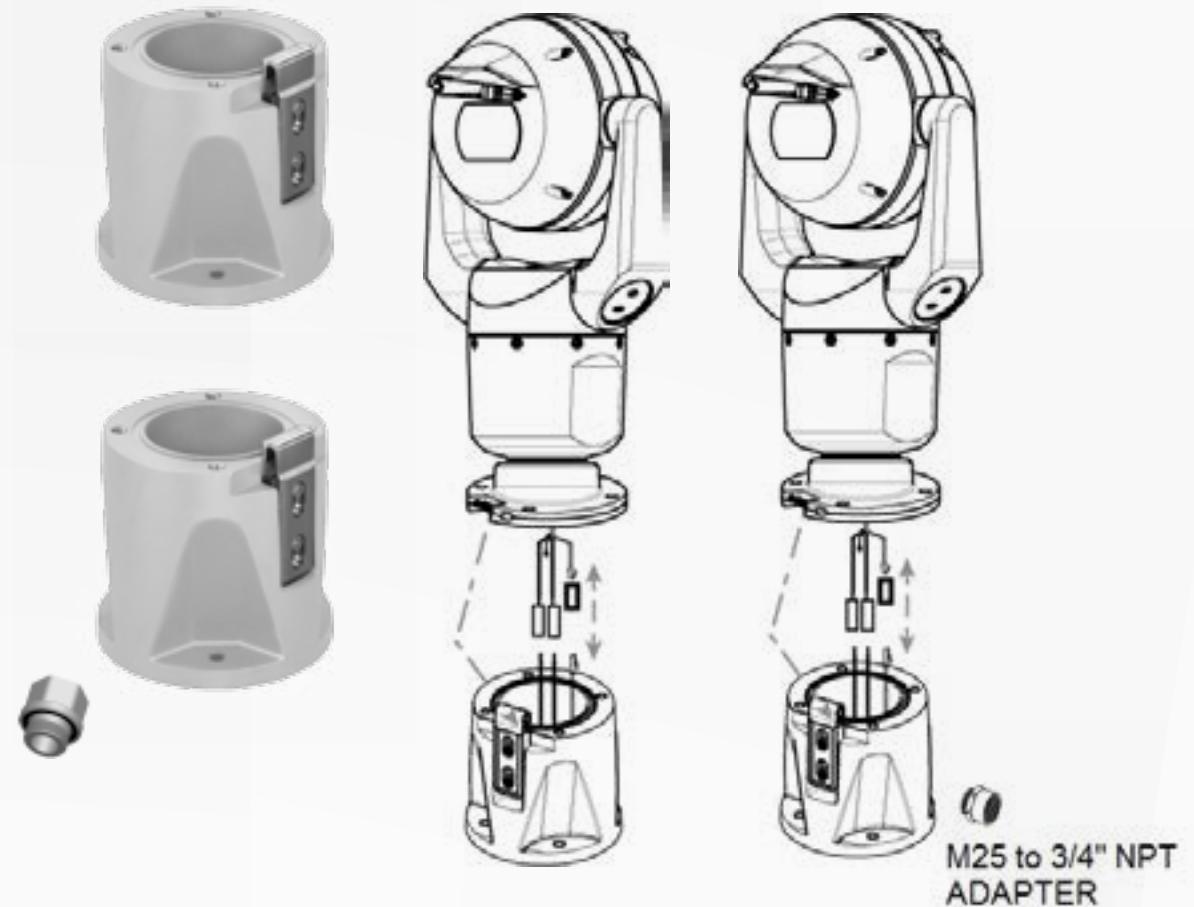
Product No.: F.01U.286.246

MIC-DCA-HGA MIC Hinged DCA with Adapter, Grey

DCA mount for a MIC7000 camera. Hinge allows camera to hang temporarily during installation for easier connection of cables/wiring. Aluminum. Two M25 holes for conduit/cable glands. Includes an conduit adapter (male M25 to female 3/4" NPT). Available in specific regions only.

Commercial Type No.: MIC-DCA-HGA

Product No.: F.01U.303.168





BOSCH

Invented for life



Wall mount (Wires-through-wall application)

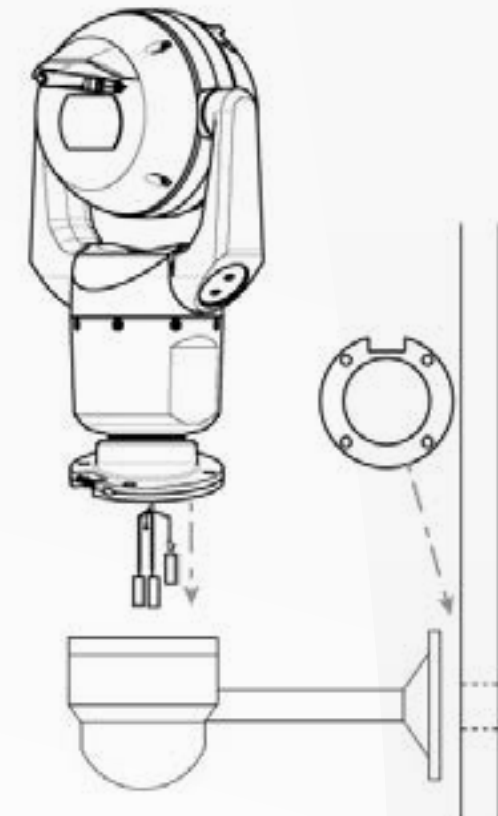
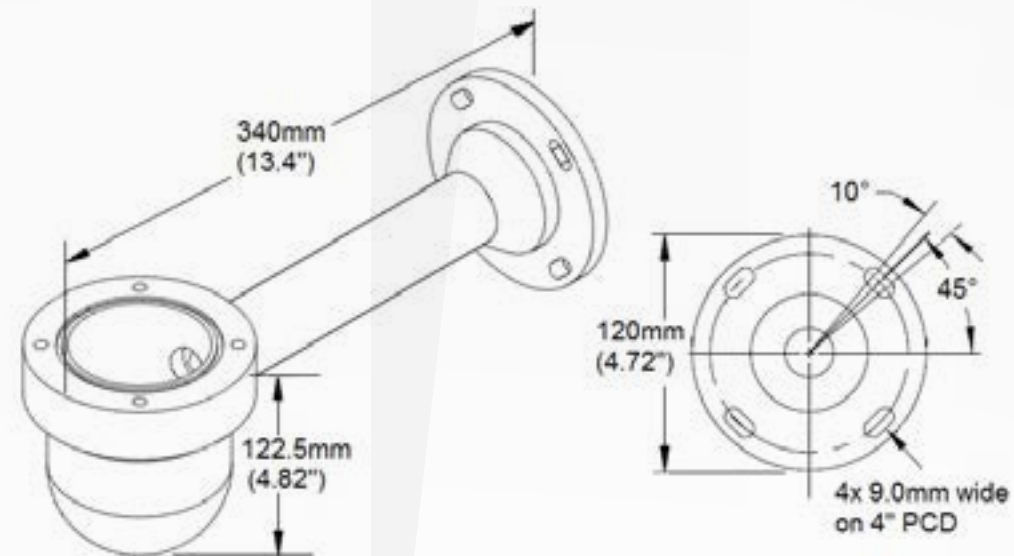
MIC-WMB-MG Wall Mount Bracket, Grey

Wall Mount Bracket. Grey (RAL 7001).

Available in specific regions only. Sand finish.

Commercial Type No.: MIC-WMB-MG

Product No.: F.01U.296.299





BOSCH

Invented for life

Wall mount (Conduit-down-wall application)

MIC-WMB-MG Wall Mount Bracket, Grey

Wall Mount Bracket. Grey (RAL 7001). Available in specific regions only. Sand finish.

Commercial Type No.: MIC-WMB-MG
Product No.: F.01U.296.299

MIC-SCA-MG Shallow Conduit Adapter, Grey

Shallow conduit adapter for a MIC-WMB, a MIC-PMB, or a MIC-SPR. Grey (RAL 7001). Available in specific regions only. Sand finish.

Commercial Type No.: MIC-SCA-MG
Product No.: F.01U.296.297

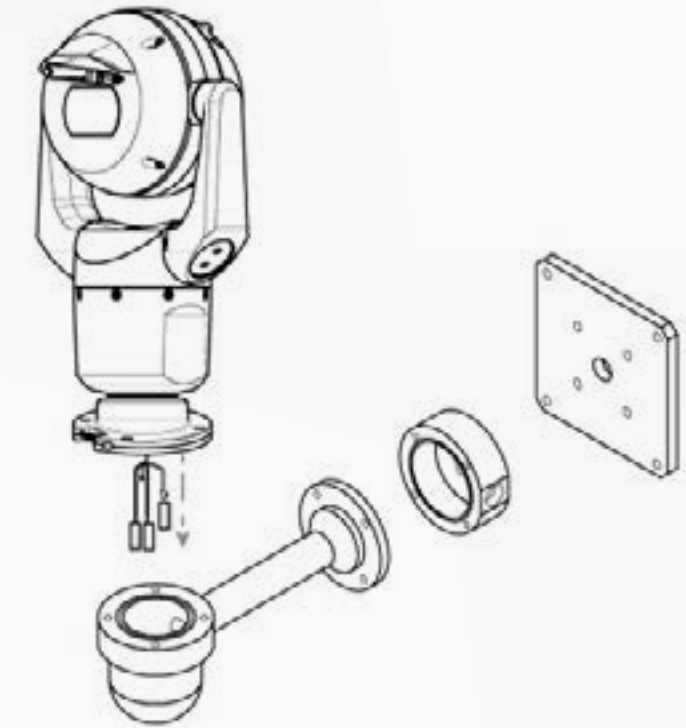
Optional thread adapter (for MIC-SCA)

Commercial Type No.: MIC-M25XNPT34
Product No.: F.01U.301.975

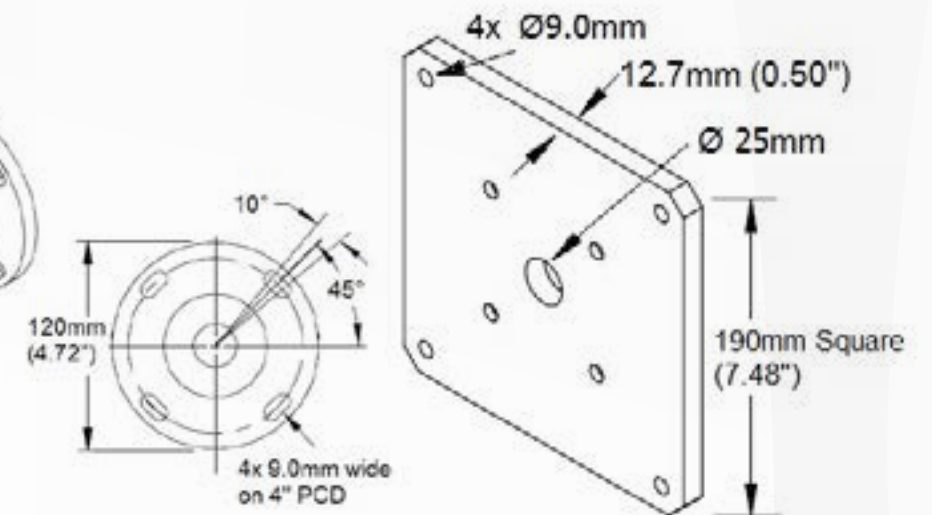
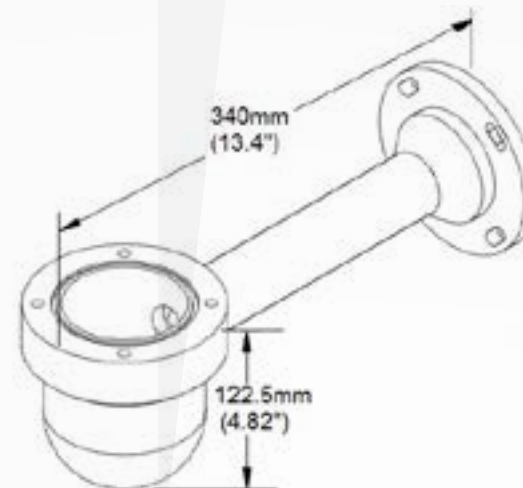
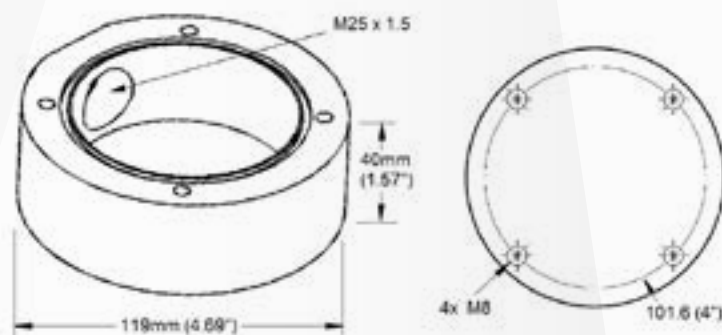
MIC-SPR-MG Spreader Plate, Grey

Aluminum spreader plate suitable for brickwork surface mounting. Grey (RAL 7001). Available in specific regions only. Sand finish.

Commercial Type No.: MIC-SPR-MG
Product No.: F.01U.296.298



Optional thread adapter (for MIC-SCA):





BOSCH
Invented for life

Pole mount

MIC-PMB Pole Mount Bracket

Pole mount bracket (includes 2 x 455 mm stainless steel banding straps for pole diameters 75 to 145 mm)

Commercial Type No.: MIC-PMB
Product No.: F.01U.087.283

MIC-WMB-MG Wall Mount Bracket, Grey

Wall Mount Bracket.
Grey (RAL 7001). Available in specific regions only. Sand finish.

Commercial Type No.: MIC-WMB-MG
Product No.: F.01U.296.299

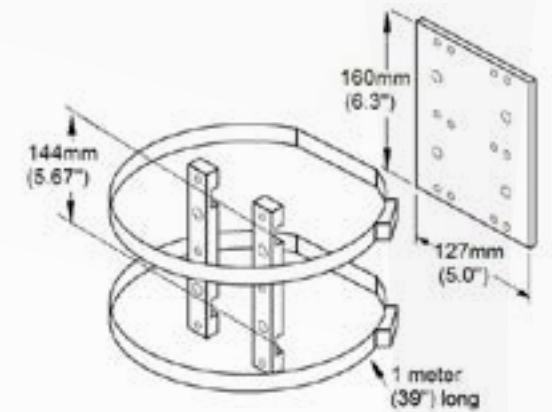
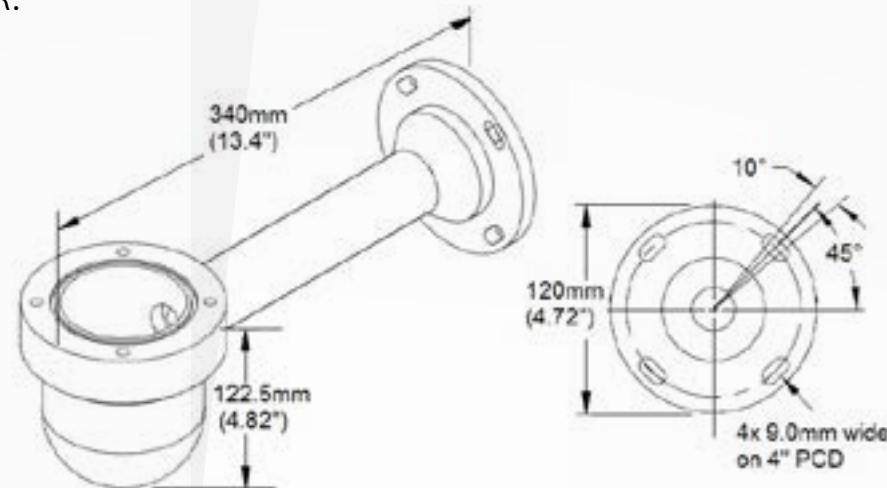
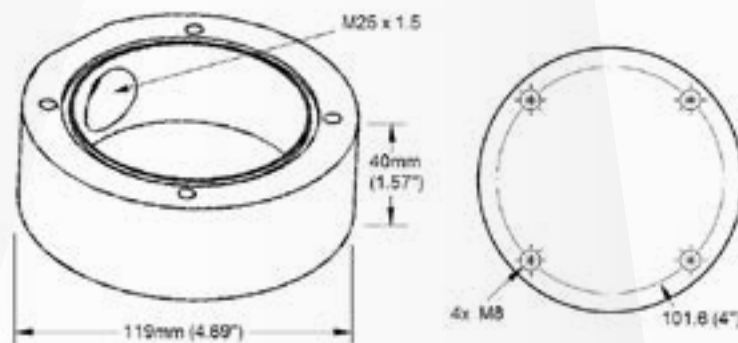
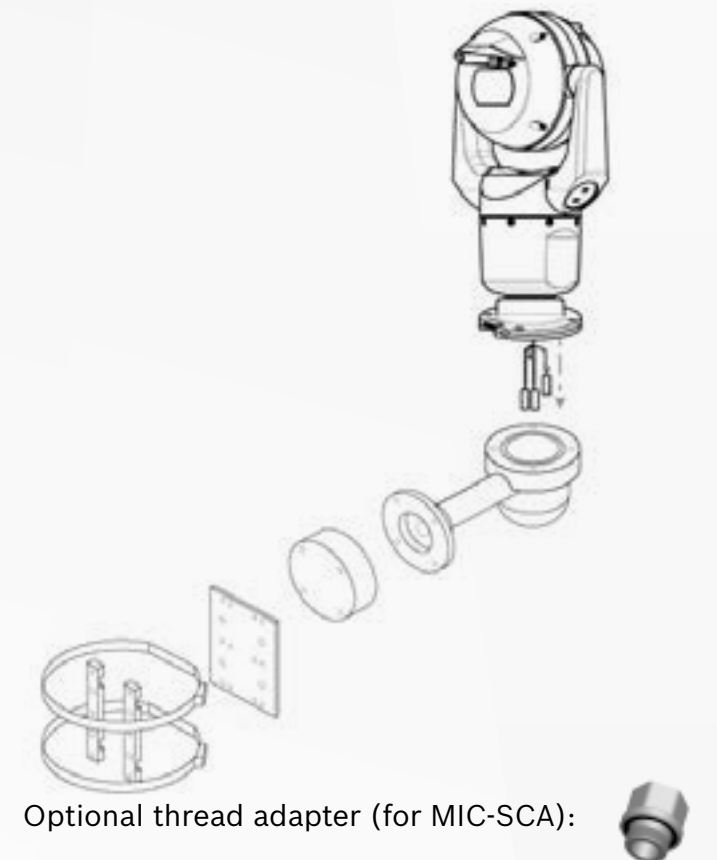
Optional thread adapter (for MIC-SCA)

Commercial Type No.: MIC-M25XNPT34
Product No.: F.01U.301.975

MIC-SCA-MG Shallow Conduit Adapter, Grey

Shallow conduit adapter for a MIC-WMB, a MIC-PMB, or a MIC-SPR.
Grey (RAL 7001). Available in specific regions only. Sand finish.)

Commercial Type No.: MIC-SCA-MG
Product No.: F.01U.296.297





BOSCH

Invented for life

Corner mount

MIC-CMB-MG Corner Mount Bracket, Grey

Corner mount bracket.

Grey (RAL 7001). Available in specific regions only. Sand finish

Commercial Type No.: MIC-CMB-MG

Product No.: F.01U.296.296

MIC-SCA-MG Shallow Conduit Adapter, Grey

Shallow conduit adapter for a MIC-WMB, a MIC-PMB, or a MIC-SPR. Grey (RAL 7001). Available in specific regions only. Sand finish.

Commercial Type No.: MIC-SCA-MG

Product No.: F.01U.296.297

Optional thread adapter (for MIC-SCA)

Commercial Type No.: MIC-M25XNPT34

Product No.: F.01U.301.975

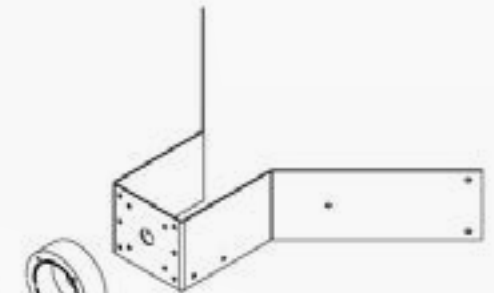
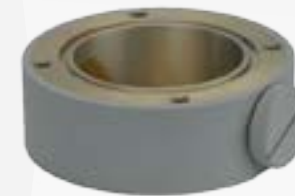
MIC-WMB-MG Wall Mount Bracket, Grey

Wall Mount Bracket.

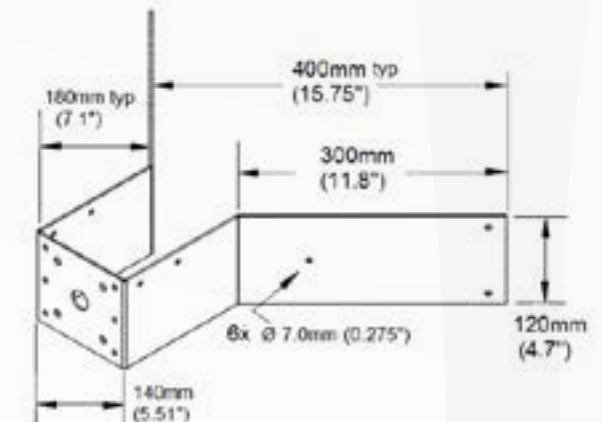
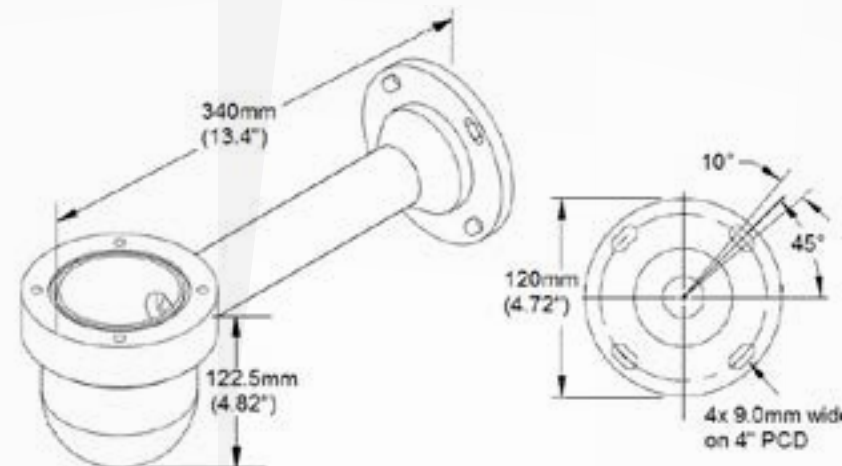
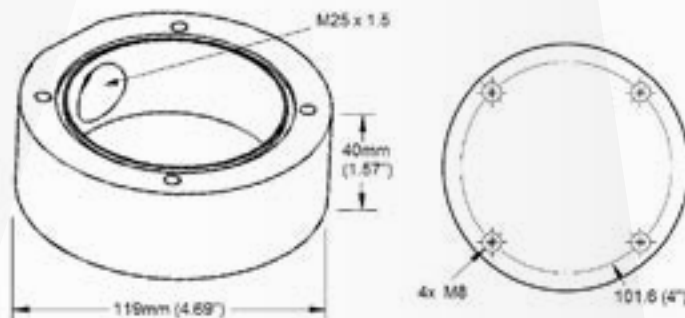
Grey (RAL 7001). Available in specific regions only. Sand finish.

Commercial Type No.: MIC-WMB-MG

Product No.: F.01U.296.299



Optional thread adapter (for MIC-SCA):





BOSCH
Invented for life

Power supply

VG4-A-PSU1 120 VAC Power Supply Unit

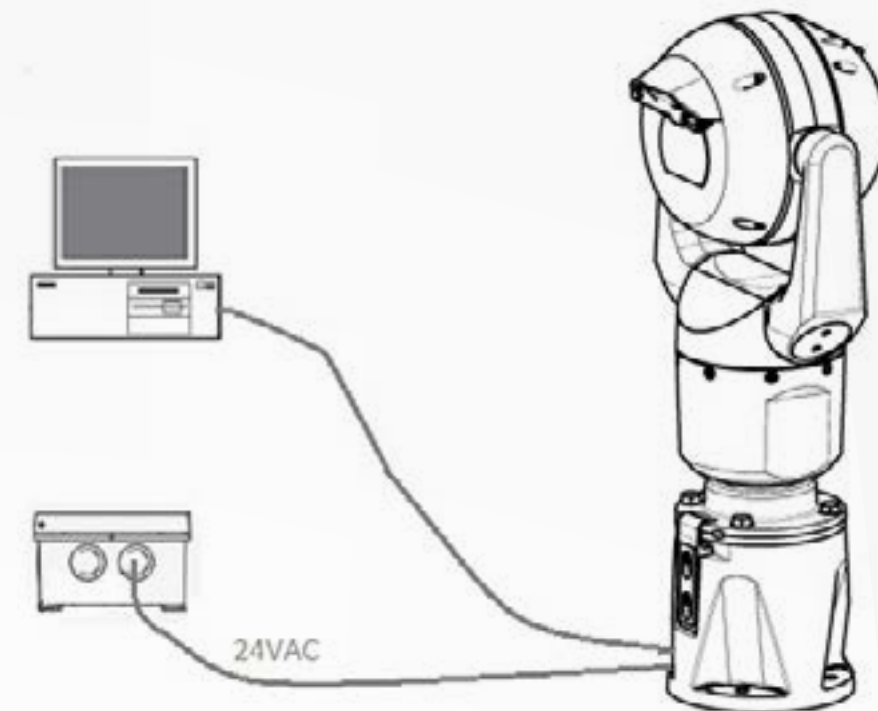
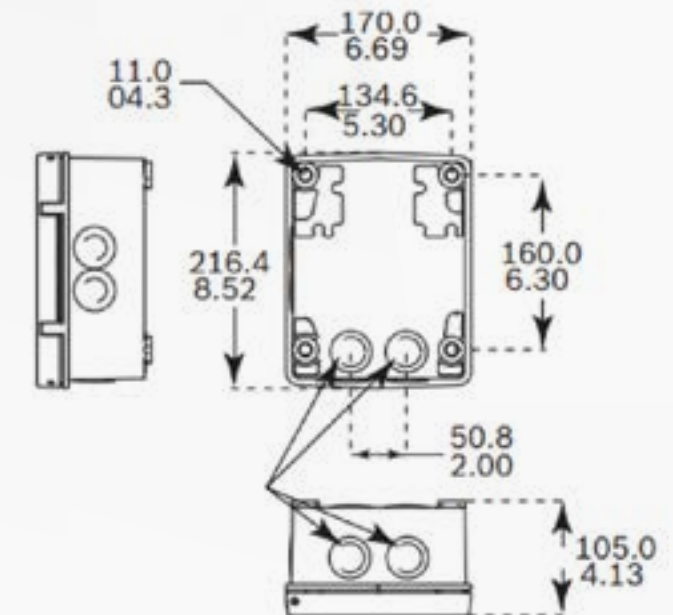
Power supply with transformer, 120 VAC input, for an AUTODOME or MIC7000 Series PTZ camera. White, aluminum enclosure with cover, rated IP66 and IK 08. 100 W output. Optional trim skirt (sold separately).

Commercial Type No.: VG4-A-PSU1
Product No.: F.01U.009.667

VG4-A-PSU2 230 VAC Power Supply Unit

Power supply with transformer, 230 VAC input, for an AUTODOME or MIC7000 Series PTZ camera. White, aluminum enclosure with cover, rated IP66 and IK 08. 100 W output. Optional trim skirt (sold separately).

Commercial Type No.: VG4-A-PSU2
Product No.: F.01U.097.433





BOSCH

Invented for life

Illuminator

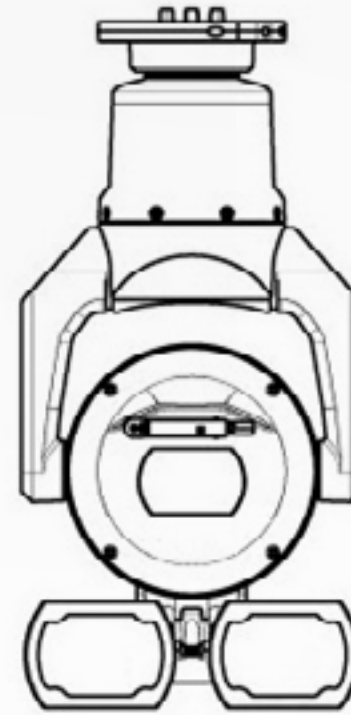
MIC-ILG-300 Illuminator, IR/White light combo, Grey

Variable beam illumination with multi spectrum LEDs ensures that IR light is uniformly distributed in the field to avoid dark spots or an over illuminated scene (up to 450m). It allows operators to capture full scene details in color and it can also be used as a deterrent effect.

Combination of multiple banks of IR LED's (850 and 940 nm) and White light LED's (6700K).

Grey (RAL 7001). Available in specific regions only. Sand finish.

Commercial Type No.: MIC-ILG-300
Product No.: F.01U.328.512





BOSCH
Invented for life



VIDEOJET connect

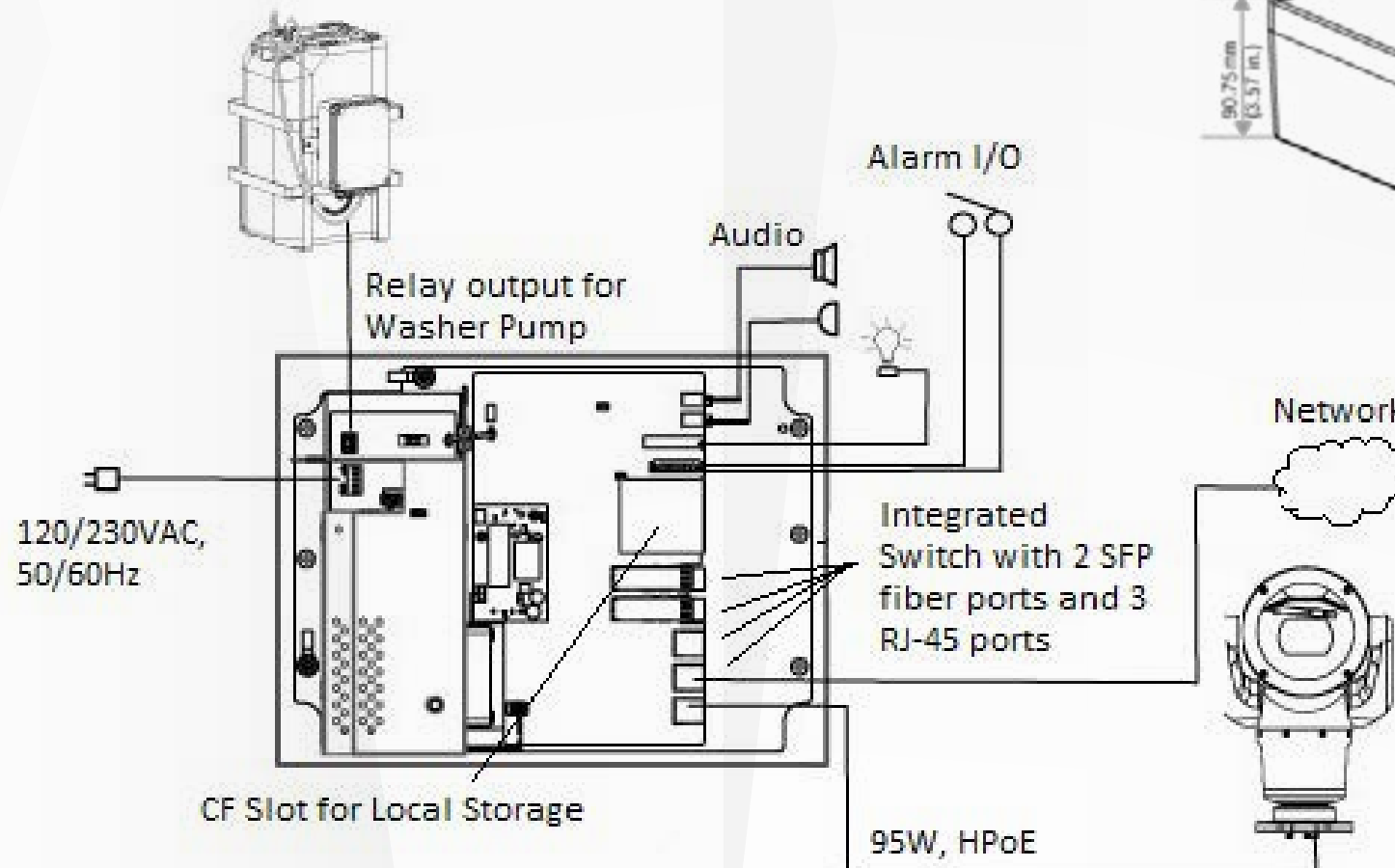
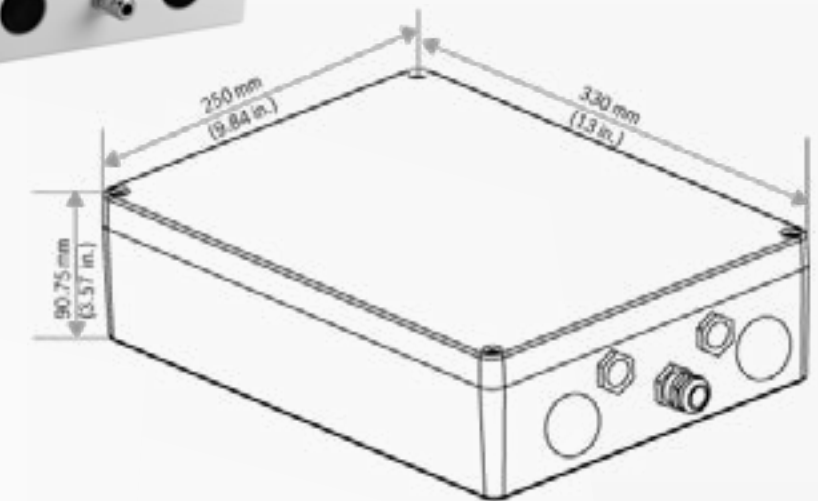
VJC-7000-90 95 W, PoE power supply unit

95 W, PoE IP power supply unit, 100 VAC - 240 VAC (90 VAC - 264 VAC with tolerance considered), 50/60 Hz.

The device includes one (1) HPoE network connection, two (2) standard network interfaces for connections to additional IP devices, one (1) slot for an optional CompactFlash (CF) memory card, two (2) slots for use with SFP-based fiber optic modules, and alarm/washer control interfaces.

Commercial Type No.: VJC-7000-90

Product No.: F.01U.286.249





BOSCH
Invented for life

Mid-Span Power Injectors

NPD-9501A High PoE midspan 95 W, single port, AC in

High PoE, 95 W, Single Port Midspan with AC in for use with and without MIC illuminator

Commercial Type No.: NPD-9501A

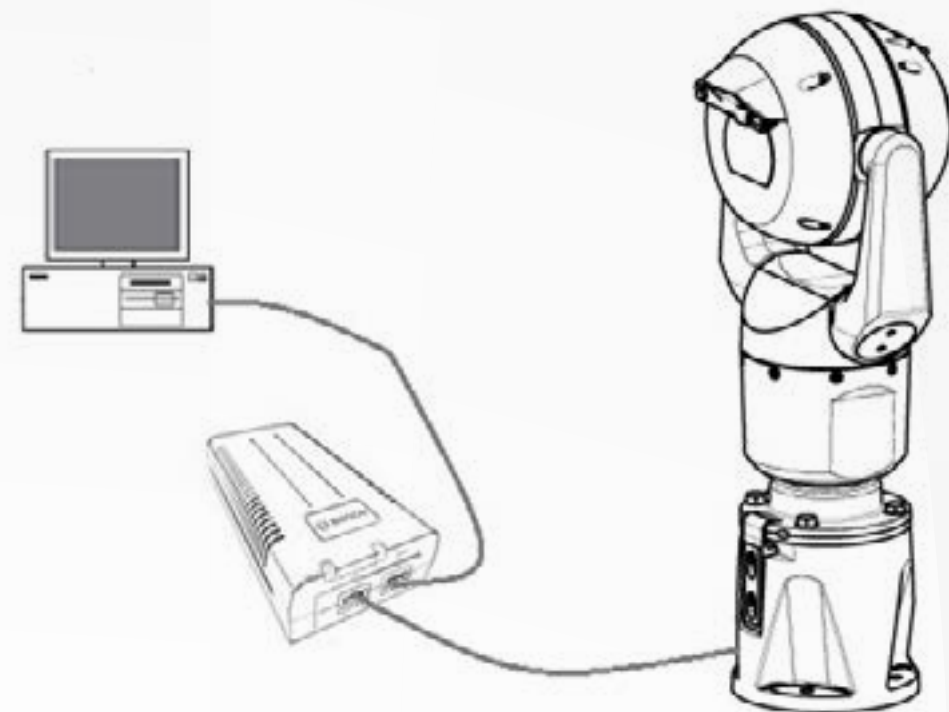
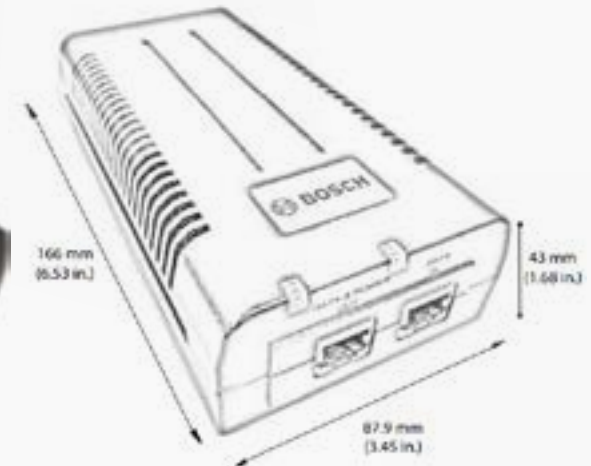
Product No.: F.01U.286.250

NPD-6001A High PoE midspan 60 W, single port, AC in

High Power, 60 W Single Port PoE Midspan with AC in for use without MIC illuminator

Commercial Type No.: NPD-6001A

Product No.: F.01U.275.994





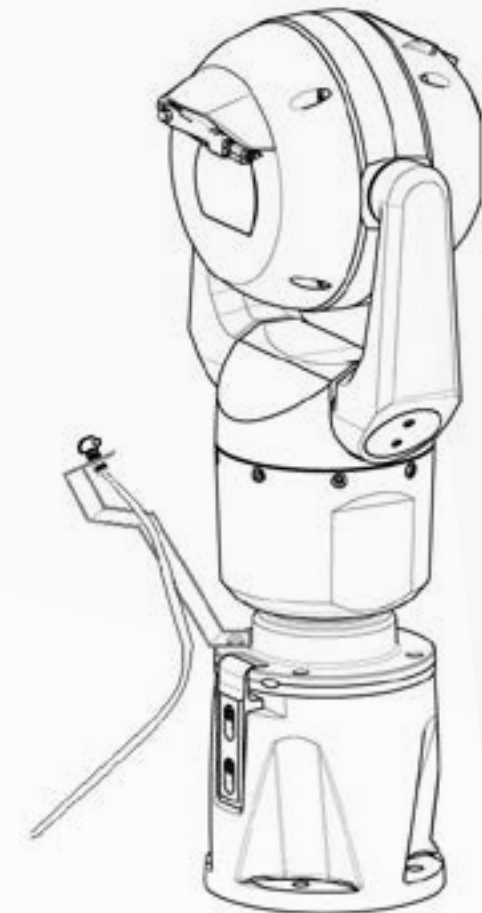
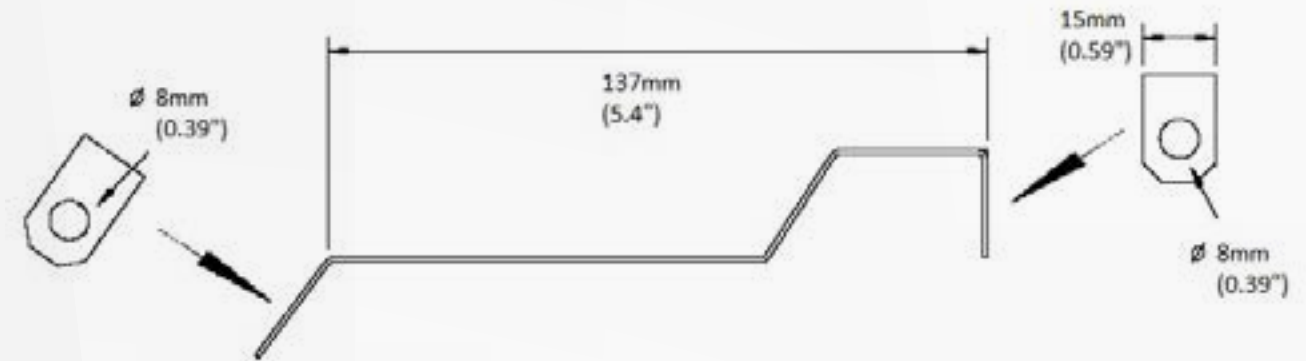
BOSCH
Invented for life

Washer interface kit

MIC-WKT-IR Washer Kit

Washer kit for MIC7000 camera models. Includes washer nozzle and mounting brackets for wall or 101.6 mm (4 in.) PCD base. Requires a third-party washer pump.

Commercial Type No.: MIC-WKT-IR
Product No.: F.01U.087.255





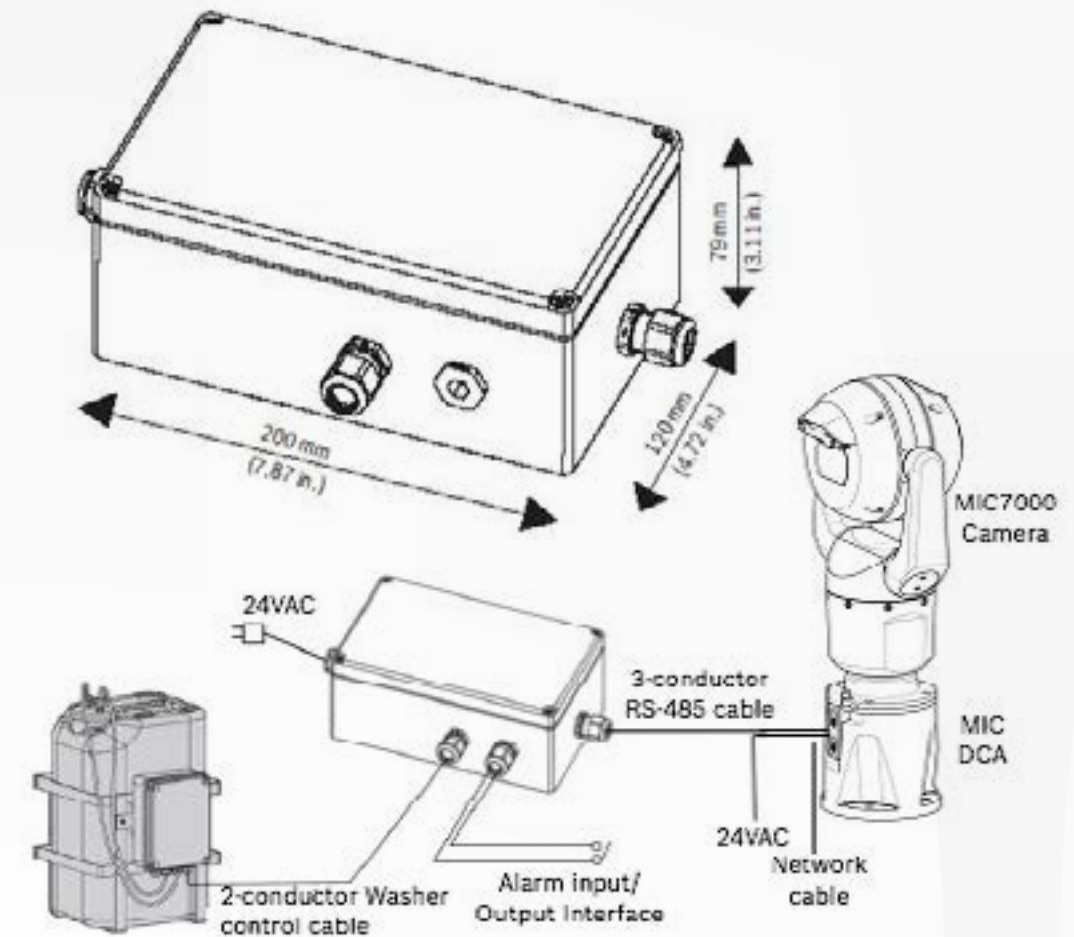
BOSCH
Invented for life

Alarm/washer Interface Box

MIC-ALM-WAS-24 Alarm/Washer Interface Unit for MIC cameras

Interface box for alarms and washer pump connections for MIC7000 cameras, 24 VAC. Impact-resistant polycarbonate enclosure, rated to IP67 and NEMA 4X, with four (4) watertight glands. Grey (RAL 7035).

Commercial Type No.: MIC-ALM-WAS-24
Product No.: F.01U.286.248





BOSCH
Invented for life

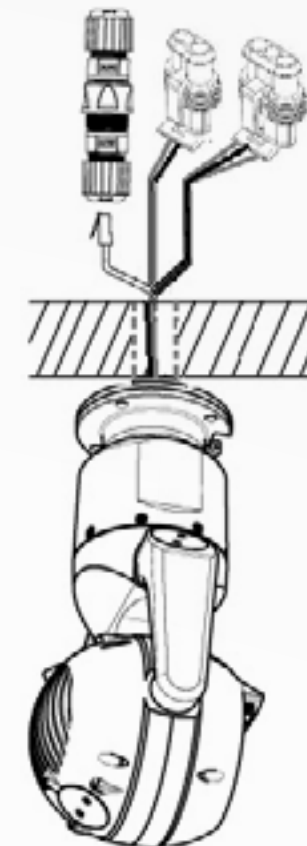


IP67 weatherproof KIT for MIC pigtail wires

MIC-IP67-5PK MIC7000 IP67 Connector Kit, 5Pack

This kit protects the connections of as many as 5 MIC7000 cameras against dust or moisture, to an ingress rating of IP67. Required for MIC7000 cameras mounted directly to a surface (instead of to a MIC-DCA or to a MIC wall mount).

Commercial Type No.: MIC-IP67-5PK
Product No.: F.01U.294.750





BOSCH

Invented for life



Software License for IP Cameras

MVS-FCOM-PRCL Software License for IP Cameras

Serial Protocol Software License (e-license) for IP Cameras

Commercial Type No.: MVS-FCOM-PRC

Product No.: F.01U.314.101

