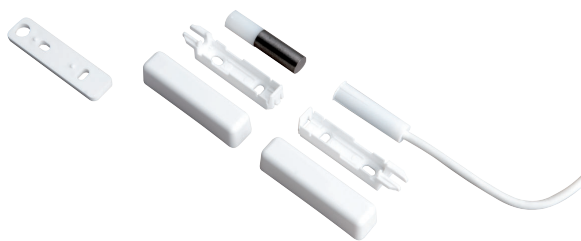


# MSA-LZ Surface-Mount Magnetic Contact

www.boschsecurity.com



**BOSCH**  
Invented for life



- ▶ Conventional surface-mount magnetic contact
- ▶ VdS class B
- ▶ Parallel or head-on surface mounting
- ▶ Conventional perimeter protection

Conventional magnetic contacts are used for opening surveillance of windows and doors.

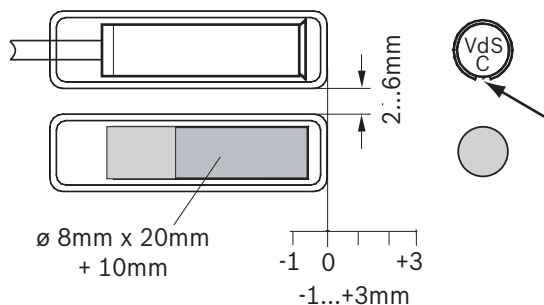
## Certifications and approvals

Region	Certification	
Germany	VdS	G 191568, B MS/MSA-LZ G 191568
Europe	CE	MSA-LZS

## Installation/configuration notes

### Installation notes

- Installation can be parallel or head-on.
- The AG 4 surface mounting housing makes it possible to install on ferromagnetic materials.



- 1 Contact
- 2 Magnet
- 3 Offset in the axial direction

## Parts included

Type	Quant.	Component
MSA-LZ	1	Surface-mount magnetic contact incl. 6 m cable and AG4 surface mounting housing with accessories

## Technical specifications

Type of installation	Surface mount, parallel or head-on
Contact	Normally open contact
Permissible contact load	$\leq 5\text{ Watt}$
Switching current	10 A to 100 mA
Switching voltage max.	$\leq 110\text{ V}_-$
Switch tolerance	$\geq 10^7$
Magnet	AlNiCo 500

Switch dimensions	43 x 12 x 12 mm
Magnet dimensions	Ø 8 mm x 30 mm
Parallel installation distance	≤ 15 mm
Temperature range	-25 °C to 70 °C
Connection cable	6 m, LiYY 4 x 0.14 mm
Protection category	IP68

### Ordering information

#### MSA-LZ Surface-Mount Magnetic Contact

For release monitoring of windows and doors, parallel or head-on surface mounting

Order number

---

#### Represented by:

##### Americas:

Bosch Security Systems, Inc.  
130 Perinton Parkway  
Fairport, New York, 14450, USA  
Phone: +1 800 289 0096  
Fax: +1 585 223 9180  
security.sales@us.bosch.com  
www.boschsecurity.us

##### Europe, Middle East, Africa:

Bosch Security Systems B.V.  
P.O. Box 80002  
5617 BA Eindhoven, The Netherlands  
Phone: + 31 40 2577 284  
Fax: +31 40 2577 330  
emea.securitysystems@bosch.com  
www.boschsecurity.com

##### Asia-Pacific:

Robert Bosch (SEA) Pte Ltd, Security Systems  
11 Bishan Street 21  
Singapore 573943  
Phone: +65 6571 2808  
Fax: +65 6571 2699  
apr.securitysystems@bosch.com  
www.boschsecurity.asia

##### China:

Bosch (Shanghai) Security Systems Ltd.  
203 Building, No. 333 Fuquan Road  
North IBP  
Changning District, Shanghai  
200335 China  
Phone +86 21 22181111  
Fax: +86 21 22182398  
www.boschsecurity.com.cn

##### America Latina:

Robert Bosch Ltda Security Systems Division  
Via Anhanguera, Km 98  
CEP 13065-900  
Campinas, Sao Paulo, Brazil  
Phone: +55 19 2103 2860  
Fax: +55 19 2103 2862  
latam.boschsecurity@bosch.com  
www.boschsecurity.com