

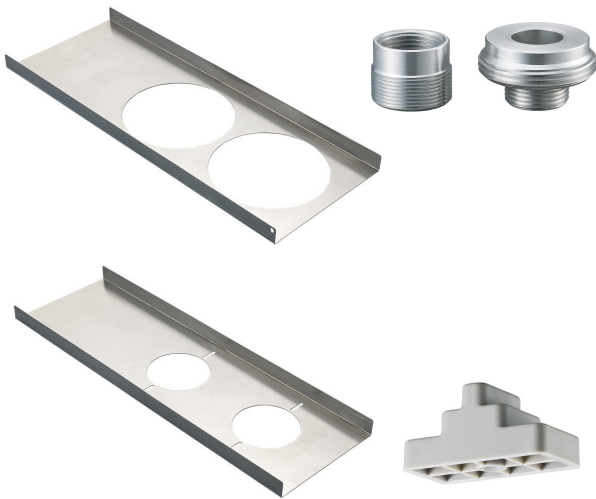
Mounts for PTZ and Fixed Dome Cameras

www.boschsecurity.com



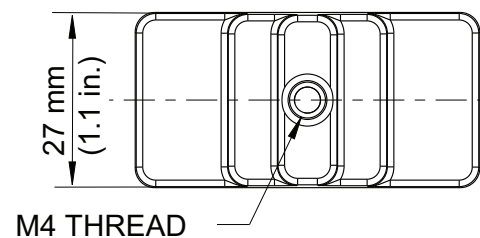
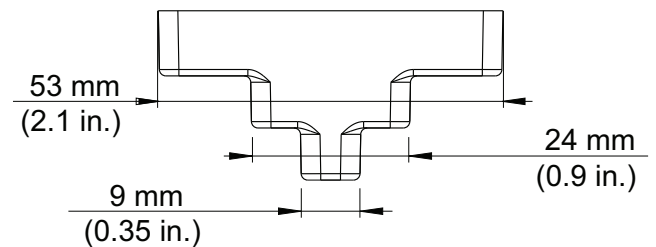
BOSCH

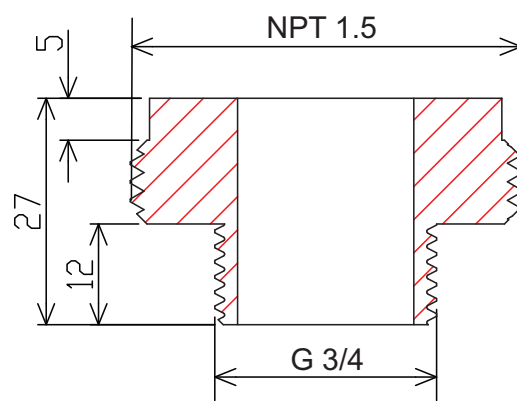
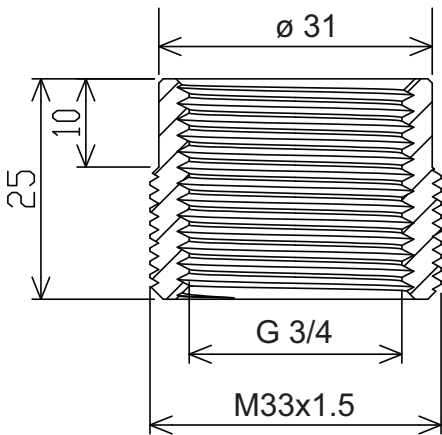
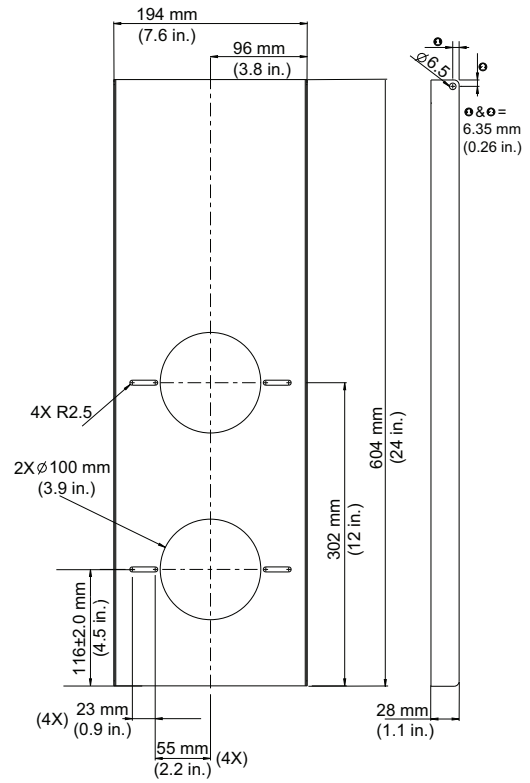
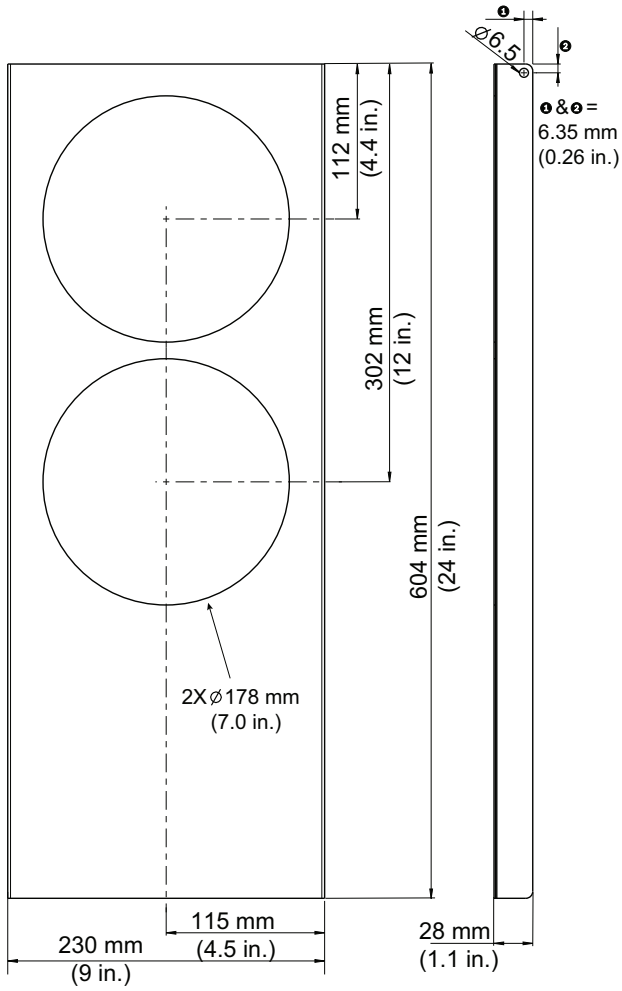
Invented for life



Bosch offers a variety of mounts for PTZ and fixed dome cameras for indoor ceiling installations. The MNT-ICP-ADC suspension ceiling support kit fits AUTODOME IP 4000 HD and AUTODOME IP 5000 HD in-ceiling cameras, as well as those in the VG5- series. The MNT-ICP-FDC suspension ceiling support kit fits various FLEXIDOME IP indoor cameras from the 2000, 4000, 5000, and 7000 families. This kit also includes the MNT-RIS-FDC and hardware. With the red iron steel ceiling support kit (MNT-RIS-FDC), installers can mount a FLEXIDOME camera directly onto red iron steel (2" or 4"), or mount a FLEXIDOME IP in-ceiling camera in a suspension ceiling (in conjunction with the suspension ceiling support kit for FLEXIDOME cameras). Adapters (NPT 1.5 to G 3/4, M33 to G 3/4) allow installation of a Bosch dome camera onto a third-party wall mount, which in the USA usually has an NPT 1.5 internal thread. Each kit/adaptor set is sold separately.

Installation/configuration notes





Parts included

Refer to the datasheets of the individual products.

Technical specifications

MNT-ICP-ADC

Dimensions	604 mm x 230 mm x 28 mm (24 in. x 9 in. x 1 in.)
Weight	0.294 kg (0.65 lb)
Construction Material	Aluminum
Standard Color / Finish	(Unpolished aluminum)

MNT-ICP-FDC

Dimensions	604 mm x 194 mm x 28 mm (24 in. x 7.6 in. x 1 in.)
Weight	0.410 kg (0.9 lb)
Construction Material	Aluminum
Standard Color / Finish	(Unpolished aluminum)

MNT-RIS-FDC

Dimensions	53 mm x 278 mm (2.1 in. x 1.1 in.)
Weight	0.055 kg (0.12 lb)
Construction Material	Plastic
Standard Color / Finish	Off-white

ADT-NONH-G3QM33

Dimensions	NPT 1.5 to G 3/4: 38 mm x 27 mm (1.5 in. x 1 in.) M33 to G 3/4: 38 mm x 25 mm (1.5 x 1 in.)
Weight	0.058 kg (0.13 lb) (for both pieces)
Construction Material	Aluminum
Standard Color / Finish	Aluminum

Ordering information

MNT-ICP-ADC Suspension Ceiling Support Kit for AUTODOME in-ceiling cameras

Suspension ceiling support kit for AUTODOME IP 4000/5000/7000 AND VG5-100/600 series in-ceiling cameras

Order number **MNT-ICP-ADC**

MNT-ICP-FDC Suspension Ceiling Support Kit for FLEXIDOME in-ceiling cameras

Suspension ceiling support kit for FLEXIDOME IP 2000/4000/5000/7000 (except RD series) and panoramic 5000/7000 series cameras

Order number **MNT-ICP-FDC**

MNT-RIS-FDC Red Iron Steel Ceiling Support Kit for FLEXIDOME cameras

Open web steel joist (red iron) ceiling support kit for all FLEXIDOME IP series cameras; designed for 2-inch and 4-inch joist

Order number **MNT-RIS-FDC**

ADT-NONH-G3QM33 Adapters (NPT 1.5 to G 3/4, M33 to G 3/4) for Third-party Mounts

1.5-inch NPT male to G3/4-inch and M33 male thread adapter; allows AUTODOME IP 4000 HD and 5000 HD mounting to third-party mounts with 1.5-inch NPT internal (female) threads.

Order number **ADT-NONH-G3QM33**

Represented by:

North America:
Bosch Security Systems, Inc.
130 Perinton Parkway
Fairport, New York, 14450, USA
Phone: +1 800 289 0096
Fax: +1 585 223 9180
security.sales@us.bosch.com
www.boschsecurity.us

Europe, Middle East, Africa:
Bosch Security Systems B.V.
P.O. Box 80002
5617 BA Eindhoven, The Netherlands
Phone: +31 40 2577 284
Fax: +31 40 2577 330
emea.securitysystems@bosch.com
www.boschsecurity.com

Asia-Pacific:
Robert Bosch (SEA) Pte Ltd, Security Systems
11 Bishan Street 21
Singapore 573943
Phone: +65 6571 2808
Fax: +65 6571 2699
apr.securitysystems@bosch.com
www.boschsecurity.asia

China:
Bosch (Shanghai) Security Systems Ltd.
203 Building, No. 333 Fuquan Road
North IBP
Changning District, Shanghai
200335 China
Phone +86 21 22181111
Fax: +86 21 22182398
www.boschsecurity.com.cn

Latin America and Caribbean:
Robert Bosch Ltda Security Systems Division
Via Anhanguera, Km 98
CEP 13065-900
Campinas, Sao Paulo, Brazil
Phone: +55 19 2103 2860
Fax: +55 19 2103 2862
latam.boschsecurity@bosch.com
www.boschsecurity.com