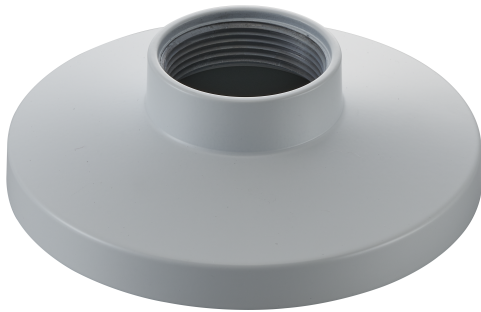


## NDA-3083-PIP Pendant interface plate FD 3100i



- ▶ Pendant interface plate for FLEXIDOME indoor 3100i, FLEXIDOME indoor 3100i IR and FLEXIDOME outdoor 3100i IR
- ▶ Modular design for fast and easy installation
- ▶ Weather resistant finish to maintain cosmetic appearance

This pendant interface plate is designed to enable easy installation of the FLEXIDOME 3100i cameras to Bosch modular pendant mounts or any third party mount with 1.5 inch NPT threads. The accessories are easy to install and can be combined to simplify installation in multiple locations while retaining the same look and feel.

### Functions

The NDA-3083-PIP is especially designed for the FLEXIDOME 3100i family cameras. It provides a safe and robust solution to mount the camera to:

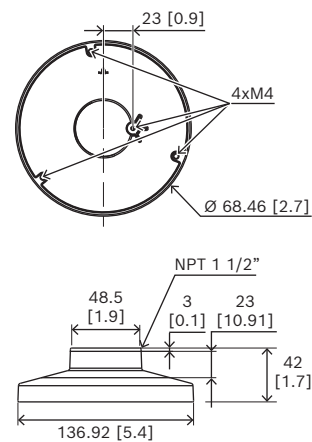
- NDA-U-WMT Pendant wall mount
- NDA-U-PMT Pendant pipe mount

### Regulatory information

#### Environmental

|           |               |
|-----------|---------------|
| Salt mist | IEC60068-2-52 |
| Vibration | IEC60068-2-6  |
| Shock     | IEC60068-2-27 |
| Impact    | IK10          |

### Installation/configuration notes



Dimensions in mm (inch)

### Parts included

| Quantity | Component                            |
|----------|--------------------------------------|
| 1        | NDA-3083-PIP Pendant interface plate |
| 4        | M4 x 12 screws                       |
| 1        | Quick installation guide             |

### Technical specifications

#### Mechanical

|             |                       |
|-------------|-----------------------|
| Color (RAL) | RAL 9003 Signal white |
|-------------|-----------------------|

|                         |                   |
|-------------------------|-------------------|
| Material                | Aluminum          |
| Thread type             | NPT1.5            |
| Dimensions (Ø x H) (mm) | 137 mm x 42 mm    |
| Dimensions (Ø x H) (in) | 5.39 in x 1.65 in |
| Weight (g)              | 183 g             |
| Weight (lb)             | 0.40 lb           |

### Ordering information

#### **NDA-3083-PIP Pendant interface plate FD 3100i**

Pendant interface plate for FLEXIDOME indoor 3100i, FLEXIDOME indoor 3100i IR and FLEXIDOME outdoor 3100i IR cameras

Order number **NDA-3083-PIP**

#### Represented by:

**Europe, Middle East, Africa:**  
Bosch Security Systems B.V.  
P.O. Box 80002  
5600 JB Eindhoven, The Netherlands

**Germany:**  
Bosch Sicherheitssysteme GmbH  
Robert-Bosch-Platz 1  
D-70839 Gerlingen

**North America:**  
Bosch Security Systems, LLC  
130 Perinton Parkway  
Fairport, New York, 14450, USA

**Asia-Pacific:**  
Robert Bosch (SEA) Pte Ltd, Security Systems  
11 Bishan Street 21  
Singapore 573943