

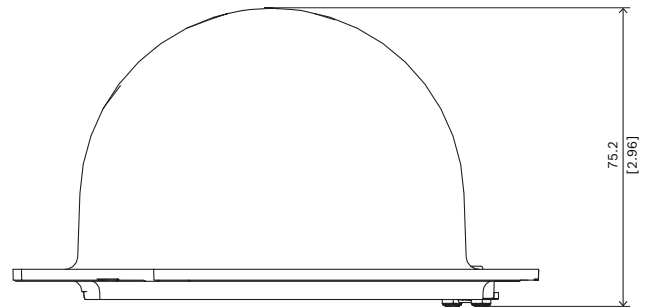
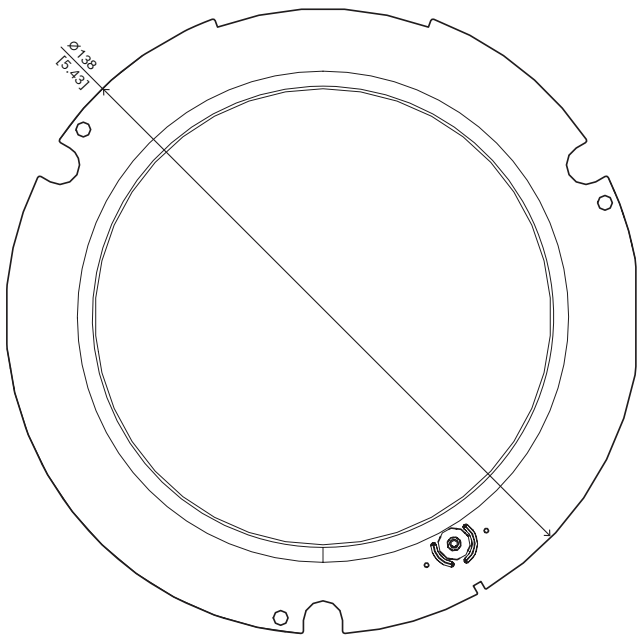
## NDA-5070-CBLI Bubble, clear for FLEXIDOME 5100i IR



► Applicable for FLEXIDOME indoor 5100 IR and FLEXIDOME outdoor 5100i IR

The clear replacement bubble is applicable for FLEXIDOME indoor 5100 IR and FLEXIDOME outdoor 5100i IR.

### Installation/configuration notes



Dimensions in mm (inch)

### Parts included

Quantity	Component
1	Clear replacement bubble
1	Quick installation guide

### Technical specifications

Mechanical	
Dimension (Ø x H) (mm)	138 mm x 75.20 mm
Dimension (Ø x H) (in)	5.43 in x 2.96 in
Weight (g)	120 g
Weight (lb)	0.26 lb
Bubble material	Polycarbonate

## Environmental

Impact protection (EN 50102)	IK10
------------------------------	------

## Ordering information

### **NDA-5070-CBLI Bubble, clear for FLEXIDOME 5100i IR**

Clear replacement bubble for  
FLEXIDOME indoor 5100i IR and  
FLEXIDOME outdoor 5100i IR

Order number **NDA-5070-CBLI | F.01U.399.127**

#### Represented by:

**Europe, Middle East, Africa:**  
Bosch Security Systems B.V.  
P.O. Box 80002  
5600 JB Eindhoven, The Netherlands  
Phone: + 31 40 2577 284  
[www.boschsecurity.com/xc/en/contact/](http://www.boschsecurity.com/xc/en/contact/)  
[www.boschsecurity.com](http://www.boschsecurity.com)

**Germany:**  
Bosch Sicherheitssysteme GmbH  
Robert-Bosch-Ring 5  
85630 Grasbrunn  
Tel.: +49 (0)89 6290 0  
Fax: +49 (0)89 6290 1020  
[de.securitysystems@bosch.com](mailto:de.securitysystems@bosch.com)  
[www.boschsecurity.com](http://www.boschsecurity.com)

**North America:**  
Bosch Security Systems, LLC  
130 Perinton Parkway  
Fairport, New York, 14450, USA  
Phone: +1 800 289 0096  
Fax: +1 585 223 9180  
[onlinehelp@us.bosch.com](mailto:onlinehelp@us.bosch.com)  
[www.boschsecurity.com](http://www.boschsecurity.com)

**Asia-Pacific:**  
Robert Bosch (SEA) Pte Ltd, Security Systems  
11 Bishan Street 21  
Singapore 573943  
Phone: +65 6571 2808  
Fax: +65 6571 2699  
[www.boschsecurity.com/xc/en/contact/](http://www.boschsecurity.com/xc/en/contact/)  
[www.boschsecurity.com](http://www.boschsecurity.com)