

NDA-5080-PC Paintable cover, F360E, 4pcs



- ▶ Easy installation
- ▶ Weather resistant finish to maintain cosmetic appearance

Paintable cover accessories are used to customize a device's appearance and tailor it to its surroundings.

Functions

Customization

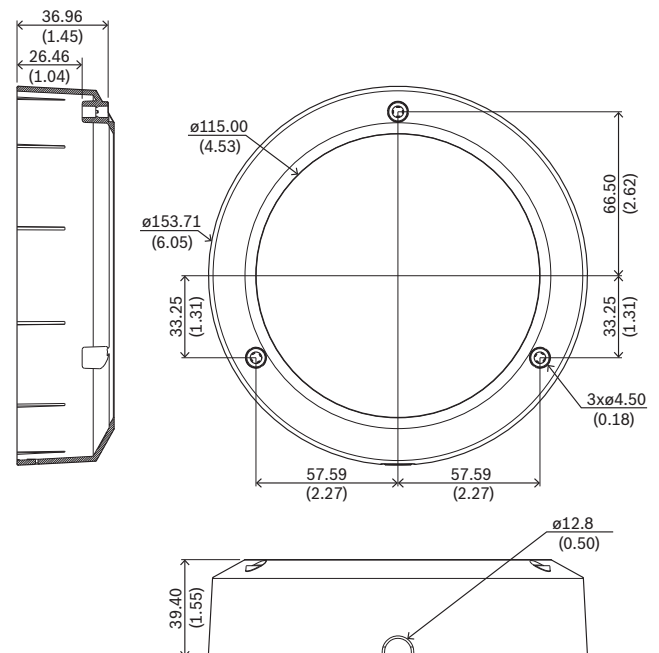
This paintable cover features a white finish allowing it to be easily repainted in the desired color to customize the device's appearance.

Certifications and approvals

Environmental

Vibration	IEC60068-2-6
Shock	IEC60068-2-27

Installation/configuration notes



Dimensions in mm (inch)

Parts included

Quantity	Component
4	Paintable cover
1	QIG

Technical specifications

Mechanical

Dimension (Ø x H) (mm)	153.71 mm x 39.40 mm
Dimension (Ø x H) (in)	6.05 in x 1.55 in
Weight (g)	62 g
Weight (lb)	0.14 lb
Material	Plastic
Color in RAL	RAL 9017 Traffic black

Ordering information

NDA-5080-PC Paintable cover, F360E, 4pcs

Paintable cover for FLEXIDOME panoramic 5100i IR

Order number **NDA-5080-PC | F.01U.394.004**

Represented by:

Europe, Middle East, Africa:
 Bosch Security Systems B.V.
 P.O. Box 80002
 5600 JB Eindhoven, The Netherlands
 Phone: + 31 40 2577 284
 emea.securitysystems@bosch.com
 emea.boschsecurity.com

Germany:
 Bosch Sicherheitssysteme GmbH
 Robert-Bosch-Ring 5
 85630 Grasbrunn
 Germany
 www.boschsecurity.com

North America:
 Bosch Security Systems, LLC
 130 Perinton Parkway
 Fairport, New York, 14450, USA
 Phone: +1 800 289 0096
 Fax: +1 585 223 9180
 onlinehelp@us.bosch.com
 www.boschsecurity.us

Asia-Pacific:
 Robert Bosch (SEA) Pte Ltd, Security Systems
 11 Bishan Street 21
 Singapore 573943
 Phone: +65 6571 2808
 Fax: +65 6571 2699
 apr.securitysystems@bosch.com
 www.boschsecurity.asia