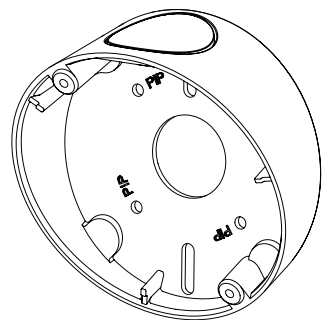
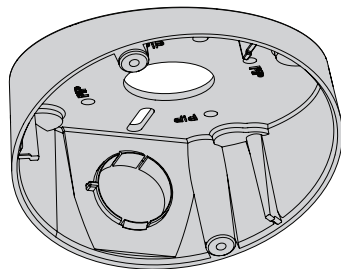


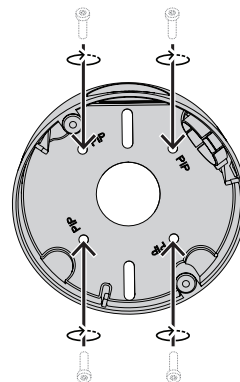
1 |



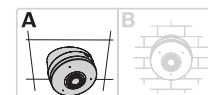
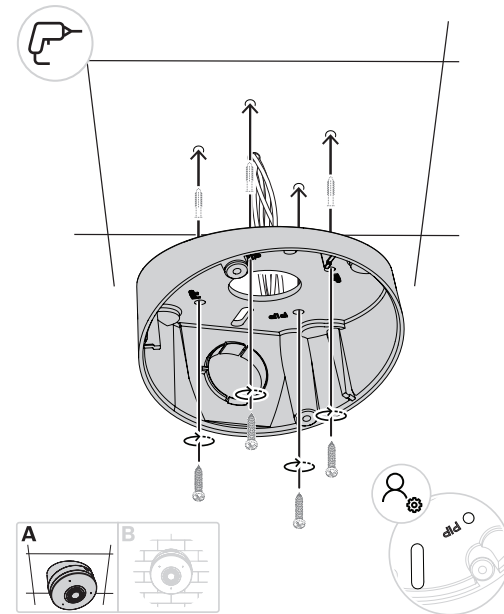
2 |



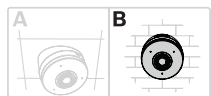
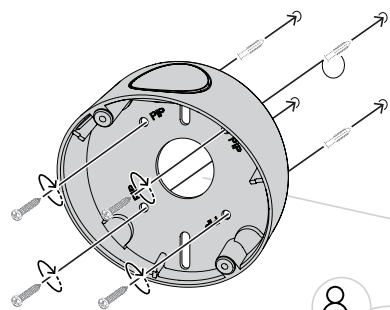
3 |



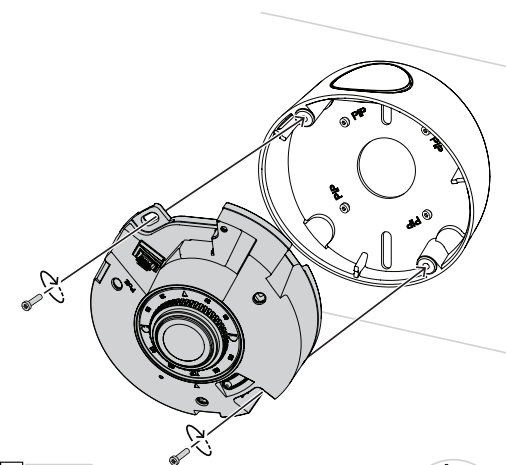
4 |



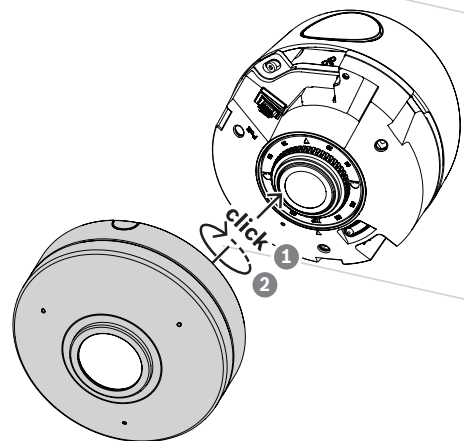
5 |



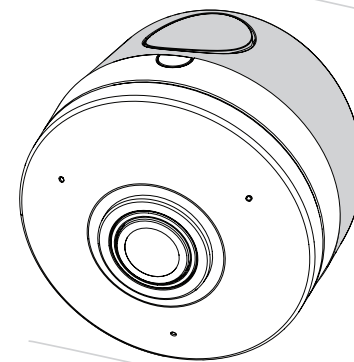
6 |



7 |

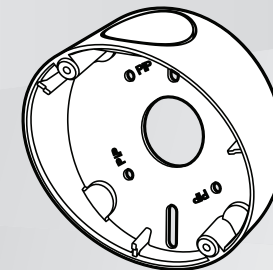


8 |



Tilt mount 20°, 110mm

NDA-5081-TM



en Quick installation guide

Bosch Security Systems B.V.
Torenallee 49
5617 BA Eindhoven
Netherlands
www.boschsecurity.com
© Bosch Security Systems B.V., 2021