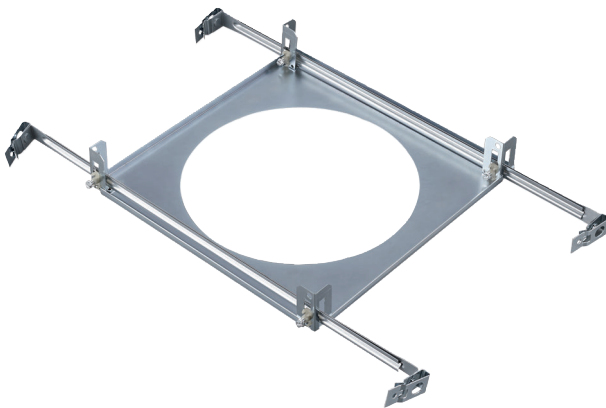


NDA-8000-SP Soft ceiling support for in-ceiling

www.boschsecurity.com



BOSCH
Invented for life



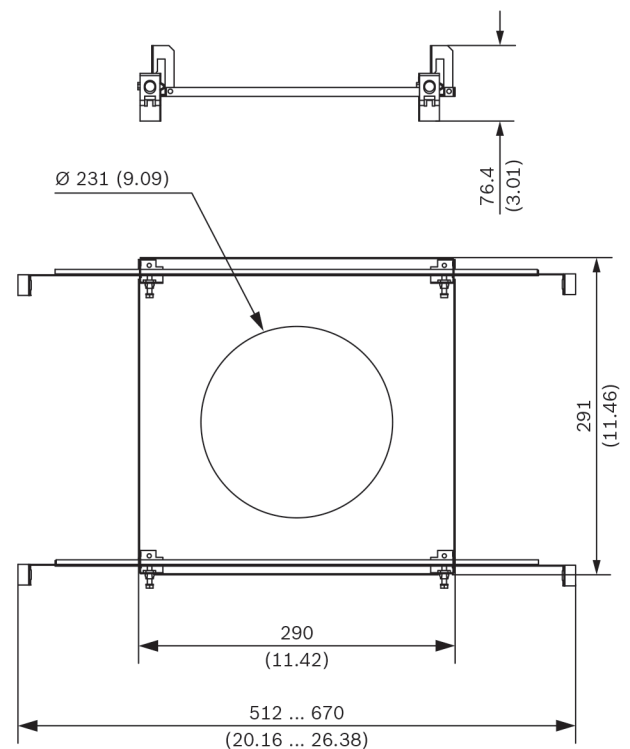
- ▶ Corrosion-resistant finish
- ▶ Easy installation

Parts included

Quantity	Component
1	Soft ceiling support kit
1	Quick Installation Guide

Technical specifications

Mechanical	
Dimensions	See drawing
Weight	721 g (1.59 lb)
Construction Material	Steel with zinc plating
Mounting	In-ceiling



Dimensions in mm (inch)

Ordering information

NDA-8000-SP Soft ceiling support for in-ceiling

Soft ceiling support for in-ceiling mount kit for
FLEXIDOME IP 8000i.

Order number **NDA-8000-SP**

Represented by:

Europe, Middle East, Africa:
Bosch Security Systems B.V.
P.O. Box 80002
5600 JB Eindhoven, The Netherlands
Phone: + 31 40 2577 284
emea.securitysystems@bosch.com
emea.boschsecurity.com

Germany:
Bosch Sicherheitssysteme GmbH
Robert-Bosch-Ring 5
85630 Grasbrunn
Germany
www.boschsecurity.com

North America:
Bosch Security Systems, Inc.
130 Perinton Parkway
Fairport, New York, 14450, USA
Phone: +1 800 289 0096
Fax: +1 585 223 9180
onlinehelp@us.bosch.com
www.boschsecurity.us

Asia-Pacific:
Robert Bosch (SEA) Pte Ltd, Security Systems
11 Bishan Street 21
Singapore 573943
Phone: +65 6571 2808
Fax: +65 6571 2699
apr.securitysystems@bosch.com
www.boschsecurity.asia