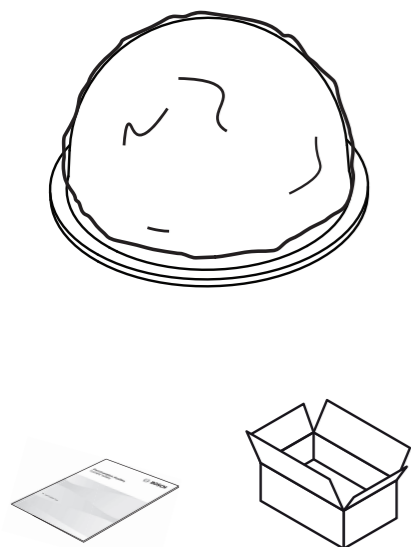
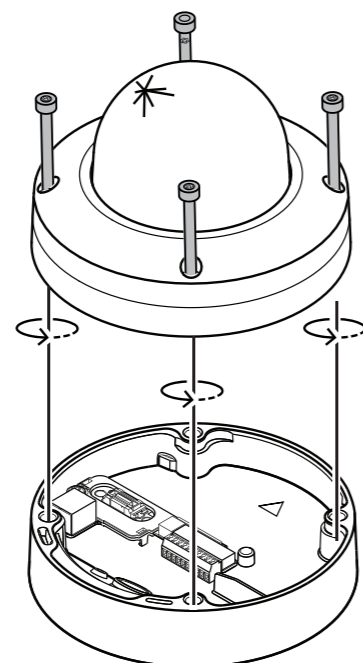


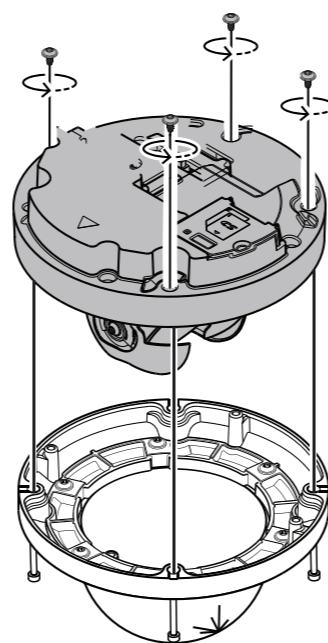
1 |



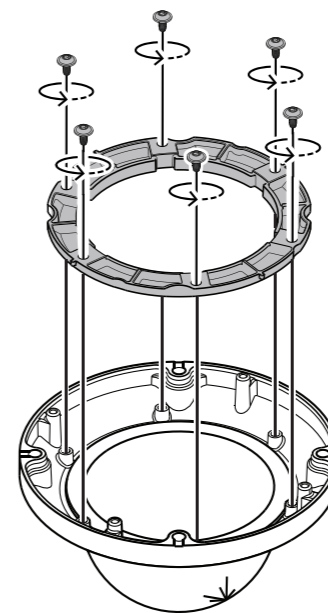
2 |



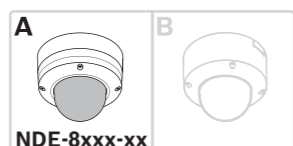
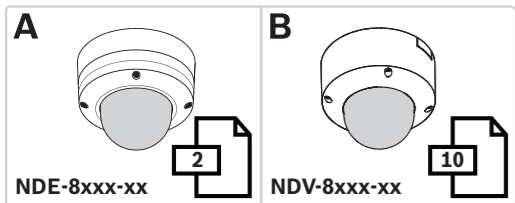
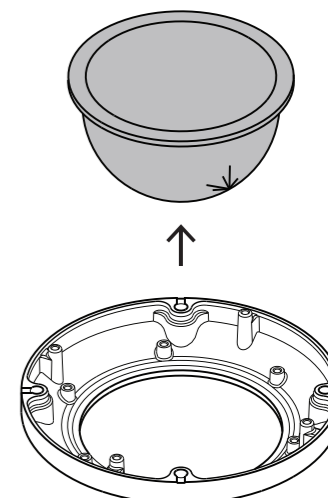
3 |



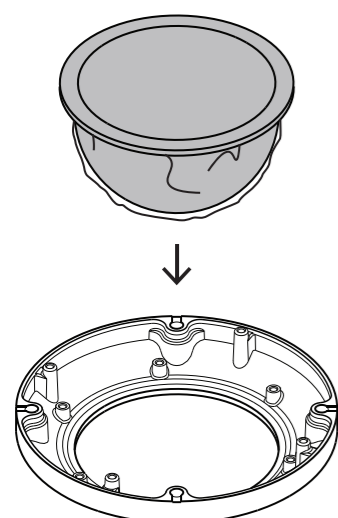
4 |



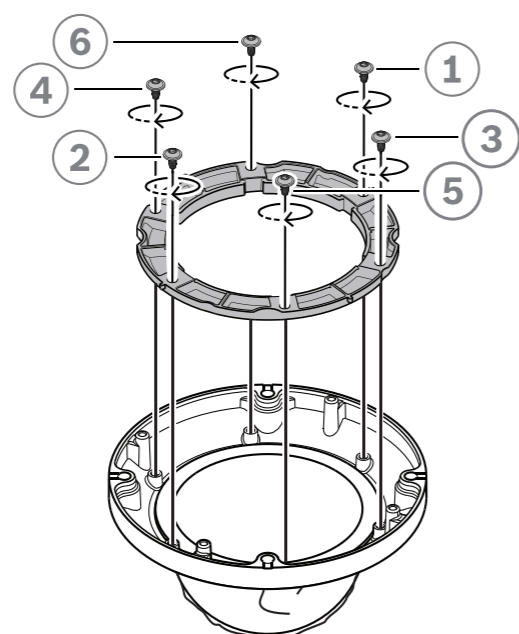
5 |



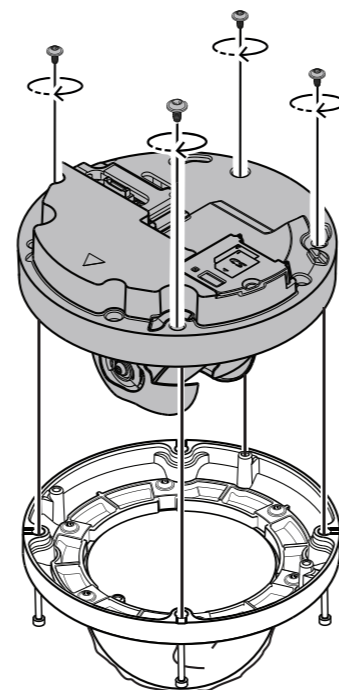
6 |



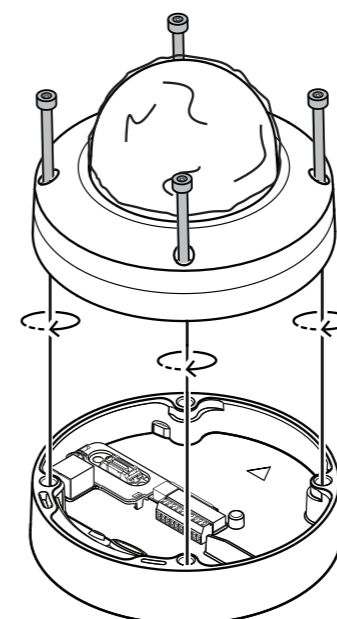
7 |



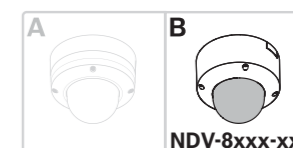
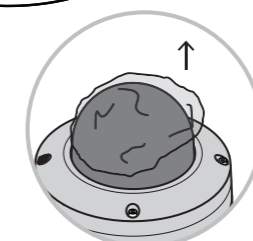
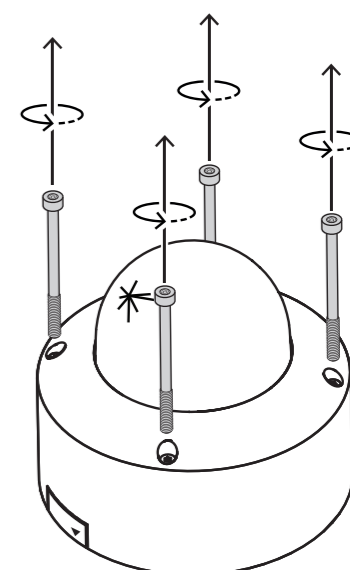
8 |



9 |



10 |



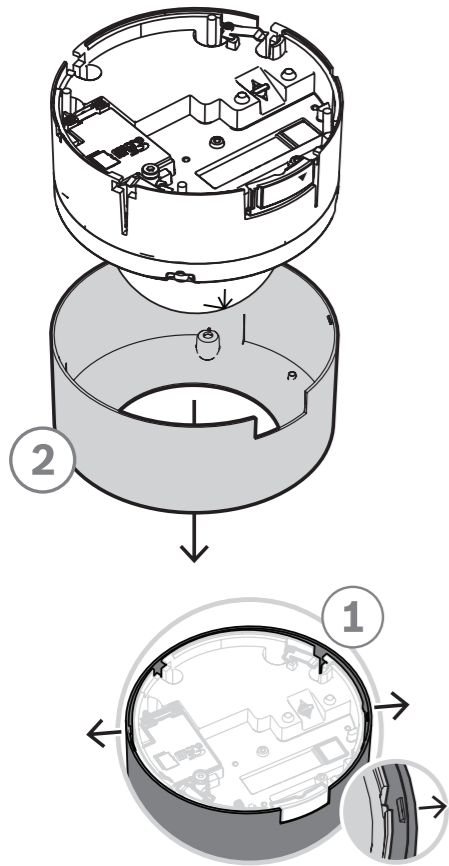
Clear/Tinted replacement bubble  
NDA-8000-CBL | NDA-8000-TBL

en Quick installation guide

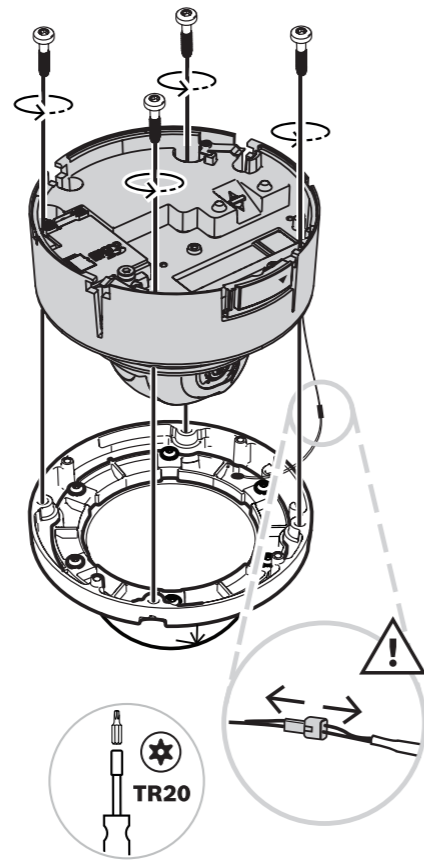
**Bosch Security Systems B.V.**  
Torenallee 49  
5617 BA Eindhoven  
Netherlands  
[www.boschsecurity.com](http://www.boschsecurity.com)  
© Bosch Security Systems B.V., 2022

Building solutions for a better life.

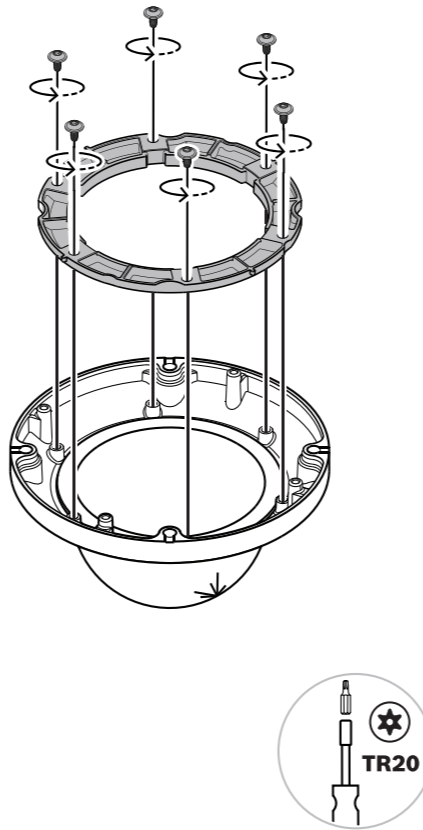
11 |



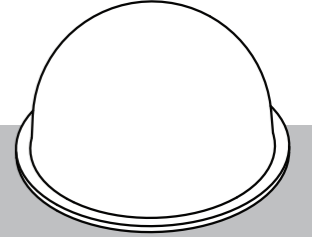
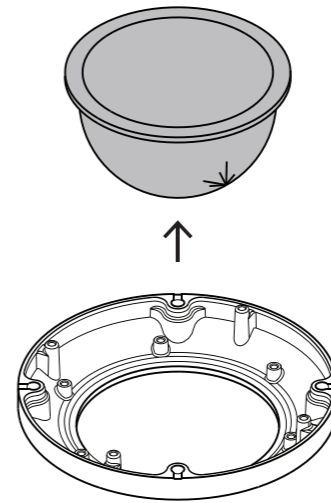
12 |



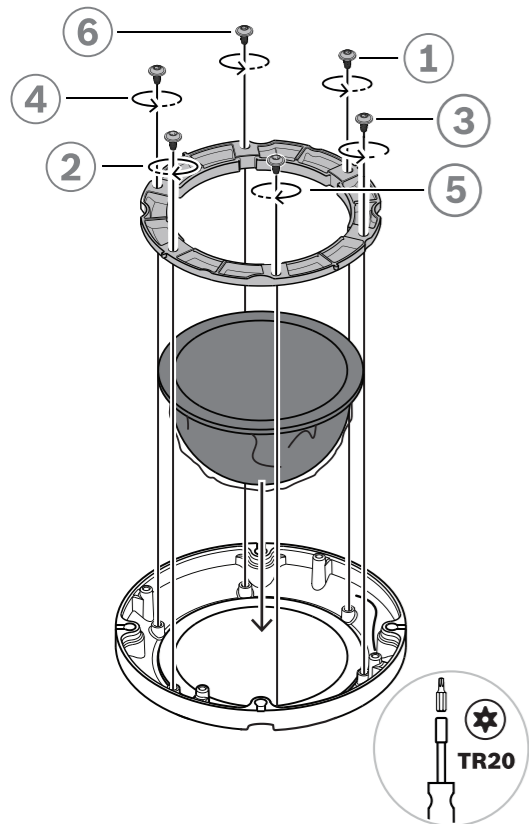
13 |



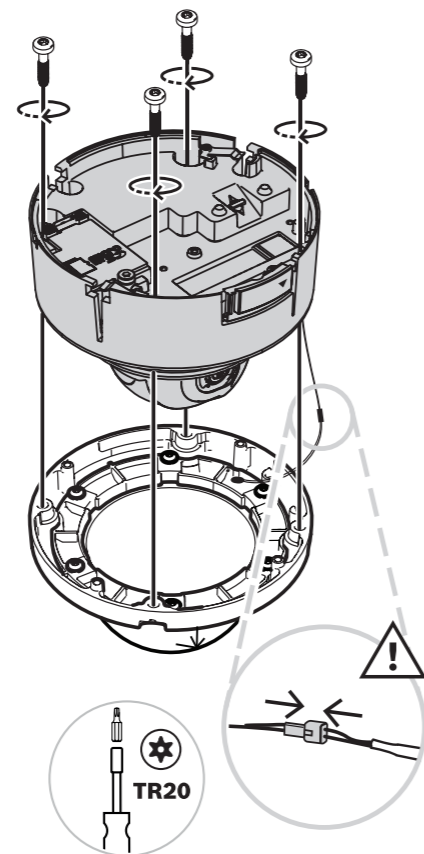
14 |



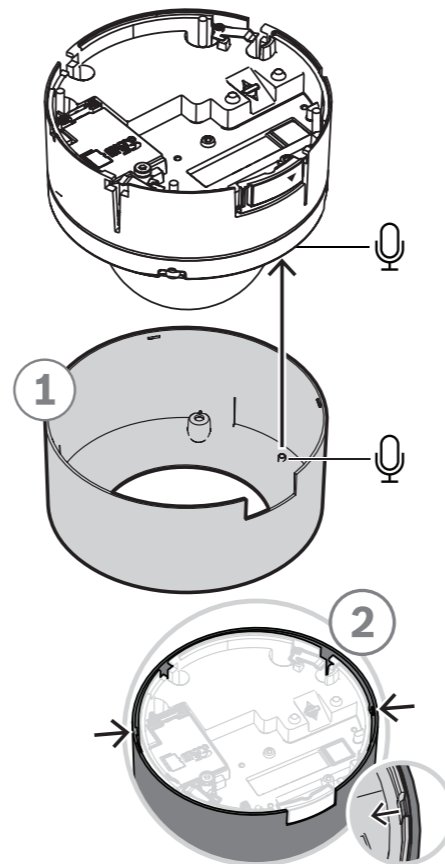
15 |



16 |



17 |



18 |

