

# In-ceiling mount

NDA-FMT-DOME



**BOSCH**

en Installation manual



---

## Table of contents

<b>1</b>	<b>Safety</b>	<b>4</b>
1.1	Safety message explanation	4
<b>2</b>	<b>Installation Overview</b>	<b>5</b>
<b>3</b>	<b>Installing a Recessed Mount</b>	<b>6</b>
3.1	Overview	6
3.2	Installing the Recessed Mount	6
3.3	Installing the Camera to the Recess Mount	10
<b>4</b>	<b>Technical data</b>	<b>11</b>

---

# 1 Safety

Before installing, please read this manual carefully.

## 1.1 Safety message explanation

---

**Caution!**

Indicates a hazardous situation which, if not avoided, could result in minor or moderate injury.

---

**Notice!**

Indicates a situation which, if not avoided, could result in damage to the equipment or environment, or data loss.

---

**Caution!**

Installation should only be performed by qualified service personnel in accordance with the National Electrical Code (NEC 800 CEC Section 60) or applicable local codes.

---

## 2 Installation Overview

This equipment should be unpacked and handled with care. If an item appears to have been damaged in shipment, notify the shipper immediately.

Verify that all parts are included. If any items are missing, notify your Bosch Security Systems Sales or Customer Service Representative.

The original packaging is the safest container in which to transport the unit and can be used if returning the unit for service.

The following parts are included:

Quantity	Part
1	In-ceiling mount: NDA-FMT-DOME
1	White trim ring A (inner diameter: 102 mm) with two M3 captive screws
1	White trim ring B (inner diameter: 98 mm) with two M3 captive screws
4	Four M4 x 6 mm screws
4	Four M4 x 15 mm screws
1	Security Torx T-10 L wrench
1	Installation manual (this booklet)

## 3 Installing a Recessed Mount

### 3.1 Overview

The mount is supplied with two different trim rings and different tooling hole positions on the sides of the recess mount. Use the trim ring and hole position best suited for your camera.

### 3.2 Installing the Recessed Mount

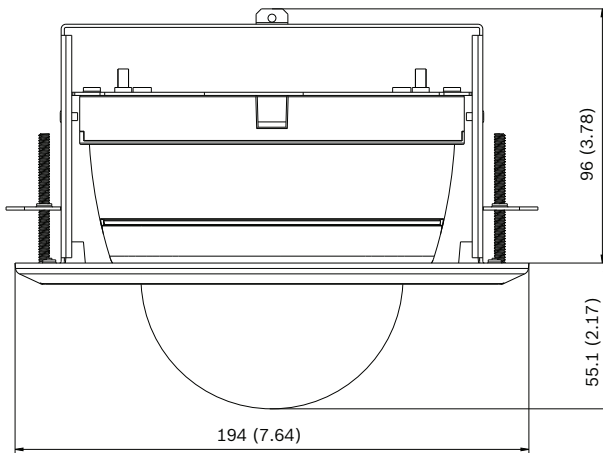


#### Notice!

The recessed mounting bracket is provided with an additional safety tether point. To prevent injury, attach a safety wire from a secure anchor point above the ceiling to this tether point.

To mount to a recess mount, do the following:

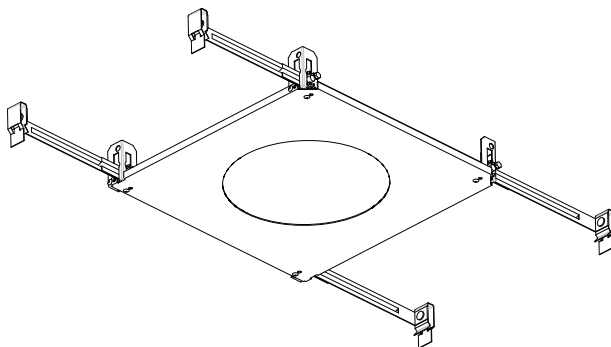
1. Determine a secure location for the recessed mount.



**Figure 3.1: Recess Mount Dimensions**

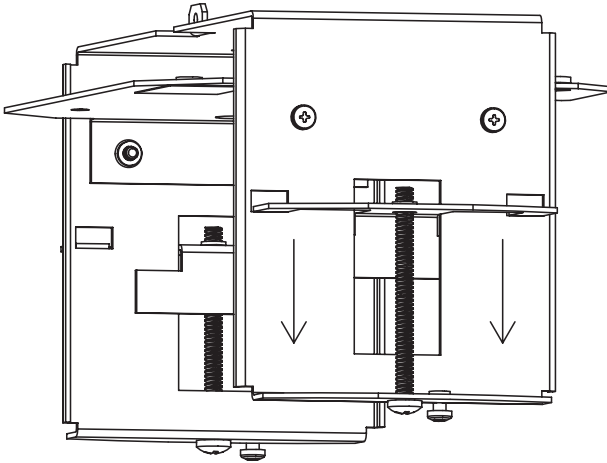
2. Drill or cut a 7 in. hole with a tolerance of  $\pm 1/8$  in. (177.8  $\pm 2.2$  mm).

- Optional: if installing the camera to a suspended ceiling tile or any other surface where additional support is required, the VGA-IC-SP mounting kit (sold separately) is recommended. See the instruction book supplied with the mounting bracket for installation instructions.

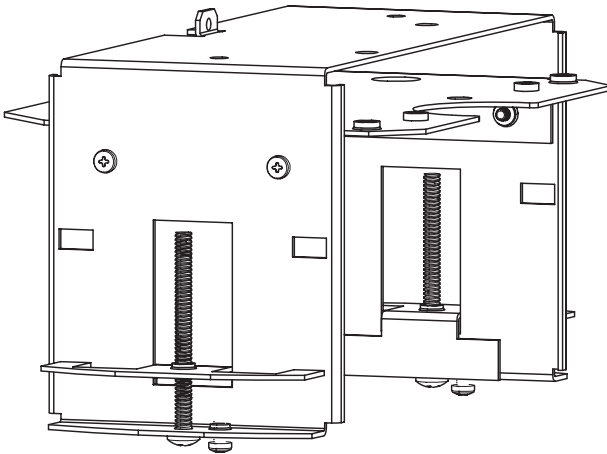


**Figure 3.2: Mounting bracket**

- Ensure that the clamping plates are angled inward by pushing up and into the two slots.
- Insert mount through the hole and into the ceiling. Slide clamps out and down so that the drywall is clamped in between the clamps and the bracket flange, 41.7 mm (1.64 in.) maximum ceiling thickness and 9.7 mm (0.38 in.) minimum ceiling thickness).



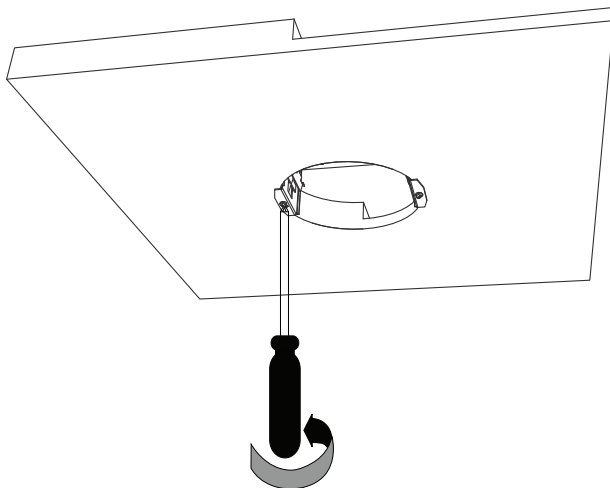
**Figure 3.3: Attach Recess Mount to Ceiling**



**Figure 3.4: Clamp Recess Mount**

6. Tighten both clamps to the ceiling using supplied screws and a #2 Phillips screwdriver.





**Figure 3.5: Tighten Mounting Clamps**

**Notice!**



Over tightening the ceiling clamps can damage the clamp or ceiling. Only tighten the clamp until it contacts the ceiling and you start to feel some resistance. If using a power screwdriver, set the torque level to the lowest setting.

---

### 3.3 Installing the Camera to the Recess Mount

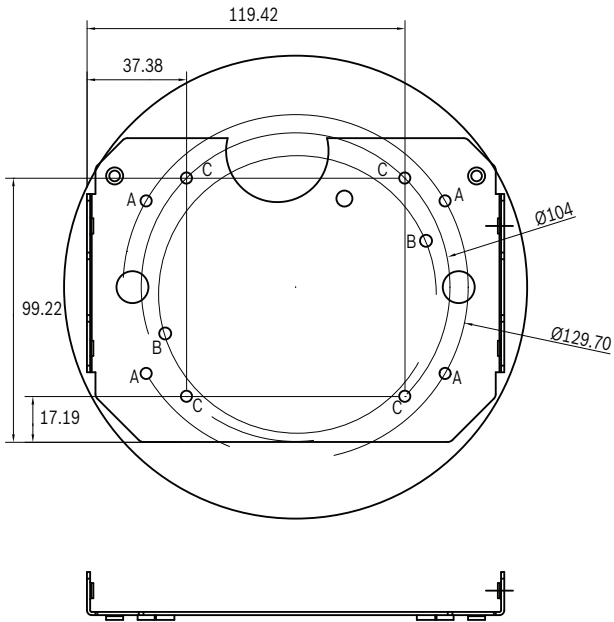
To install the camera to the recess mount, follow these steps:

**Caution!**

All wires for installation applications must be routed through a grounded conduit.

- 
1. Route wires through the crescent shaped cut-out on the side of mounting plate.
  2. Connect the cables according to the instructions in the installation guide.
  3. Remove the outer housing from the camera (use the wrench supplied with the camera).
  4. Attach the camera base to the recessed mount using the M4 x 15 mm mounting screws. Ensure that the cable is aligned with the cutout in the recess mount.
  5. Reattach the camera the outer housing.
  6. Align the mounting screws of the trim ring with the mounting holes in the recess mount.
  7. Use the supplied T-10 Torx wrench to secure the trim ring's safety locking screws to the mounting bracket.

## 4 Technical data







**Bosch Security Systems B.V.**

Torenallee 49  
5617 BA Eindhoven  
The Netherlands

**[www.boschsecurity.com](http://www.boschsecurity.com)**

© Bosch Security Systems B.V., 2014