

NDA-U-PMTG Pendant pipe mount, gang box



The modular camera mounts & accessories are a family of mounts, mounting adapters, pendant interface plates and surveillance cabinets which can be used with a wide range of Bosch cameras. The accessories are easy to install and can be combined to simplify installation in multiple locations while retaining the same look and feel.

Functions

Pendant pipe mount

The pendant pipe mount allows multiple installation scenarios of dome cameras, including installation in ceilings or onto electrical box, buried in the ceiling used as a junction box. With the replacement of the original back plate with a double gang box adapter plate, the mount allows the installation onto double gang box as an option (compatible with fixed dome cameras only). For high ceilings, the length can be extended by using an extension pipe. The mount supports easy cable management or can be combined with additional surface mount box for conduit connections.

Universal accessory combinations

It provides a safe and robust solution to mount dome cameras directly to a ceiling or it can be used in combination with:

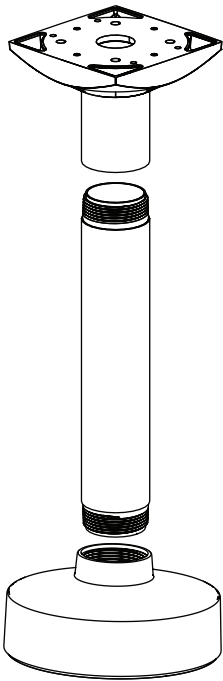
- NDA-U-PSMB Pendant wall/ceiling mount SMB
- NDA-U-PA0/1/2 Surveillance cabinet
- NDA-U-WMP Wall mount plate

- ▶ Compatible with double gang box
- ▶ Modular design for fast and easy installation
- ▶ One accessory line for multiple camera families from Bosch
- ▶ Weather resistant finish to maintain cosmetic appearance

Regulatory information

Environmental	
Salt mist	IEC60068-2-52
Vibration	NEMA TS2
Shock	IEC60068-2-27
Impact	IK10

Installation/configuration notes



Parts included

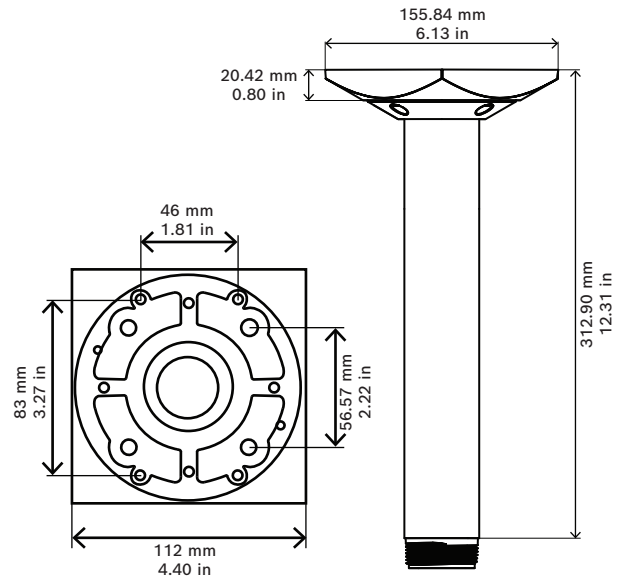
Quantity	Component
1	Pipe mount
4	M5 x 16 mm pan head Torx screw with Zinc coating
1	T25 Torx key
1	Thread seal tape: PTFE tape
1	Quick Installation Guide

Technical specifications

Mechanical	
Dimensions (with mounting flange)	Φ 101.5 mm (4 in.), L = 334 mm (13.2 in.)
Weight	689 g (1.52 lb)
Standard Color	White (RAL 9003)

Mechanical

Construction Material	Aluminum alloy
-----------------------	----------------



Dimensions in mm (inch)

Ordering information

NDA-U-PMTG Pendant pipe mount, gang box

Universal pipe mount, compatible with gang box installation for fixed dome cameras only, white
Order number **NDA-U-PMTG | F.01U.358.359**

Accessories

NDA-U-PMTE Pendant pipe extension, 20" (50cm)

Extension for universal pipe mount, 50 cm, white
Order number **NDA-U-PMTE | F.01U.324.941**

NDA-U-PSMB Pendant wall/ceiling mount SMB

Surface mount box (SMB) for wall mount or pipe mount.
Order number **NDA-U-PSMB | F.01U.324.942**

NDA-5030-PIP Pendant interface plate NDE-4/5000

Pendant interface plate for outdoor FLEXIDOME 4000i / 5000i.
Order number **NDA-5030-PIP | F.01U.324.951**

NDA-5031-PIP Pendant interface plate NDI-4/5000

Pendant interface plate for indoor FLEXIDOME IP 4000i / 5000i.
Order number **NDA-5031-PIP | F.01U.329.708**

NDA-7010-PIP Pendant interface plate for NIN-70112

Pendant interface plate for FLEXIDOME IP panoramic 7000.
Order number **NDA-7010-PIP | F.01U.325.039**

NDA-8000-PIP Pendant interface plate, indoor

Pendant interface plate for FLEXIDOME IP 8000i and FLEXIDOME IP panoramic 6000/7000 outdoor.
Order number **NDA-8000-PIP | F.01U.324.938**

NDA-8000-PIPW Pendant interface plate, outdoor

Pendant interface plate including weather protector for FLEXIDOME IP 8000i and FLEXIDOME IP panoramic 6000/7000 outdoor.

Order number **NDA-8000-PIPW | F.01U.324.967**

NDA-U-PA0 Surveillance cabinet 24VAC

Surveillance cabinet, 24 VAC input, 24 VAC output, IP66

Order number **NDA-U-PA0 | F.01U.324.947**

NDA-U-PA1 Surveillance cabinet 120VAC

Surveillance cabinet, 100 - 120 VAC 50/60 Hz input, 24 VAC output, IP66

Order number **NDA-U-PA1 | F.01U.324.948**

NDA-U-PA2 Surveillance cabinet 230VAC

Surveillance cabinet, 230 VAC input, 24 VAC output, IP66

Order number **NDA-U-PA2 | F.01U.324.949**

NDA-U-WMP Wall mount plate

Back plate for universal wall mount, corner mount and pole mount, white, IP66

Order number **NDA-U-WMP | F.01U.324.950**

Represented by:**Europe, Middle East, Africa:**

Bosch Security Systems B.V.
P.O. Box 80002
5600 JB Eindhoven, The Netherlands
Phone: + 31 40 2577 284
emea.securitysystems@bosch.com
emea.boschsecurity.com

Germany:

Bosch Sicherheitssysteme GmbH
Robert-Bosch-Ring 5
85630 Grasbrunn
Germany
www.boschsecurity.com

North America:

Bosch Security Systems, LLC
130 Perinton Parkway
Fairport, New York, 14450, USA
Phone: +1 800 289 0096
Fax: +1 585 223 9180
onlinehelp@us.bosch.com
www.boschsecurity.us

Asia-Pacific:

Robert Bosch (SEA) Pte Ltd, Security Systems
11 Bishan Street 21
Singapore 573943
Phone: +65 6571 2808
Fax: +65 6571 2699
apr.securitysystems@bosch.com
www.boschsecurity.asia