

NDE-8703-RXT Fixed dome 4MP HDR X 12-38mm PTRZ IP67

FLEXIDOME 8100i – X series



- ▶ Remote configuration and commissioning. Pan, Tilt, Roll and Zoom (PTRZ) to remotely set the camera to the required field of view, without having to touch the camera or lens
- ▶ Starlight X technology with 1/1.8" 4.1MP sensor for next level low-light performance with maximum detail
- ▶ HDR X - High Dynamic Range to see every detail in both bright and dark areas of the scene without HDR motion blur and artefacts
- ▶ IVA Pro brings highly reliable deep-learning based detection of persons and vehicles to scenes ranging from sterile to crowded and congested zones
- ▶ Electronic image stabilization (EIS) measures the frequency and amplitude of the device's vibrations to offset their impact on the image

The FLEXIDOME 8100i 4 MP – X series camera has a 1/1.8" sensor, starlight X and HDR X technology at 4 MP resolution.

Starlight X technology provides extreme low-light sensitivity ensuring highly detailed images even in the most challenging situations. HDR X enables the camera to capture video across different light levels and without motion blur and artefacts on moving objects.

The camera's remote commissioning functionality ensures installation and commissioning in the minimum amount of time. Using a PC or a mobile device with the Project Assistant app, you can pan, tilt, roll and zoom (PTRZ) and point the camera to the required field of view with a single click, without ever having to touch the camera or lens.

The latest CPP14 platform provides powerful processing capabilities and built-in neural processing engine to enable deep learning based IVA Pro video analytics, bringing highly reliable detection of persons and vehicles, even in crowded scenes.

The extreme rugged design is suited for diverse applications in sectors like government, transportation, city and traffic surveillance and education.

Functions

Starlight X - Next level starlight performance

Starlight X technology combines the latest high performance, large pixel sensors, optics, improved image processing and noise suppression, resulting in a 70% improved sensitivity compared to the standard starlight camera.

HDR X - High Dynamic Range

HDR X technology combines unique sensor functionality and advanced algorithms. It captures high quality video of moving objects in scenes with a large dynamic range. It also allows HDR imaging at lower light levels in which traditional HDR technologies are non-functional.

This is possible because the HDR X - Motion optimized mode takes two different readouts from one exposure to capture details in both the highlights and shadows of the scene, instead of blending multiple exposures like standard HDR technologies. Blending multiple exposures reduces sharpness and creates unwanted imaging artefacts on moving objects. HDR X resolves these issues, providing a crisp image with improved dynamic range.

In case an even larger dynamic range is required, HDR X - Optimized DR or HDR X - Extreme DR will further increase performance to an absolute maximum by adding another fast exposure. This combines the benefits from HDR X - Motion optimized and traditional HDR.

Intelligent Video Analytics Pro (IVA Pro)

The camera comes with IVA Pro Buildings, IVA Pro Perimeter and IVA Pro Privacy pre-installed. Other options can be licensed to optimize the camera analytics for enhanced surveillance capabilities tailored to the application.

The advanced analytics brings highly reliable deep-learning-based detection and tracking of persons and vehicles to scenes ranging from sterile zones to crowded and congested areas. Resilient against false triggers caused by challenging environmental conditions such as rain, wind-induced movements (such as trees), snow, hail, water reflections, shadows, and insects, the camera ensures accurate and reliable object detection, tracking, and classification. A smart set of alarm and counter rules ensures that you are promptly alerted when predefined alarms are triggered.

Configuration effort is made easy with the camera already classifying objects out of the box. With these advanced features, the camera provides comprehensive security coverage across a wide range of environments and scenarios.

Intelligent Video Analytics Pro (IVA Pro) - optional licenses

With the introduction of IVA Pro Appearance, users can conduct forensic searches based on distinct characteristics, such as color of clothing, bags, hats, or other features, enabling a more precise search of individuals. Furthermore, the integration of IVA Pro Gun Detection enhances security measures by automatically detecting and classifying people brandishing firearms, ensuring comprehensive threat detection.

Additionally, the camera now features IVA Pro Personal Protective Equipment (PPE), designed to detect the proper use of personal protective equipment, which can reduce accident risk and promote health and safety in various environments. IVA Pro Traffic can be licensed to optimize the camera analytics for ITS applications such as counting and classification, as well as Automatic Incident Detection, which are necessary for highway

and urban infrastructure planning. IVA Pro License Plate excels in real-time identification of license plates in parking applications or city environments for automated ticketing systems, traffic enforcement, and smart parking solutions.

Camera Trainer

The Camera Trainer program uses machine learning to allow the user to define objects of interest and generate detectors for them.

Auto-calibration

The camera offers auto-calibration by transforming 2D pixels into 3D real world measures, such as size, speed and geolocation of objects for tracking use cases. AI technology allows the camera to detect and analyze persons and vehicles in the scene to determine calibration parameters. Calibration efforts are now reduced to a single click, followed by the usual human verification. This reduces the calibration effort or time investment, ensuring optimal accuracy while keeping costs to a minimum.

Intelligent streaming

Smart encoding capabilities, utilizing video analytics, reduce bandwidth consumption to extremely low levels. Only relevant information in the scene, such as motion or objects found through analytics, needs to be encoded. The camera is capable of quad streaming, allowing it to deliver independent and configurable streams for live viewing, recording, or remote monitoring via constrained bandwidths. Each of these streams can be adapted independently to deliver high-quality video, perfectly tailored to purpose, while reducing bit rate by up to 90% compared to a standard camera.

Electronic image stabilization

The image quality of a camera can be affected if its mounting is unstable or prone to vibration. The larger the zoom value, the bigger the impact of these vibrations will be, making images unusable and causing fatigue for the user. The camera's image stabilization algorithm uses the built-in gyro sensor to detect continuous vibration and to correct the shaky video in the vertical and horizontal axis. This results in a stable and smooth video on the monitor. The EIS crop factor is adjustable. This helps the camera deliver exceptional image clarity, by allowing you to optimize the balance between field of view and the maximum vibration amplitude.

DORI coverage

DORI (Detect, Observe, Recognize, Identify) is a standard system (EN-62676-4) for defining the ability of a person viewing the video to distinguish persons or objects within a covered area. The maximum distance at which a camera/lens combination can meet these criteria is shown below:

4MP camera with 12 mm - 38 mm lens*

DORI	DORI definition	Distance	Horizontal width
Detect	25 px/m	162 m / 479 m	108 m
	8 px/ft	505 ft / 1498 ft	336 ft
Observe	63 px/m	64 m / 190 m	43 m
	19 px/ft	213 ft / 631 ft	142 ft
Recognize	125 px/m	32 m / 96 m	22 m
	38 px/ft	106 ft / 315 ft	71 ft
Identify	250 px/m	16 m / 48 m	11 m
	76 px/ft	53 ft / 158 ft	35 ft

*The numbers in this table do not reflect IVA distances. For IVA distances, refer to the lens calculator / Bosch IP video design tool.

Scene modes

Multiple configurable modes are provided with the best settings for a variety of applications. With one click, fully optimized image settings can be selected to suit the conditions. Different scene modes can be selected for different situations such as sodium lighting, fast moving objects or dark environments.

Resists rain, dust, and tampering with reliable operation across a wide temperature range

Suitable for indoor and outdoor usage.

The robust design of the camera is rated to IP66 / IP67 and IK11 standards, safeguarding the camera and its bubble against rain and dust while also offering protection against vandalism and tampering. The camera can operate in a wide ambient temperature range between -50°C up to +60°C (-58°F to +140°F).

Full Remote Commissioning

Installing a professional IP video surveillance camera has never been so easy. In fact, as an installer, you will never want to go back to the old methods of installing cameras again. Installation and commissioning can now be done much quicker with the simplified stages saving time on site. With the FLEXIDOME 8100i 4MP – X series camera's remote commissioning functionality there's no need to go up and down ladders. Using a PC or a mobile device with the Bosch Project Assistant app, you can pan, tilt, roll and zoom (PTRZ) and point the camera to the required field of view with a single click - without ever having to touch the camera or lens. Remote configuration and commissioning can also be done at a later stage once all cameras have been installed. Simply connect the Bosch Project Assistant app, available for iOS, Windows or Android, to the camera wirelessly to the local network. Or connect

to the camera remotely via the network using the camera's web interface or the Bosch Configuration Manager.

Easy installation

The mechanical design follows the Bosch installation philosophy by using an installation surface mount box (SMB) and easy cable management.

Power can be supplied via Power-over-Ethernet (PoE). With this configuration, only a single cable connection is required to view, power, and control the camera. Using PoE makes installation easier and more cost effective, as cameras do not require a local power source.

The AVF (Automatic Varifocal) feature makes it easy for installers to adjust zoom position without opening the camera. The automatic motorized zoom/focus adjustment with 1:1 pixel mapping ensures the camera is always accurately focused.

Data security

Special measures ensure the highest level of security for device access and data transport. On initial setup, the camera is only accessible over secure channels and enforces a password. Web browser and viewing client access can be protected using HTTPS or other secure protocols that support state-of-the-art TLS 1.2/1.3 with updated cipher suites including AES encryption with 256 bit keys. Only authenticated firmware can be uploaded, the boot process is secured. A three-level password protection with security recommendations allows users to customize device access.

Network and device access can be protected using 802.1x network authentication with EAP/TLS. Superior protection from malicious attacks is guaranteed by the Embedded Login Firewall, on-board Secure Element with Trusted Platform Module (TPM) and Public Key Infrastructure (PKI) support. The advanced certificate handling offers:

- Self-signed unique certificates automatically created when required
- Client and server certificates for authentication
- Client certificates for proof of authenticity
- Certificates with encrypted private keys
- Up to 4096 bit key length

Advanced edge recording

Advanced edge recording provides the reliable storage solution possible due to the combination of the following functionalities:

- Dual microSD cards that can be set up as either:
 - Mirrored, for redundant storage
 - Failover, for extended service intervals
 - Extended, for maximum retention time
- Industrial microSD card support allows for extreme lifetime
- Health monitoring on industrial microSD card (slot 1) provides early service indication

System integration and ONVIF conformance

The camera conforms to the ONVIF Profile S, ONVIF Profile G, ONVIF Profile M, and ONVIF Profile T specifications. For H.265 configuration, the camera supports Media Service 2, which is part of ONVIF Profile T. Compliance with these standards guarantees interoperability between network video products regardless of manufacturer.

Third-party integrators can easily access the internal feature set of the camera for integration into large projects. Visit the Bosch Integration Partner Program (IPP) website (ipp.boschsecurity.com) for more information.

Cloud-based services

Using the Bosch Security Cloud, you can configure, troubleshoot, and update supported devices using the browser-based interface or standard tools. With one click on Remote Portal, you can activate additional value-added services, such as Alarm Management in Cloud VMS, or VideoView+. VideoView+ provides an easy-to-use and cost-effective solution to remotely connect to your device from anywhere, at any time. Leverage the power of the Bosch cloud to monitor your premises and get notified about any incident. VideoView+ also enables live streaming, locally and from remote, of up to 8 concurrent devices via Video Security Client, or of up to 4 concurrent devices on the Android and iOS app clients. This includes replay and export functionality, as well as forensic search to define and perform search criteria for recorded events.

Bosch Remote Portal

With the secure cloud infrastructure, Remote Portal, you can manage your connected Bosch devices. From the Remote Portal you can:

- Complete initial configuration of your connected Bosch devices (online or offline).
- Update firmware for single or multiple devices.
- Manage certificates.
- Monitor the health of your connected Bosch devices.

Modular camera mounts and accessories

A full line of modular camera mounts and accessories are available that allow a consistent design across different platforms and a wide range of installation possibilities.

Several dedicated accessories are available that seamlessly fit to the camera and expand the different installation options over previous generations.

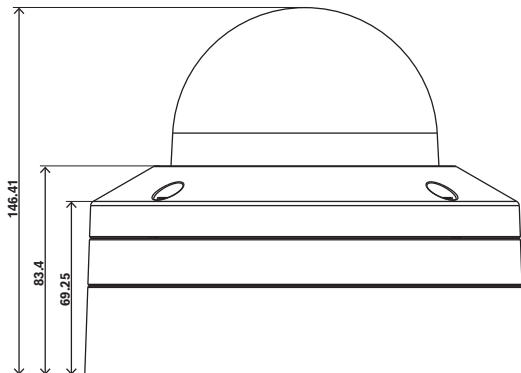
Available options include: a paintable cover, an on-camera weather protector, a clear, tinted or hydrophilic bubble, in-ceiling mounting kits, a surveillance cabinet with power and fiber optic options and different mounting options.

Regulatory information

Standards	Type
Emission	EN 55032 (class A), EN IEC 61000-6-4, EN 50121-4 (EN 61000-4-2, EN 61000-4-3, EN 61000-4-4, EN 61000-4-5, EN 61000-4-6), CFR 47 FCC, part 15B (class A), ICES-003, AS/NZS CISPR 32
Immunity	EN 55035, EN IEC 61000-6-2, EN 50130-4 (EN 61000-4-2, EN 61000-4-3, EN 61000-4-4, EN 61000-4-5, EN 61000-4-6), EN 50121-4 (EN 61000-4-2, EN 61000-4-3, EN 61000-4-4, EN 61000-4-5, EN 61000-4-6)
Environmental	EN 50130-5 Class IV-A (EN 60068-2-2, EN 60068-2-5, EN 60068-2-6, EN 60068-2-18, EN 60068-2-27, EN 60068-2-30, EN 60068-2-42, EN 60068-2-52, EN 60068-2-75, EN 60068-2-78, EN 60529), UL 2043 when combined with NDA-8002-PLEN, Nema TS 2 Section 2
Safety	EN 62368-1, UL 62368-1, CSA 62368-1
Image performance	IEC 62676-5
HD	SMPTE 296M-2001 (Resolution: 1280x720) SMPTE 274M-2008 (Resolution: 1920x1080)
Color representation	ITU-R BT.709-6
ONVIF conformance	EN 50132-5-2, EN 62676-2
Impact protection	EN 62262 (IK11)
Water/dust protection	EN 60529 (IP66/IP67), ISO 20653 (IP6K9K), UL50E (Type 4X)
Environment	2011/65/EU RoHS (EN IEC 63000), 1999/45/EC and 1907/2006 REACH, 2012/19/EU WEEE, 94/62/EC Packaging
Marks	CE, cULus, WEEE, RCM, VCCI, BIS, KCC, China RoHS, Cmic
Compliance	NDAA compliant

Region	Regulatory compliance/quality marks	
Global	IEC 62443	Industrial Cyber Security Capability
USA	UL CAP	Cybersecurity Assurance Program

Installation/configuration notes



Dimensions in mm (inch)

Parts included

Quantity	Component
1	FLEXIDOME 8100i 4MP - X series camera
1	T-20 security Torx bit
1	Mini screwdriver
1	IP66 rubber grommet
1	IP67 grommet
1	Network patch cable 50 cm
3	Identification label
1	Quick installation guide
1	Safety and security information

Technical specifications

Electrical

PoE input	PoE IEEE 802.3af / 802.3at Type 1, Class 3 PoE and auxiliary power can be connected simultaneously for redundant operation
Input voltage (VAC)	24 VAC \pm 10%
Input voltage (VDC)	12 VDC – 26 VDC \pm 10%
Power consumption PoE (W) (typical – maximum)	7 W – 12.95 W

Power consumption VAC (VA) (typical – maximum)	12 VA – 23.3 VA
Power consumption VAC (W) (typical – maximum)	6.9 W – 12.6 W
Power consumption VDC (W) (typical – maximum)	7.2 W – 19 W

Sensor

Total sensor pixels	4.10 MP approx.
Sensor type	1/1.8 inch CMOS; 2.9 μ m
Effective pixels (H x V)	2,688 x 1,520

Sensitivity

Low light technology	starlight X
Color (lx) (sensitivity measured according to IEC 62676 Part 5)	0.0252 lx (F2.3)
Monochrome (lx) (sensitivity measured according to IEC 62676 Part 5)	0.0022 lx (F2.3)
High Dynamic Range (HDR) (dB)	141 dB HDR X

Optical

Lens focal length (mm)	12 mm – 38 mm
Iris control	P-iris
Horizontal field of view ($^{\circ}$)	36 $^{\circ}$ – 12 $^{\circ}$
Vertical field of view ($^{\circ}$)	20 $^{\circ}$ – 7 $^{\circ}$
Lens aperture (/F)	F2.05 - F2.25
Zoom/focus control	Motorized

Video streaming

Video compression	H.264 (ISO/IEC 14496-10); M-JPEG; H.265/HEVC
Sensor modes	25 fps, HDR X, 2688 x 1520 (4.1 MP); 30 fps, HDR X, 2688 x 1520 (4.1 MP); 50 fps, 2688 x 1520 (4.1 MP); 60 fps, 2688 x 1520 (4.1 MP)

Streaming	Multiple configurable streams in H.265; H.264 and M-JPEG; Configurable framerate and bandwidth; Bosch Intelligent Streaming
Frame rate (fps)	1 fps – 60 fps
Camera processing latency	<67ms
GOP structure	IP; IBP; IBBP
Video signal-to-noise ratio (dB)	>55 dB
Resolution	4.1 MP 2688 x 1520, 3.7 MP 2560 x 1440, 2.8 MP (4:3) 1920 x 1440, HD 1080p 1920 x 1080, 1.3MP 1536 x 864, 1.3 MP (5:4) 1280 x 1024, HD 720p 1280 x 720, SD 432p 768 x 432, SD 480p (4:3) 720 x 480, VGA (4:3) 640 x 480

Video functions

ALC	Mode (standard, fluorescent), Level, Average vs. peak, Speed, Maximum gain; Adjustable
Shutter modes	Automatic Electronic Shutter (AES); 1/25 min; 1/15,000 max; Default shutter
Day/night modes	Auto (adjustable switch points); Color; Monochrome
WDR technology	HDR X
Field of view adjustment	Motorized pan, tilt, roll; Autofocus
Camera functionality	Mirror image; Rotation 90°; Rotation 180°; Rotation 270° including upright mode; Backlight compensation (BLC); Intelligent dynamic noise reduction; Contrast enhancement; Sharpness enhancement; Intelligent defog; Pixel counter; Tamper detection; Saturation; Brightness
Camera LED	Auto disable; Enable; Disable
White balance (K)	2,000 K – 10,000 K
White balance modes	Basic; Standard; Dominant color; Manual mode; Hold mode; 4 automatic modes; Sodium lamp
Number of privacy masks	8 independent areas, fully programmable

Display stamping	Name; Logo; Date/time; Alarm message
Scene modes	Traffic; Night optimized; Vibrant; Low bitrate; Sports & gaming; Retail; Intelligent AE; Indoor; Outdoor; License plate recognition
Positioning	Mounting height; Coordinates

Video content analysis

Analysis type	IVA Pro Buildings; IVA Pro Perimeter; IVA Pro Privacy; Camera Trainer
Alarm triggers	Any object; Object in field; Line crossing; Enter / leave field; Loitering; Follow route; Idle / removed object; Counting; Occupancy; Crowd density estimation; Condition change; Similarity search; Flow / counter flow; Objects stopping or starting to move
Object filters	Duration; Size; Aspect ratio; Speed; Direction; Color; Object classes (6)
Tracking modes	Standard (2D) tracking; 3D tracking; 3D people tracking; Ship tracking; Museum mode
Calibration	3D auto calibration
Number of possible alarm rules (simultaneously)	16
Additional functionalities	Tamper detection
Supported analytics	IVA Pro Traffic; IVA Pro Appearance; IVA Pro Personal Protective Equipment; IVA Pro Visual Gun Detection; Intelligent Audio Analytics: T3 / T4 alarm detection Available with a future FW release: IVA Pro License Plate; IVA Pro Vehicle Make Model; IVA Pro Dangerous Goods Signs; IVA Pro License Plate + Make Model; Intelligent Audio Analytics: Gunshot detection

Storage

Internal storage	5-s-pre-alarm-recording
Memory card slot	Dual micro SDHC; Dual micro SDXC; Dual micro SD card up to 2 TB

Dual micro SD-card slot configurations	Mirror (redundant storage); Failover (extended service interval); Extend (maximum retention time); Automatic Network Replenishment
----------------------------------------	------------------------------------------------------------------------------------------------------------------------------------

Inputs and outputs

Ethernet	Shielded RJ45
Audio line in	10 kOhm typical; max. 1 Vrms
Audio line out	1.5 kOhm typical; 1 Vrms
Alarm inputs	2
Alarm outputs	1
Power output	12 VDC, max 50mA
Surge protection	1 kV; 1 kA to ground (8/20 μ s)
Fiber optics (sold separately)	The Fiber Optic Ethernet Media Converter kit (VG4-SFP SCKT) installed inside a Surveillance Cabinet (NBA-7070-PA0, NBA-7070-PA1 or NBA-7070-PA2) provides the fiber optic interface to the mounted camera

Audio

Compression and sampling rate	G.711 8 kHz; L16 16 kHz; AAC-LC 80kbps 16 kHz; AAC-LC 48kbps 16 kHz
Minimum signal-to-noise ratio (dB)	>50 dB
Audio streaming	Full duplex; Half duplex

Network

Protocols / standards	IPv4; IPv6; UDP; TCP; HTTP; HTTPS; RTP/SRTP/RTCP; RTSP/RTSPS; IGMP V2/V3; ICMPv6; FTP/Secure FTP; ARP; DHCP; APIPA (Auto-IP, link local address); NTP (SNTP); SNMP (V1, MIBII); SNMP (V3, MIBII); 802.1x, EAP/TLS; DNS; DNSv6; SMTP; iSCSI; UPnP (SSDP); DiffServ (QoS); LLDP; SOAP; CHAP; Digest authentication, SCEP
Ethernet type	10/100/1000BASE-T; Auto-sensing; Full / half duplex
Conformity	ONVIF Profile S; ONVIF Profile G; ONVIF Profile T; Auto-MDIX; ONVIF Profile M

Platform

Common Product Platform	CPP14
-------------------------	-------

Data security

Crypto coprocessor (TPM)	RSA 4096 bit; AES/CBC 256 bit
PKI	X.509 certificates
End-to-end encryption	Full end-to-end with supported VMS
Encryption	TLS 1.2; AES 256; AES 128; TLS 1.3
Local storage encryption	XTS-AES
Video authentication	MD5; SHA-1; SHA-256; Checksum
Firmware protection	Signed firmware; Secure boot; Software sealing

Mechanical

Material	Housing: Aluminum
Bubble material	Clear polycarbonate
Pan range (°)	0° – 361°
Tilt range (°)	-3° – 85°
Roll range (°)	-95° – 95°
Dimensions (Ø x H) (mm)	175 mm x 148 mm
Dimensions (Ø x H) (in)	6.9 in x 5.7 in
Weight (kg)	2.30 kg
Weight (lb)	5.07 lb
Color (RAL)	RAL 9003 Signal white
Mounting type	Surface-mounted

Environmental

Operating temperature (°C)	-50 °C – 60 °C; Up to 74°C according to NEMA TS 2-2021, para 2.1.5.1 using fig. 2.1 test profile
Operating temperature (°F)	-58 °F – 140 °F; Up to 165°F according to NEMA TS 2-2021, para 2.1.5.1 using fig. 2.1 test profile
Storage temperature (°C)	-30 °C – 70 °C
Storage temperature (°F)	-22 °F – 158 °F

Cold start temperature (°C)	-40 °C
Cold start temperature (°F)	-40 °F
Operating relative humidity, non-condensing (%)	5% – 93%
Operating relative humidity, condensing (%)	5% – 100%
Storage relative humidity (%)	0% – 98%
Impact protection	IK11
IP rating	IP66; IP67; IP6K9K
Degree of protection	NEMA type 4X
Country of origin	Portugal

Ordering information

NDE-8703-RXT Fixed dome 4MP HDR X 12-38mm PTRZ IP67

Fixed dome camera 4 MP with starlight X, HDR X, IVA Pro Buildings, IVA Pro Perimeter, IVA Pro Privacy, IP66/IP67, IK11, H.264/H.265, 12-38 mm lens
Order number **NDE-8703-RXT**

Accessories

NDA-8000-CBL Clear replacement bubble

Clear replacement bubble for FLEXIDOME IP 8000i and FLEXIDOME 8100i cameras.
Order number **NDA-8000-CBL**

NDA-8000-TBL Tinted Bubble

Tinted bubble for FLEXIDOME IP 8000i and FLEXIDOME 8100i cameras
Order number **NDA-8000-TBL**

NDA-8000-WP On-camera weather protector

On-camera weather protector for FLEXIDOME IP 8000i and FLEXIDOME 8100i cameras
Order number **NDA-8000-WP**

NDA-8000-PC Paintable cover, 4 pcs

Paintable cover (4 pieces) for FLEXIDOME IP 8000i and FLEXIDOME 8100i cameras
Order number **NDA-8000-PC**

NDA-8000-SP In-ceiling mount support kit

Soft ceiling support for in-ceiling mount kit for FLEXIDOME IP 8000i and FLEXIDOME 8100i cameras
Order number **NDA-8000-SP**

NDA-8000-PIP Pendant interface plate, indoor

Pendant interface plate for FLEXIDOME IP 8000i and FLEXIDOME 8100i cameras
Order number **NDA-8000-PIP**

NDA-8000-PIPW Pendant interface plate, outdoor

Pendant interface plate including weather protector for FLEXIDOME IP 8000i and FLEXIDOME 8100i cameras
Order number **NDA-8000-PIPW**

NDA-8002-PLEN In-ceiling plenum rated kit

Plenum-rated in-ceiling mount kit for FLEXIDOME IP 8000i and FLEXIDOME 8100i cameras.
Order number **NDA-8002-PLEN**

NDA-8002-IC In-ceiling mount kit

In-ceiling mount kit with microphone support for FLEXIDOME 8000i and FLEXIDOME 8100i cameras.
Order number **NDA-8002-IC**

NDA-8001-IP IP54 protection kit, 3 pcs

NDA-8001-IP IP54 protection kit, 3 pcs
Order number **NDA-8001-IP**

NDA-8000-HCBL hydrophilic bubble

Hydrophilic bubble for FLEXIDOME IP 8000i and FLEXIDOME 8100i cameras
Order number **NDA-8000-HCBL**

NDA-U-WMT Pendant wall mount

Universal wall mount for dome cameras, white
Order number **NDA-U-WMT**

NDA-U-PMT Pendant pipe mount, 12" (31cm)

Universal pipe mount for dome cameras, 31 cm, white
Order number **NDA-U-PMT**

NDA-U-PMTE Pendant pipe extension, 20" (50cm)

Extension for universal pipe mount, 50 cm, white
Order number **NDA-U-PMTE**

NDA-U-PSMB Pendant wall/ceiling mount SMB

Surface mount box (SMB) for wall mount or pipe mount.
Order number **NDA-U-PSMB**

NDA-U-PMAS Pole mount adapter small

Pole mount adapter small
Universal pole mount adapter, white; small.
Order number **NDA-U-PMAS**

NDA-U-PMAL Pole mount adapter large

Universal pole mount adapter, white; large
Order number **NDA-U-PMAL**

NDA-U-RMT Pendant parapet mount

Universal roof mount for dome cameras, white, for outdoor usage
Order number **NDA-U-RMT**

NDA-U-CMT Corner mount adapter

Universal corner mount, white
Order number **NDA-U-CMT**

NDA-U-PA0 Surveillance cabinet 24VAC

Surveillance cabinet, 24 VAC input, 24 VAC output, IP66
Order number **NDA-U-PA0**

NDA-U-PA1 Surveillance cabinet 120VAC

Surveillance cabinet, 100 - 120 VAC 50/60 Hz input, 24 VAC output, IP66
Order number **NDA-U-PA1**

NDA-U-PA2 Surveillance cabinet 230VAC

Surveillance cabinet, 230 VAC input, 24 VAC output, IP66
Order number **NDA-U-PA2**

NDA-U-WMP Wall mount plate

Back plate for universal wall mount, corner mount and pole mount, white, IP66
Order number **NDA-U-WMP**

NDA-U-PMTS Pendant pipe mount, 4" (11 cm)

Universal pendant pipe mount for dome cameras, 11 cm (4"), white

Order number **NDA-U-PMTS**

NDA-U-DWMT Dual pendant wall mount

Universal dual wall mount for dome cameras

Order number **NDA-U-DWMT**

LTC 9230/01 Parapet roof mount adapter

Flat Roof Mount Adapter for mounting a unit in an upright position on a flat surface.

Order number **LTC 9230/01**

NBA-7070-PA0 Surveillance cabinet 24VAC

Surveillance cabinet, 24 VAC, IK10

Order number **NBA-7070-PA0**

NBA-7070-PA1 Surveillance cabinet 120VAC

Surveillance cabinet, 120 VAC, IK10

Order number **NBA-7070-PA1**

NBA-7070-PA2 Surveillance cabinet 230VAC

Surveillance cabinet, 230 VAC, IK10

Order number **NBA-7070-PA2**

NDA-8000-CND Conduit adapter, 4 pcs

Conduit adapter for cameras, 4 pcs

Order number **NDA-8000-CND**

Software Options**MVC-IVA-TRA IVA Pro Traffic**

Video analytics software based on deep neural network technology for traffic monitoring and Automatic Incident Detection.

Order number **MVC-IVA-TRA**

MVC-IVA-APC IVA Pro Appearance

Video analytics software based on deep neural network technology for extracting people appearance for a later forensic search; can be used as a surveillance or counting solution

Order number **MVC-IVA-APC**

MVC-IVA-PPE IVA Pro PPE

Video analytics software based on deep neural network technology for detecting personal protective equipment.

Order number **MVC-IVA-PPE**

MVC-IVA-LPR IVA Pro License Plate

Video analytics software based on deep neural network technology for detecting license plate information.

Order number **MVC-IVA-LPR**

MVC-IVA-MMR IVA Pro Vehicle Make Model

Video analytics software based on deep neural network technology for detecting vehicle information.

Order number **MVC-IVA-MMR**

MVC-IVA-DGS IVA Pro Dangerous Good Signs

Video analytics software based on deep neural network technology for detecting dangerous good signs.

Order number **MVC-IVA-DGS**

MVC-IVA-LPRX IVA Pro License Plate + Make Model

Video analytics software based on deep neural network technology for detecting license plate and vehicle information.

Order number **MVC-IVA-LPRX**

MVC-IVA-VGD IVA Pro Visual Gun Detection

Video analytics software based on deep neural network technology, designed to detect upright persons and brandished guns.

Order number **MVC-IVA-VGD**

MVC-IAA-GUN Gunshot Detector License, perpetual

Gunshot Detector License, perpetual

Order number **MVC-IAA-GUN**



<https://www.boschsecurity.com>