

SE88



Security Systems

EN | User Guide
Watch/Pendant Panic
Transmitter

BOSCH

FCC Statement

This device complies with Part 15 of the FCC rules and with RSS-210 of Industry and Science Canada.

Operation is subject to the following two conditions:

- This device may not cause harmful interference.
- This device must accept any interference received including interference that can cause undesired operation.

Trademarks

TORX® is a trademark of Textron Inc.

1.0 Overview

The SE88 is a personal transmitter designed to work with the Security Escort system. When initiated, a signal identifying you and your location is sent to the security office. The SE88 can also be tested within sight of a receiver or siren/strobe by the user.

The water resistant SE88 can be worn like a watch, as a neck pendant, or it can be attached to a solid surface with the optional mounting bracket.



The Security Escort system is **not** a substitute for safe behavior. System users should not take personal risks under the misconception the system provides protection that compensates for taking such risks.

2.0 Specifications

Table 1: Specifications

SE88-10S	Provides a supervisory transmission to the Security Escort System every 11 seconds.
SE88-30S	Provides a supervisory transmission to the Security Escort System every 32 seconds.
SE88-60M	Provides a supervisory transmission to the Security Escort System every 65 minutes.
Battery	Lithium coin cell battery. Duracell DL2032, Eveready CR2032, Panasonic CR2032
Operating Temperature	0°C to +60°C (-32°F to +140°F)

3.0 Transmitting an Alarm

Use your transmitter to send out an alarm only when you are in danger, seriously injured, or feel threatened.



Your personal transmitter is an emergency communication device and should not be used for routine communications with security officials.

Transmitting an alarm alerts a computer located in the security office that you require emergency assistance. A display on the computer screen indicates your identity and approximate location. In addition, someone is dispatched to assist you. Some facilities, flashing strobes, and audible sirens are activated in the vicinity of your location.

To transmit an alarm, simply press and hold the **Alarm** button for 1 second. The LED indicator blinks to indicate an alarm was sent.

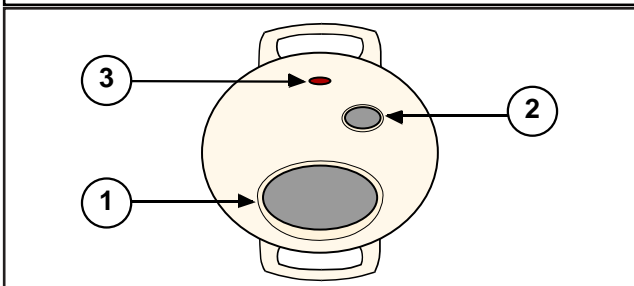
Once the **Alarm** button is pressed, the transmitter continues sending a signal every 10 sec. for 10 minutes.

You can stop the alarm transmission at any time by pressing the **Test** button. See *Figure 1*.



It is **not** necessary to point the transmitter at a receiver or be in sight of a receiver to activate an alarm.

Figure 1: Transmitting an Alarm



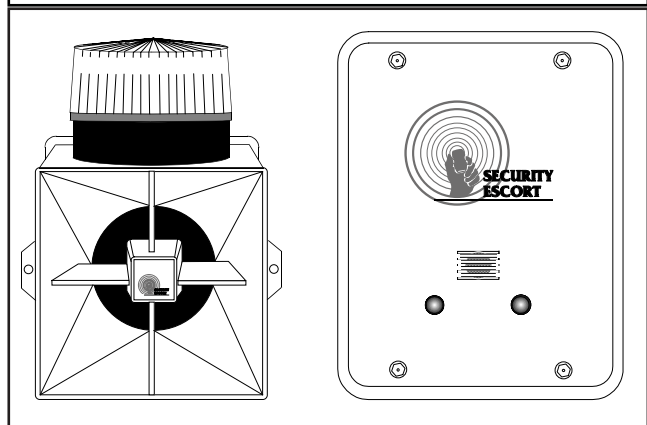
- 1 - Alarm button
- 2 - Test button
- 3 - LED indicator

4.0 Testing the Transmitter

Test the transmitter weekly. To verify transmitter operation:

1. You must be in sight of a Security Escort Siren/Strobe or a Security Escort Receiver. Receivers are located inside buildings usually within sight of an exit door. They are mounted on walls in light beige, rectangular enclosures bearing the Security Escort logo. Siren/strobes are typically mounted on outside building walls and on light poles. See *Figure 2*.

Figure 2: Siren/Strobe and Receiver



2. Press the **Test** button on your transmitter for about 1 sec. and release it after the LED blinks.
3. Look for a flashing strobe on a siren/strobe, or a flashing green light on a receiver. A flashing green light on a receiver or a flashing strobe on a siren/strobe confirms that the entire system is working. If you do not see the flashing light or flashing strobe, the test was not successful.



Before the flashing light appears, there might be a brief delay of 2 or 3 seconds.

If there is no response, try the test again. If there is no response the second time, your transmitter may not be working. Take the transmitter to the security office.

5.0 Battery Life

Depending on the model and assuming normal usage (such as weekly testing), the battery life should be:

- Model SE88-10S = approximately 90 days
- Model SE88-30S = approximately 200 days
- Model SE88-60M = approximately 3 years

If the battery is weak, a special signal is sent to the security office during any test, alarm, or supervisory transmission. Tests do not produce a flashing light on a receiver or siren/strobe when your transmitter has a weak battery.

6.0 Installing/Changing Batteries

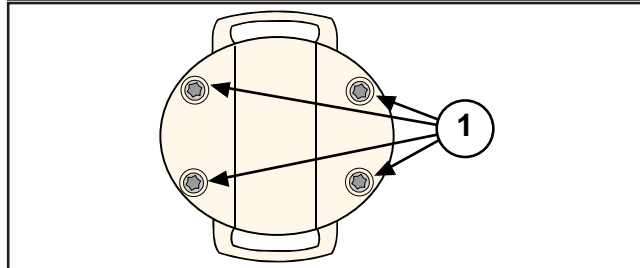


This equipment can be damaged by static electricity. Use a ground strap or grounded workstation when changing batteries.

You need a #8 TORX® wrench to replace the batteries.

1. Remove the four screws from the back cover (see *Figure 3*).

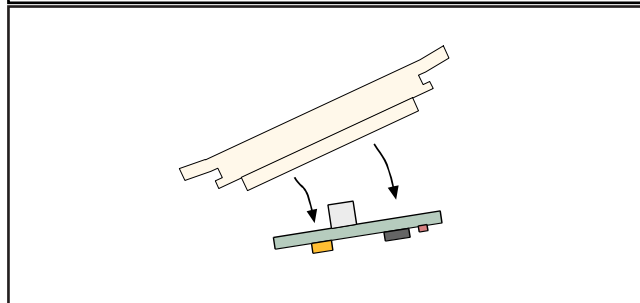
Figure 3: Remove Screws



1 - Screws

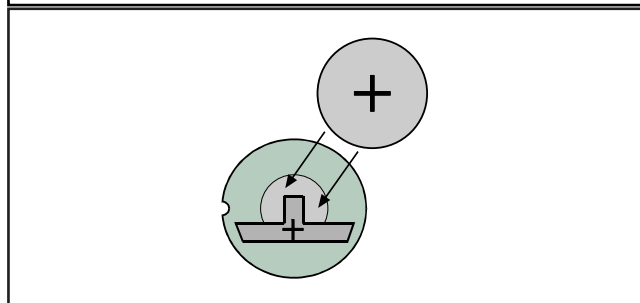
2. Tap the case to loosen the circuit board so it falls out from the unit (see *Figure 4*).

Figure 4: Tap Case

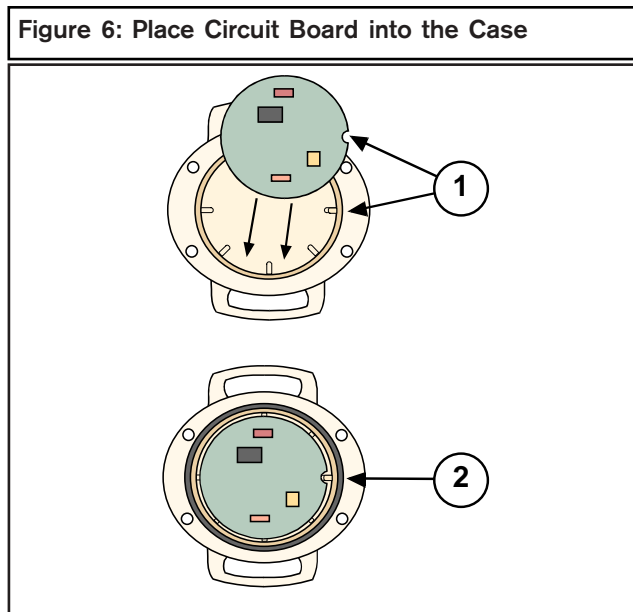


3. Insert the battery, placing the + (positive) side of the battery away from the circuit board (see *Figure 5*).

Figure 5: Insert Battery



- Place the circuit board into the case, making sure the gasket is in place (see *Figure 6*).



- The notch in the circuit board must align with this tab.
- Make sure the gasket under the cover is in place.

- Replace the case cover. **Do not overtighten the screws.**
- Test the SE88 for proper operation.

7.0 Accessories

The following accessories are available for your SE88 Watch/Pendant Transmitter:

- SE88-Shortband: 21 cm (8.25 in.) wrist band
- SE88-Longband: 25 cm (9.75 in.) wrist band
- SE88-Neckband: 86 cm (34 in.) neck band
- SE88-Wallmount: Wallmount bracket for storage or mounting the SE88 to any solid surface.

8.0 Important Information for all Users of the Security Escort System

8.1 Protected Areas

Check with the security department to verify the exact areas of the facility that are protected by the system and those that are not.

8.2 Use of Transmitter by Others

Your personal transmitter is assigned specifically to you and is for your use only. Do not transfer, loan, or share it with another individual. Before letting anyone handle your transmitter, inform them that it is an emergency communication device; and when activated, transmits your identity. An officer is dispatched to the location of the transmitter when activated.

8.3 Lost or Stolen Transmitters

If your transmitter is lost or stolen, report the incident immediately to the security office so a replacement can be issued to you and the original transmitter can be deleted from the system.

8.4 Tips for Better Transmission

As with all radio equipment, the signal strength from your Security Escort Personal Transmitter is reduced by metal and wet surfaces, and to some extent by the human body. To ensure proper transmission of an alarm, hold the transmitter in one hand (away from your body and other objects), press both buttons simultaneously, and hold. When transmitting while in a vehicle, hold the transmitter close to a window. Do not hesitate to retransmit.

8.5 Battery Life

Assuming normal usage (such as weekly testing), the battery lasts for approximately four years. If the battery is weak, a special signal is sent to the security office during a test. Tests do not produce a flashing light on a receiver or siren/strobe when your transmitter has a weak battery.

8.6 Exposure to Moisture

The transmitter is designed to be water resistant, and chances are it will not be affected by moisture. Nevertheless, test your transmitter a few times (several hours apart) once exposed to moisture to verify it is working properly.

8.7 Accidental Alarms

If you accidentally set off an alarm, **stay where you are!** Wait for the security official who responds to your alarm. Explain that you inadvertently set off your transmitter and make it clear you are not experiencing an emergency.

Bosch Security Systems
130 Perinton Parkway
Fairport, NY 14450-9199 USA
www.boschsecurity.us

© 2003 Bosch Security Systems
Subject to change | Printed in the USA
48058F

BOSCH