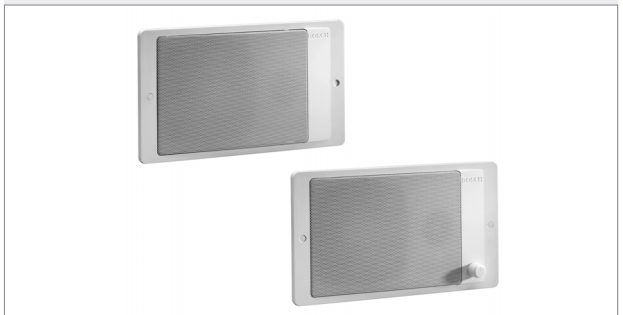


Loudspeakers



 Security Systems

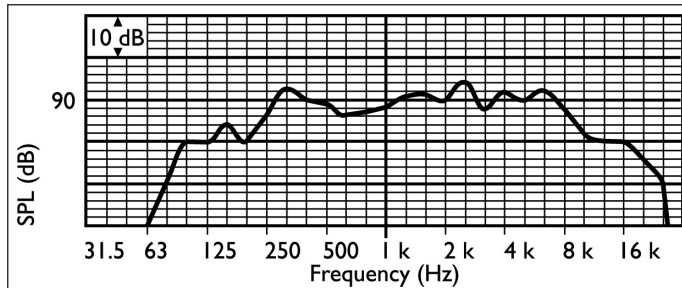
Instructions for use
 LBC 3011/x1
 LBC 3012/01
 LBC 3013/01
 EN

TECHNICAL PERFORMANCE DATA ACC. TO IEC 268-5

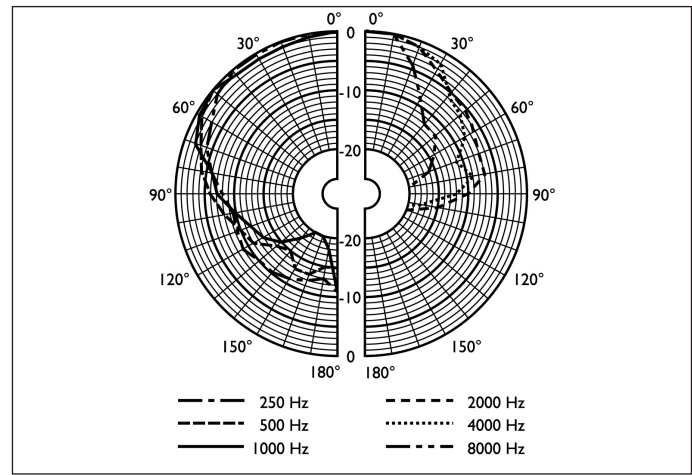
LBC 3011/41 and /51
 Max. power 9 W
 Rated power (PHC) 6 W (6 - 3 - 1.5 - 0.75 W)
 Sound pressure level at 6 W/1 W (at 1 kHz, 1 m) 96 / 88 dB
 Effective frequency range (-10 dB) 75 Hz to 18 kHz
 Opening angle (at 1 kHz/4 kHz, -6 dB)
 horizontal 160°/85°
 vertical 180°/100°
 Rated voltage 100 V
 Rated impedance 1667 Ω
 Speaker size 2"/5"
 Magnet weight 48 g/150 g (1.7 oz/ 5.3 oz)
 Ambient temperature range -25 to +55°C
 Safety acc. to EN 60065
 Connection 3-pole screw connector
 Dimensions (H x W x D) 165 x 284 x 59,5 mm (6.49 x 11.18 x 2.34 in)
 Mounting cut-out (H x W) 143 x 238 mm (5.63 x 9.37 in)
 Colour white (RAL 9010)
 Weight 1.2 kg (2.64 lb)

LBC 3012/01
 Dimensions (H x W x D) 165 x 284 x 64 mm (6.49 x 11.18 x 2.52 in)
 Colour white (RAL 9010)
 Weight 238 g (8,40 oz)

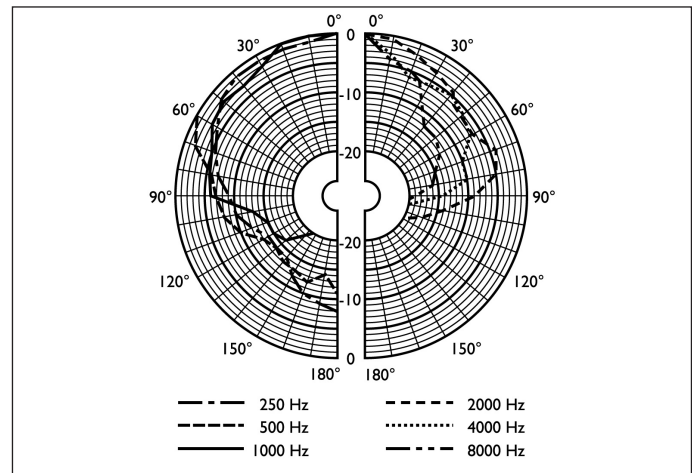
LBC 3013/01
 Dimensions (H x W x D) 176 x 280 x 64 mm (6.9 x 11.18 x 2.52 in)
 Colour white (RAL 9010)
 Weight 307 g (10,83 oz)



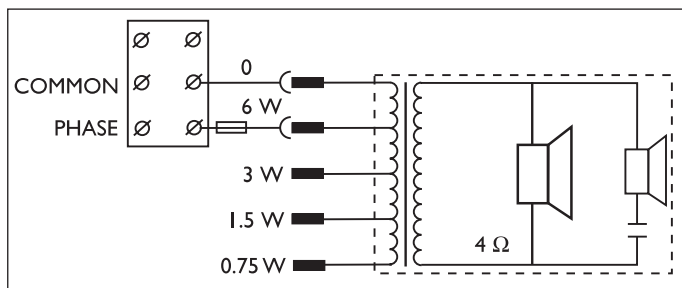
Frequency response



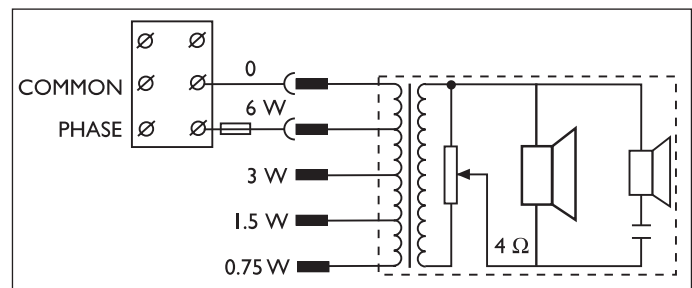
Polar diagram horizontal (measured with pink noise)



Polar diagram vertical (measured with pink noise)



Circuit diagram LBC 3011/41



Circuit diagram LBC 3011/51