

LTC 9214/00, LTC 9224/00, LTC 9216/00, LTC 9222/00  
LTC 9227/00, LTC 9228/00, LTC 9226/00



Security Systems

EN | Instruction Booklet  
Indoor/ Outdoor  
Mounts

**BOSCH**

## SAFETY PRECAUTIONS



The exclamation point within an equilateral triangle is intended to alert the user to presence of important operating and maintenance (servicing) instructions in the literature accompanying the appliance.

## SECURITE



Le point d'exclamation à l'intérieur d'un triangle équilatéral avertit l'utilisateur de la présence d'instructions importantes d'utilisation et de maintenance dans la documentation accompagnant l'appareil.

## SICHERHEITSVORKENHRUNGEN



Das Ausrufezeichen in dem gleichseitigen Dreieck ist dazu da, den Benutzer auf wichtige Inbetriebnahme- und Instandhaltungs-vorschriften hinzuweisen, die dem Gerät in Form einer Broschüre beigelegt sind.

## PRECAUCIONES DE SEGURIDAD



El símbolo de exclamación dentro de un triángulo equilátero, se muestra con el objetivo de alertar al usuario de que instrucciones de operación y mantenimiento importantes acompañan al equipo.

## I UNPACKING

This equipment should be unpacked carefully and handled with care.

Check for the following items:

- Model number of unit.
- Instructions for Use.

If an item appears to have been damaged in shipment, replace it properly in its carton and notify the shipper. If any items are missing, notify Bosch Security Systems.

The shipping carton is the safest container in which the unit may be transported. Save it for possible future use.

## 2 SERVICE

If the unit ever needs repair service, the customer should contact the nearest Bosch Security Systems, Inc. Service Center for authorization to return and shipping instructions.

### Service Centers

U.S.A.: 800-366-2283 or 408-956-3895

Fax: 800-366-1329 or 408-956-3896

Email: NationalServiceCenter@ca.slr.com

Canada: 514-738-2434

Europe, Middle East & Asia Pacific Regions

800-366-2283

For additional information, see

www.boschsecuritysystems.com

## 3 DESCRIPTION

These versatile indoor/outdoor column, wall, corner and adjustable head mounts accommodate fixed cameras, housings, pan/tilts, and scanners.

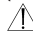
## 4 INSTALLATION

See **SPECIFICATIONS** for the maximum rated load of mount.

Mounting Hardware: Not furnished.

**Note:** The use of stainless steel or zinc-plated fasteners is recommended.

### 4.1 LTC 9214/00 356-mm (14-inch) and LTC 9224/00 610-mm (24-inch) Column Mounts

1. Determine a secure mounting location, either for a pedestal (floor) mounted installation or for an overhead (ceiling) mounted installation.
2.  **Caution:**
  - a. For a secure mounting installation, bolts should extend through the mounting surface and be secured with nuts, washers, and lock washers on the opposite side.
  - b. If studs are used, they should either be anchored in concrete or welded to a steel backer plate.
  - c. If the LTC 9214/00 or LTC 9224/00 is mounted to wood or a blind structure (with no access to the rear) in a ceiling, make certain that the mounting fasteners have a **minimum** pull-out strength of 600 pounds.

**WARNING: The maximum rated load is reduced to 45.3 kg (100 lb) when mounted in a ceiling.**

3. Locate and drill four mounting holes using the end flanges as a template.
4. Using four bolts (or studs) with nuts, washers, and lock washers, fasten the LTC 9214/00 or LTC 9224/00 to its mounting location and tighten all nuts securely.

**Note:** The **minimum** diameter bolt (or stud) required is 10 mm (3/8 in).

5. To mount the LTC 9227/00 Adjustable Head Mount:
  - a. Use the mounting hole which is located in the center of the LTC 9214/00 or LTC 9224/00 mounting plate. This mounting hole is threaded to receive a 1/4-20 bolt.
  - b. Insert a 1/4-20 hex head machine bolt with washer and lock washer through the LTC 9227/00 base plate and into the threaded insert on either end flange of the LTC 9214/00 or LTC 9224/00.

6. To mount a pan/tilt or scanner device:
  - a. The slotted mounting holes on the LTC 9214/00 or LTC 9224/00 can accommodate the following mounting hole dimensions of pan/tilts and scanners:


	<b>Max.</b>	<b>Min.</b>
Bolt Circle	197 mm (7.75 in)	121 mm (4.75 in)
Square Centers	140 mm (5.50 in)	85 mm (3.36 in)

- b. To install, line up the holes in the base mounting plate of the device. Insert a minimum of four machine bolts (not included) with flat washers through the device and the end flange of the LTC 9214/00 or LTC 9224/00; then securely fasten using lock washers and nuts.

## 4.2 LTC 9216/00 409-mm (16-inch) and LTC 9222/00 564-mm (22-inch) Wall Mounts

1. Determine a secure wall mounting location.

**WARNING: Do not mount in an inverted position.**

2.  **Caution:**
  - a. For a secure installation use six (6) bolts (not included). The bolts should extend through the mounting surface and be secured with nuts, lock washers, and flat washers on the opposite side.
  - b. If studs are used, they should be anchored in concrete or welded to a steel backer plate.
  - c. If the wall mount is attached to wood or to a blind structure (with no access to the rear), make certain that the mounting fasteners have a **minimum** pull-out strength of 600 pounds.
3. For ease of installation, locate the bottom mounting holes first. Install the bolts (or studs) into the wall surface.

**WARNING: The LTC 9216/00 and LTC 9222/00 must be mounted with the slotted mounting holes of the wall plate at the bottom.**

4. Reseat the LTC 9216/00 or LTC 9222/00 on the bolts (or studs) using the bottom slotted holes, then locate the upper mounting holes and drill into the wall surface.
5. Install the upper bolts (or studs) through the wall mount and into the wall surface. Tighten upper and lower bolts (or studs) securely.

**Note:** The **minimum** diameter bolt (or stud) required is 10 mm (3/8 in).

6. To mount the LTC9227/00 Adjustable Head Mount to:

### LTC 9216/00 Wall Mount

- a. Use the 1/4-20 threaded mounting hole located in the center of the slot pattern.
- b. Insert a 1/4-20 hex head machine bolt, washer, and lock washer through the adjustable head and into the threaded insert in the wall mount. The bolt should be 20 mm (3/4 in) long. A lock washer and a flat washer must be used under the head of the bolt.

### LTC 9222/00 Wall Mount

- a. Line up the hole in the LTC 9227/00 base plate with the center mounting hole on the mounting bracket.
- b. Insert a bolt with flat washer through the LTC 9227/00 base plate and mounting bracket. A 5/16-18 x 50 mm (2-in) long bolt (not supplied) is recommended to fasten the LTC 9227/00 to the mounting bracket.
- c. From the underside of the mounting bracket, use a lock washer and nut to secure the LTC 9227/00. Temporarily leave hand tight.

7. To mount a pan/tilt or scanner device:
  - a. The slotted mounting holes on the LTC 9216/00 and LTC 9222/00 can accommodate the following mounting hole dimensions of pan/tilts and scanners:

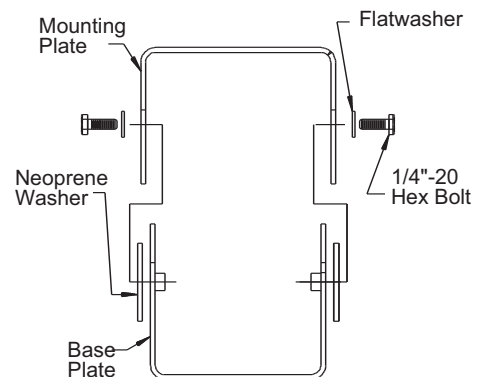
	Max.	Min.
Bolt Circle	197 mm (7.75 in)	121 mm (4.75 in)
Square Centers	140 mm (5.50 in)	85 mm (3.36 in)

- b. To install, line up the holes in the base mounting plate of the device. Insert a minimum of four machine bolts (not included) with flat washers and lock washers through the device and the mounting plate of the wall mount; then securely fasten using lock washers and nuts.

## 4.3 LTC 9227/00 Adjustable Head Mount

### 4.3.1 Parts List

Mounting Plate	2 - Flat Washers
Base Plate	2 - Neoprene Washers
2 - 1/4-20 Hex Bolts	



### 4.3.2 Assembly

1. Insert a neoprene washer between each side of the mounting plate and base plate.
2. Line up each of the side holes; insert one 1/4-20 hex head machine bolt with flat washer and screw into threaded hole in base plate.
3. Hand tighten side bolts until ready to install.

### 4.3.3 Installation

1. The LTC 9227/00 is intended for installation on a rigid mounting surface by use of a bolt through the base plate.
2. To mount the LTC 9227/00 Adjustable Head Mount to:

#### LTC 9216/00 Wall Mount

- a. Use the 1/4-20 threaded mounting hole located in the center of the slot pattern.
- b. Insert a 1/4-20 hex head machine bolt through the adjustable head and into the threaded insert in the wall mount. The bolt should be 20 mm (3/4 in) long. A lock washer and a flat washer must be used under the head of the bolt.

#### LTC 9222/00 Wall Mount

- a. Line up the hole in the LTC 9227/00 base plate with the center mounting hole on the mounting bracket.

- b. Insert a bolt with flat washer through the LTC 9227/00 base plate and mounting bracket. A 5/16-18 x 50 mm (2 in) long bolt (not supplied) is recommended to fasten the LTC 9227/00 to the mounting bracket.
  - c. From the underside of the mounting bracket, use a lock washer and nut to secure the LTC 9227/00. Leave hand tight.
3. To install on a LTC 9214/00 Column Mount, insert a 1/4-20 hex head machine bolt through the LTC 9227/00 base plate and into the threaded insert on either end flange of the LTC 9214/00.
  4. To install a camera or camera/housing assembly:
    - a. Insert two (2) 1/4-20 bolts with flat washers from the underside of the LTC 9227/00 mounting plate.
    - b. Thread into the underside of the camera or housing and tighten securely.
  5. To adjust the LTC 9227/00:
    - a. Observe the camera video on a monitor while moving the camera to the desired position.
    - b. Tighten securely both the base plate mounting bolt and the two side bolts.

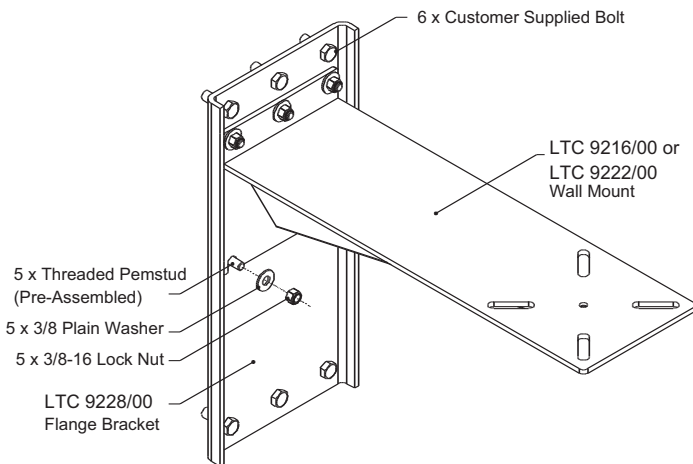
## 4.4 LTC 9228/00 Flange Bracket

### 4.4.1 Parts List

Mounting Plate

5 - 3/8 Flat Washers

5 - 3/8-16 Lock Nuts



**Note:** The LTC 9228/00 flange bracket is used to increase the weight distribution on insufficient load bearing surfaces for the LTC 9216/00 and LTC 9222/00 wall mounts.

### 4.4.2 Installation

1. Determine a secure wall mounting location.
2. Mount the LTC 9228/00 flange bracket with the pre-assembled threaded pemstuds facing outward from the mounting surface.
3. **Caution:**
  - a. For a secure installation, use six (6) bolts (not included). The bolts should extend through the mounting surface and be secured with nuts, lock washers, and flat washers on the opposite side.

- b. If studs are used, they should be anchored in concrete or welded to a steel backer plate.
  - c. If the flange bracket is attached to wood or to a blind structure (with no access to the rear), make certain that the mounting fasteners have a minimum pull-out strength of 600 pounds.
4. Mount either the LTC 9216/00 or the LTC 9222/00 wall mounts to the LTC 9228/00 flange bracket. Align the mounting holes of the wall mount with the five (5) threaded pemstuds of the flange bracket.
  5. Follow instructions, **LTC 9216/00 409-mm (16-inch) and LTC 9222/00 564-mm (22-inch) Wall Mounts**, for wall mount installation to the LTC 9228/00 flange bracket.

## 4.5 LTC 9226/00 Corner Bracket

1. Determine a secure wall mounting location.
2. **Caution:**
  - a. Use 10 mm (3/8 inch) stainless steel or zinc plated fasteners (not included) for secure installation.
  - b. If bolts are used, they should extend through the mounting surface and be secured with flat washers, lock washers, and nuts on the opposite side. Each bolt must have a **minimum** pull-out strength of 780 N (175 lb).
  - c. If studs are used, they should be anchored in concrete or welded to a steel backer plate. Each stud must have a **minimum** pull-out strength of 780 N (175 lb).
  - d. If the wall mount is attached to wood or a blind structure (with no access to the rear), make certain that the mounting fasteners have a **minimum** pull-out strength of 780 N (175 lb).
3. Locate the eight holes or stud locations using the bracket as a template (four holes per bracket leg).
4. Install the mount using at least eight bolts or studs.
5. Mount wall or dome mount as instructed in the accompanying instructions.

## 5 SPECIFICATIONS

### 5.1 LTC 9214/00 356-mm (14-inch) and LTC 9224/00 610-mm (24-inch) Column Mounts

**Maximum Rated Load:**

Upright: 90.6 kg (200 lb).

Inverted: 45.3 kg (100 lb).

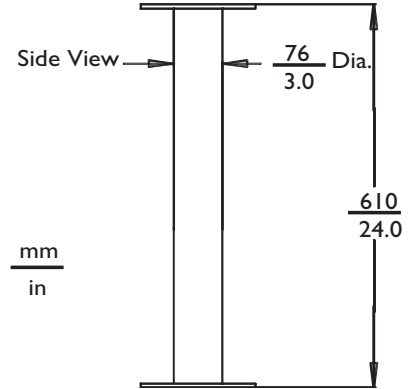
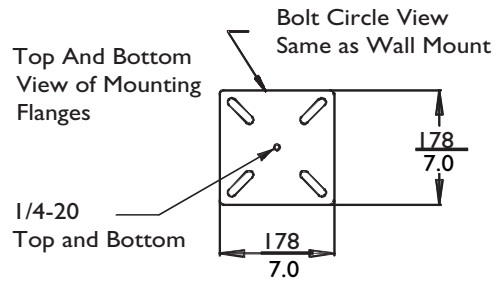
**Mounting Hardware:** Not furnished.

**Finish:** Off-white semigloss polyurethane.

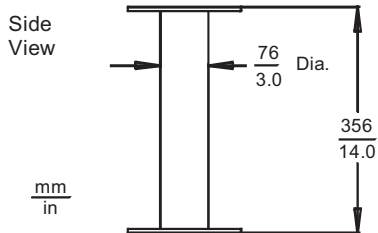
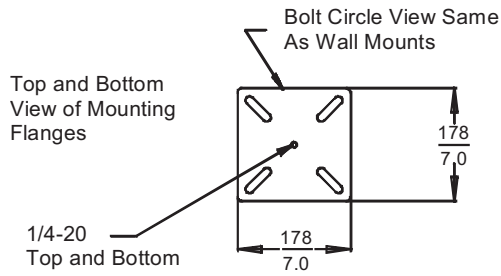
**Weight:**

LTC 9214/00: 2.3 kg (5.1 lb).

LTC 9224/00: 3.3 kg (7.2 lb).



**LTC 9224/00**



**LTC 9214/00**

## 5.2 LTC 9216/00 409-mm (16-inch) and LTC 9222/00 564-mm (22-inch) Wall Mounts

### Maximum Rated Load:

LTC 9216/00: 45.3 kg (100 lb).

LTC 9222/00: 90.6 kg (200 lb).

**Mounting Hardware:** Not furnished.

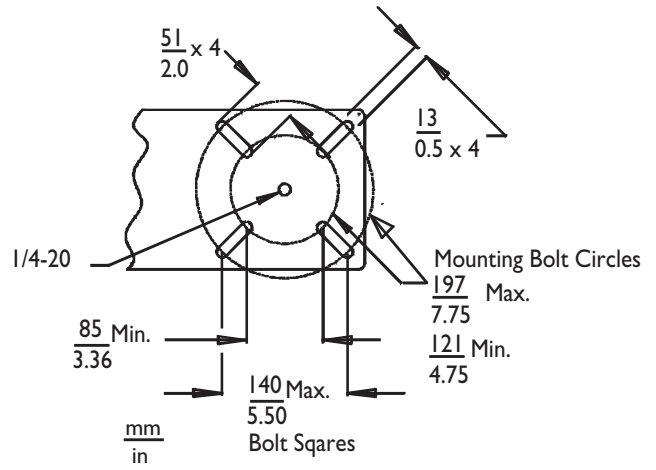
**Finish:** Off-white semigloss polyurethane.

### Weight:

LTC 9216/00: 1.6 kg (3.5 lb).

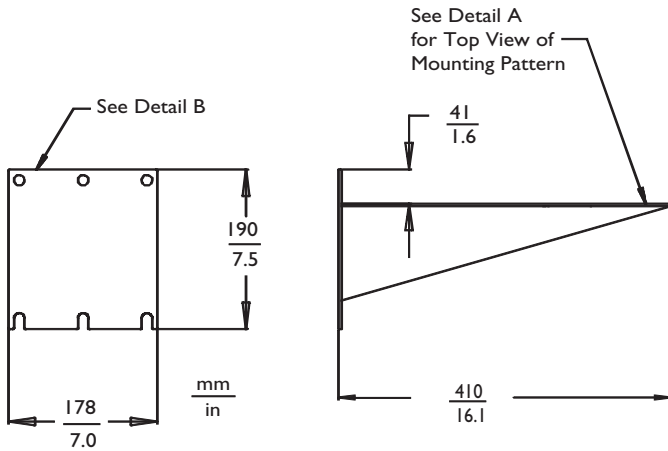
LTC 9222/00: 2.9 kg (6.5 lb).

Note: Do not mount the LTC 9216/00 or LTC 9222/00 wall mounts in an inverted position.

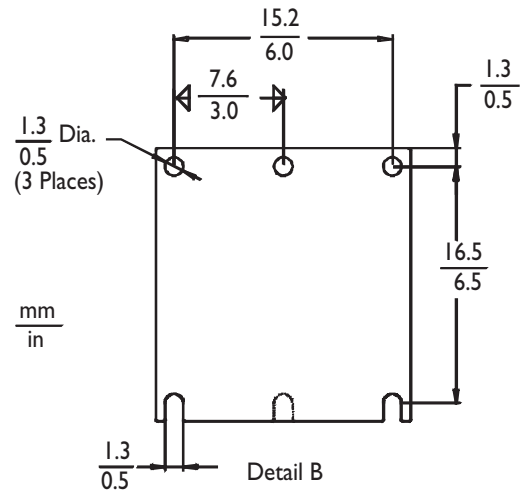


Detail A

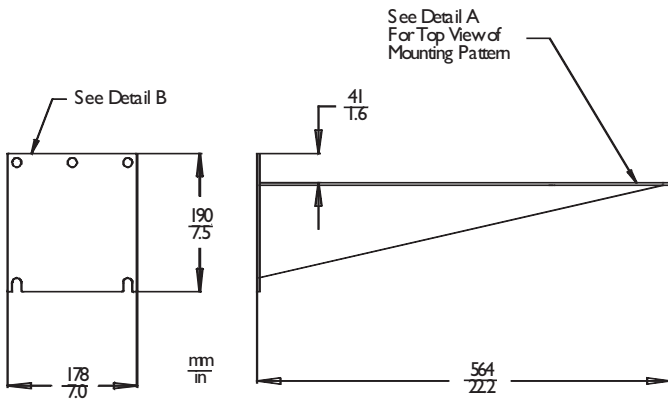
Detail A - LTC 9216/00 and LTC 9222/00



LTC 9216/00



Detail B - LTC 9222/00



LTC 9222/00

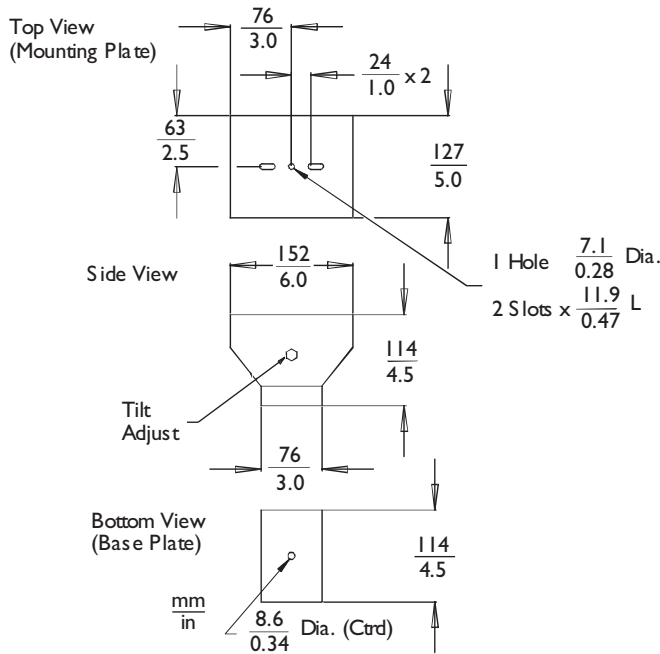
### 5.3 LTC 9227/00 Adjustable Head Mount

**Maximum Rated Load:** 45.3 kg (100 lb).

**Mounting Hardware:** Not furnished.

**Finish:** Off-white semigloss polyurethane.

**Weight:** 0.55 kg (1.2 lb).



**LTC 9227/00**

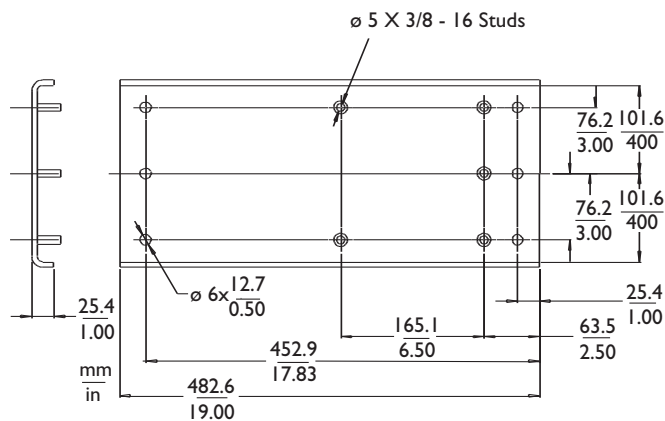
### 5.4 LTC 9228/00 Flange Bracket

**Maximum Rated Load:** 45.3 kg (100 lb).

**Mounting Hardware:** (5) 3/8-16 x 1 1/4 studs, (5) 3/8 flat washers, and (5) 3/8-16 lock nuts.

**Finish:** Off-white semigloss polyurethane.

**Weight:** 2.1 kg (4.6 lb).



**LTC 9228/00**

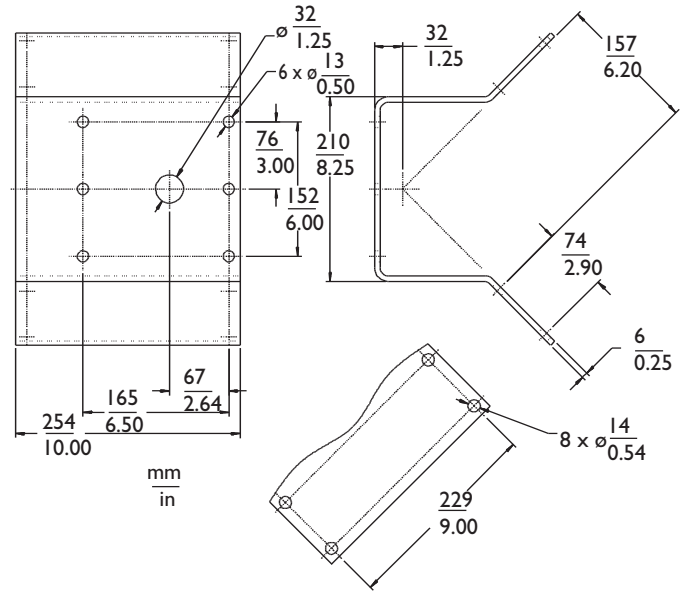
### 5.5 LTC 9226/00 Corner Bracket

**Maximum Rated Load:** 45.3 kg (100 lb).

**Mounting Hardware:** Not furnished.

**Finish:** Off-white semigloss polyurethane.

**Weight:** 2.9 kg (6.5 lb).



**LTC 9226/00**

Bosch Security Systems, Inc.  
850 Greenfield Road  
Lancaster, PA 17601 EE.UU.  
Tel: 800-326-3270  
Fax: 717-735-6560  
[www.boschsecuritysystems.com](http://www.boschsecuritysystems.com)

Robert Bosch GmbH  
Geschäftsbereich  
Postfach 10 60 50  
70049 Stuttgart  
Telefax (0711) 811-1234

Bosch Security Systems B.V.  
P.O. Box 80002  
5600 JB Eindhoven  
The Netherlands  
Tele +31 40 27 80000

@ 2004 Bosch Security Systems GmbH

100 0079 001 BOS Updated May 25, 2004 Printed in the U.S.A

Data subject to change without notice.

**BOSCH**