

# PAVIRO Alarm Button

PVA-1EB



**BOSCH**

**en**    Installation note



---

## Table of contents

<b>1</b>	<b>Short information</b>	<b>4</b>
<b>2</b>	<b>Installation</b>	<b>5</b>
<b>3</b>	<b>Technical data</b>	<b>9</b>

## 1 Short information

The PVA-1EB is an optional button for installation in the PAVIRO call stations. For more information, see the call station documentation or IRIS-Net documentation.

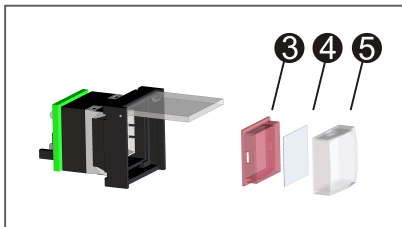
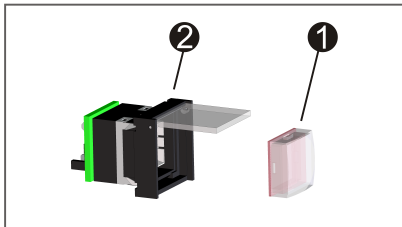
### Parts included

Quantity	Component
1	Button element with cover
1	Preconfigured 4-pin connecting cable
1	Installation note

## 2 Installation

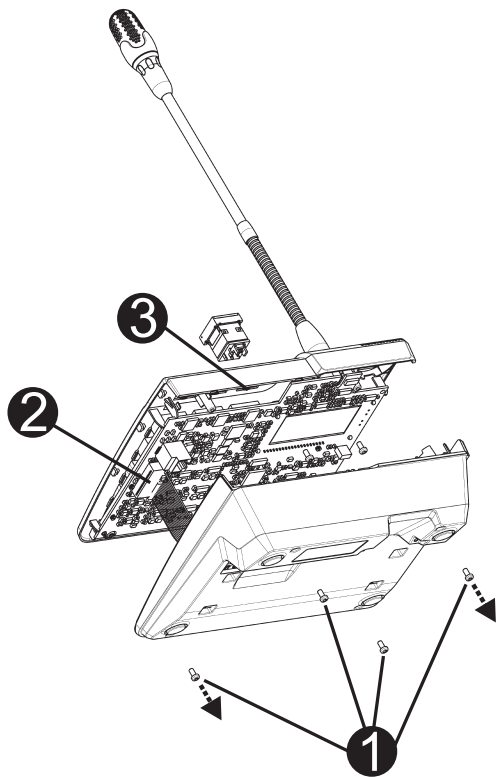
### Labeling

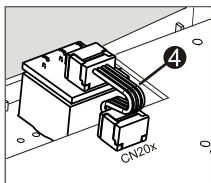
1. Remove button ❶ from housing ❷
2. Remove red diffusor ❸ from lens ❹ using a sharp tool (such as a knife)
3. Label the film insert ❺
4. Re-assemble the button including the film insert and mount into the housing ❷



## Assembly in call station

1. Disconnect the call station from all connectors
2. Unscrew the call station baseplate (4 screws ❶)
3. Carefully remove the baseplate from the upper part, start on the top left corner of the call station.
4. Unplug the connecting cable from the CN1 plug connector ❷
5. Prepare installation location ❸: Use a sharp object (scriber or similar) to carefully punch through and cut out the pre-cut rectangle on the inside of the housing. Perform any follow-up work that may be required to the installation location (e.g. filing, trimming)
6. Mount the button into the installation location, and press in evenly (it must be possible for the cover cap to open upward)
7. Depending on whether the right/middle/left installation location is used, plug the ribbon cable ❹ into plug connector CN201/CN202/CN203 on the circuit board
8. Plug the connecting cable into CN1 again
9. Carefully re-attach the call station baseplate
10. Re-connect the connections
11. Configure the button using the software







### 3 Technical data

Net weight	30 g
Shipping weight	40 g





**Bosch Security Systems B.V.**

Torenallee 49  
5617 BA Eindhoven  
The Netherlands

**[www.boschsecurity.com](http://www.boschsecurity.com)**

© Bosch Security Systems B.V., 2015