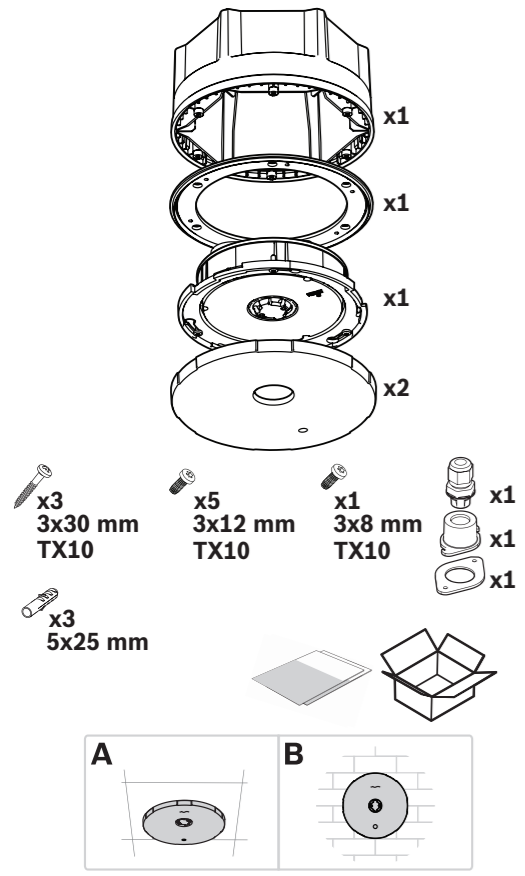
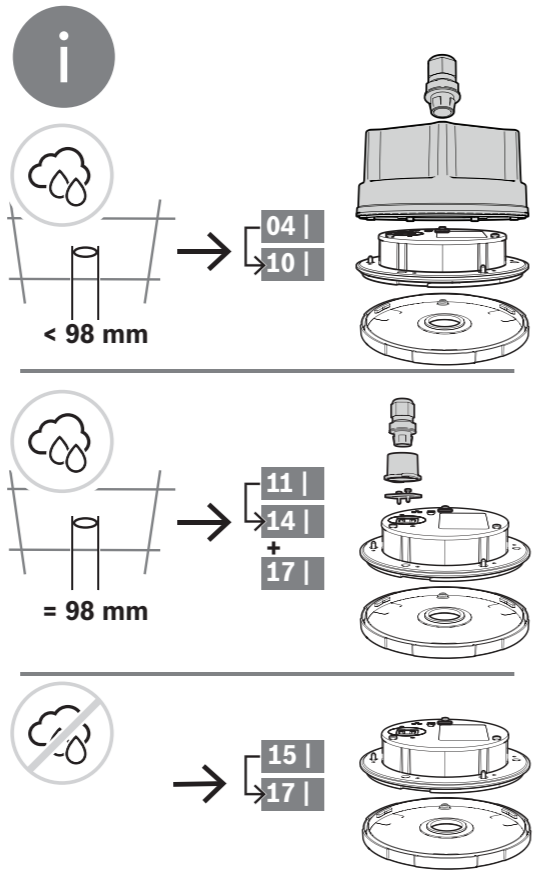


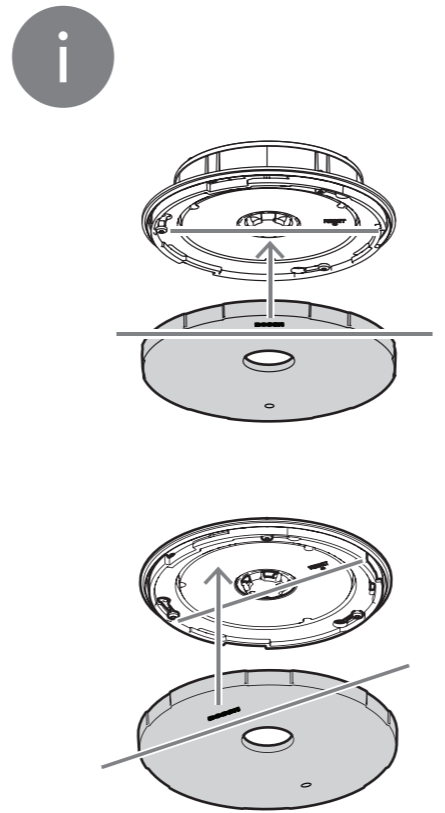
1 |



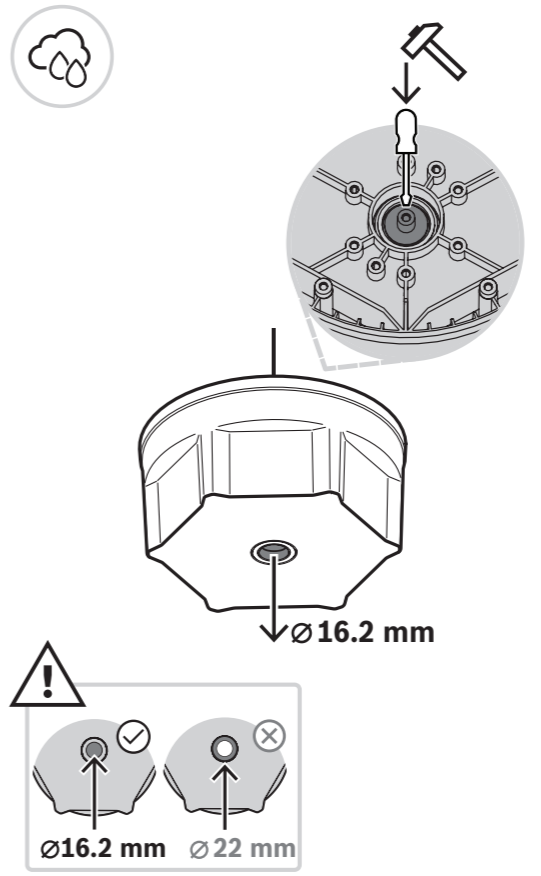
2 |



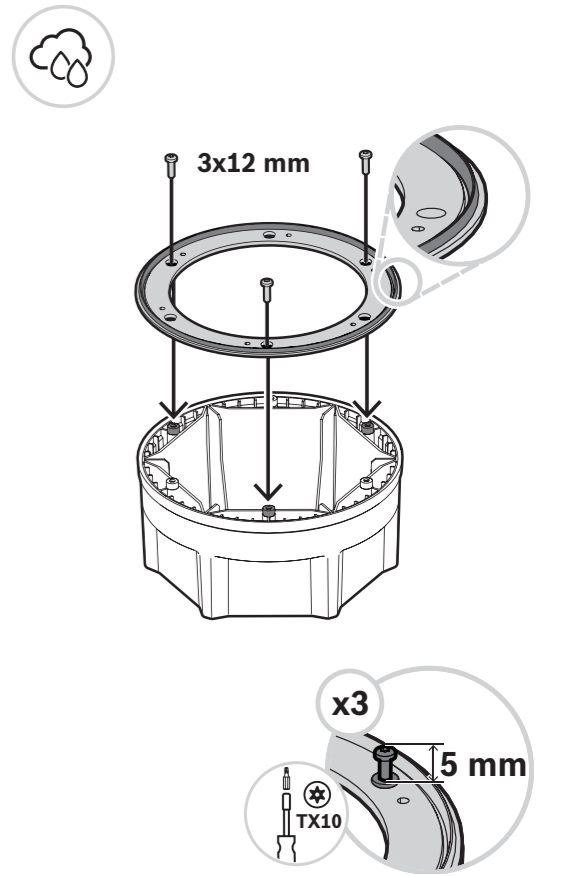
3 |



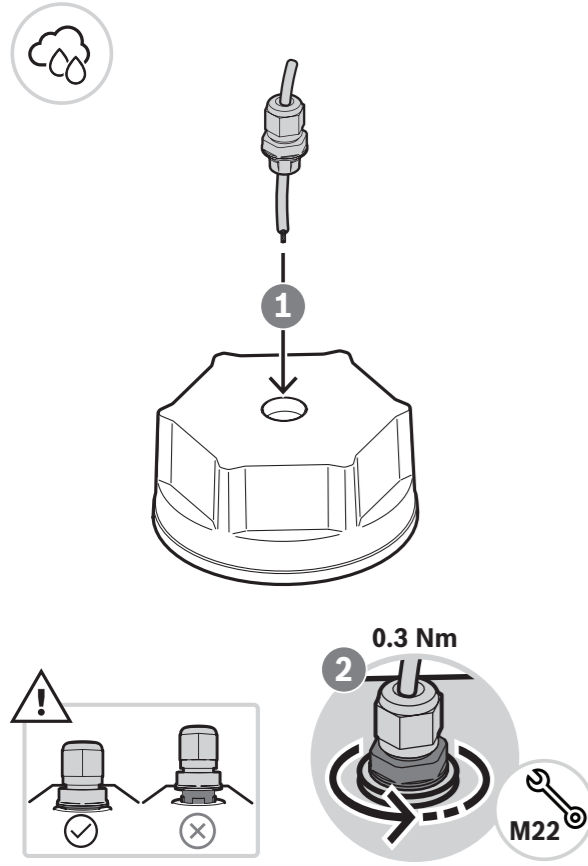
4 |



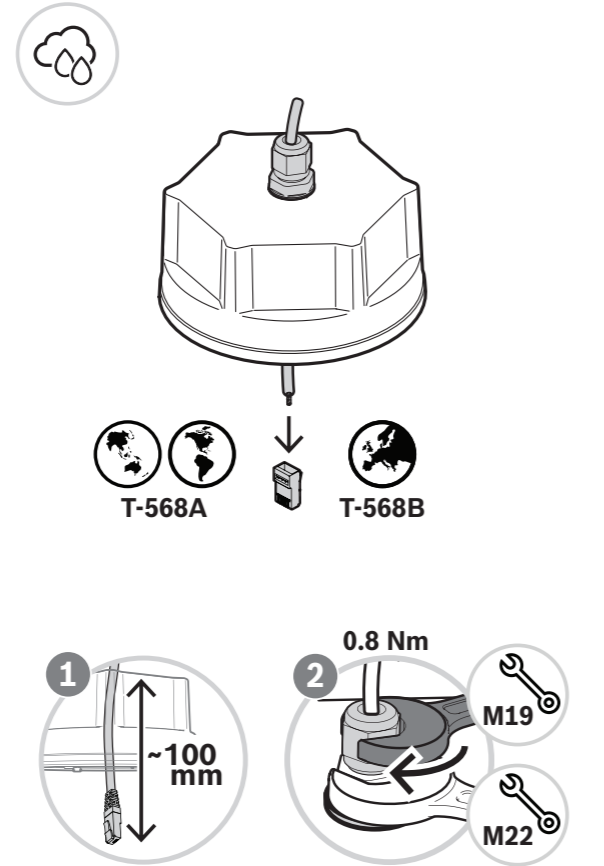
5 |



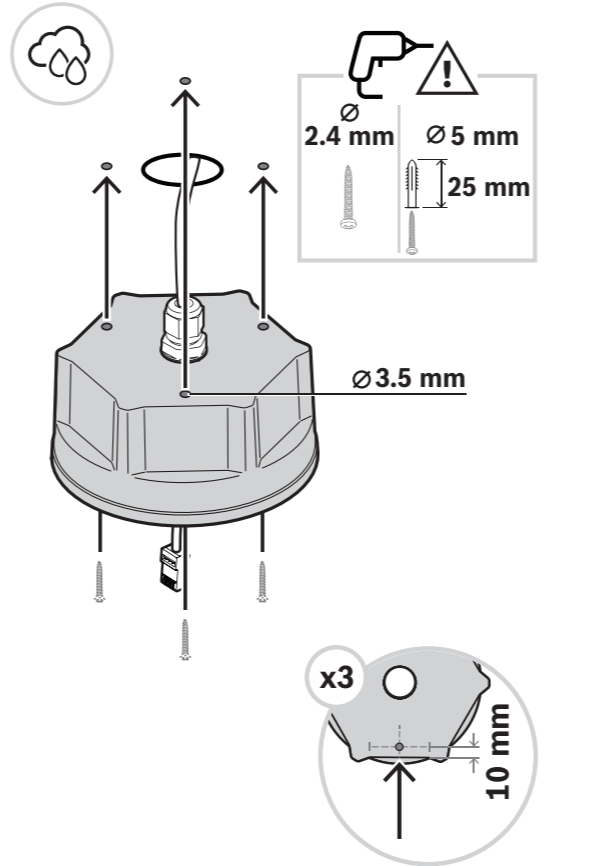
6 |



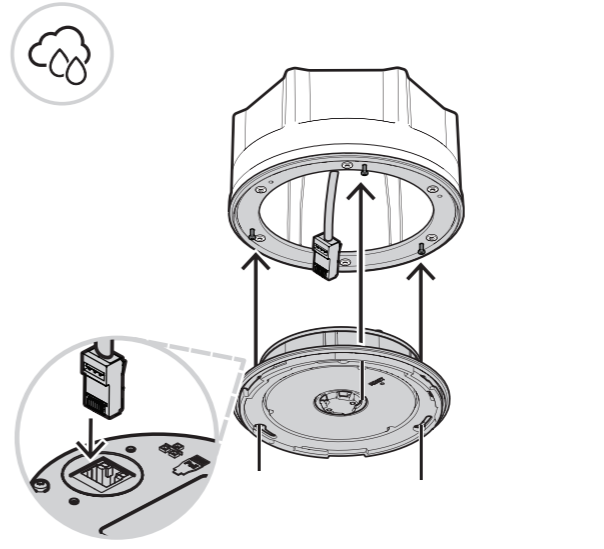
7 |



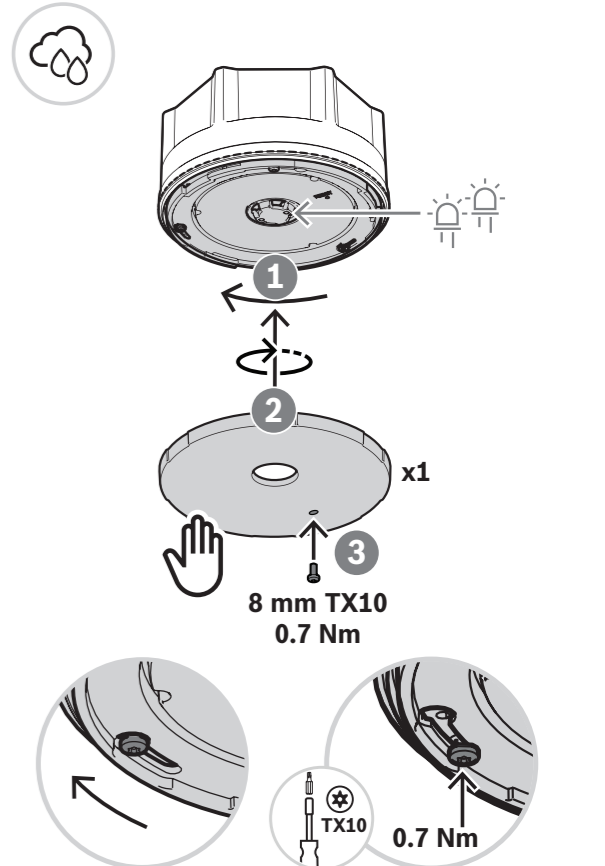
8 |



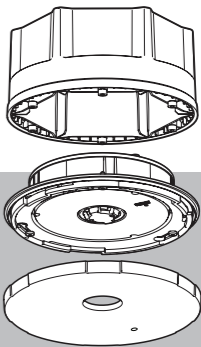
9 |



10 |

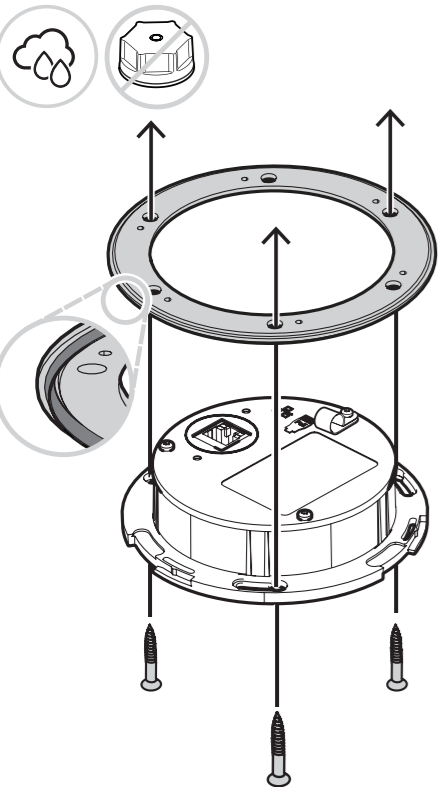


**PRAESENSA Ambient noise sensor**  
PRA-ANS

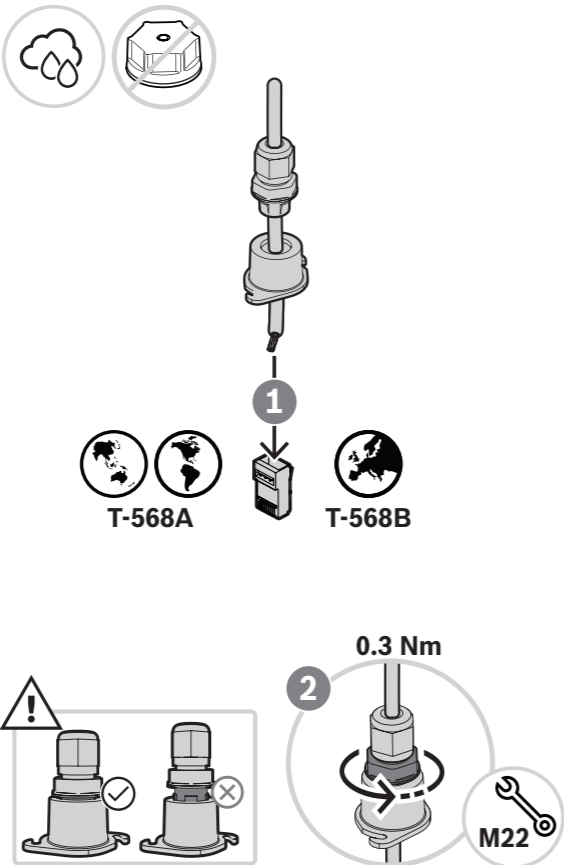


en Quick installation guide

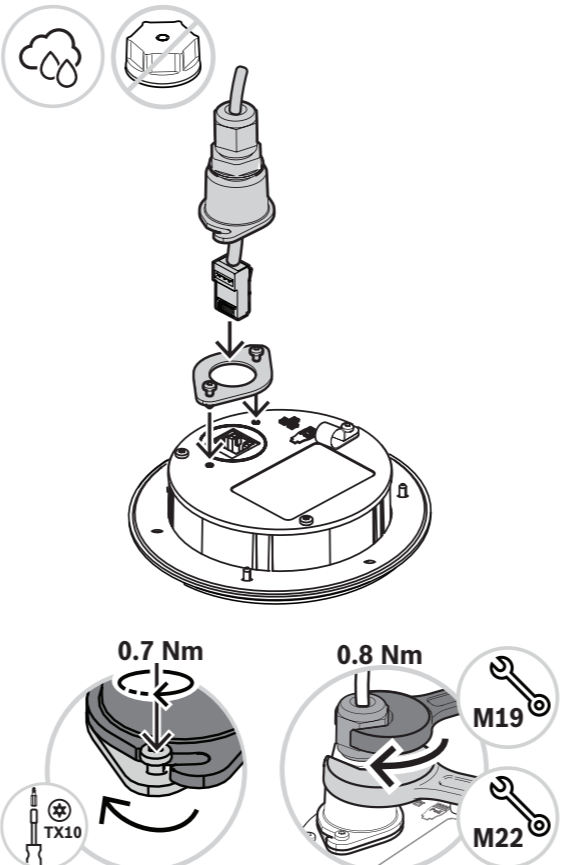
11 |



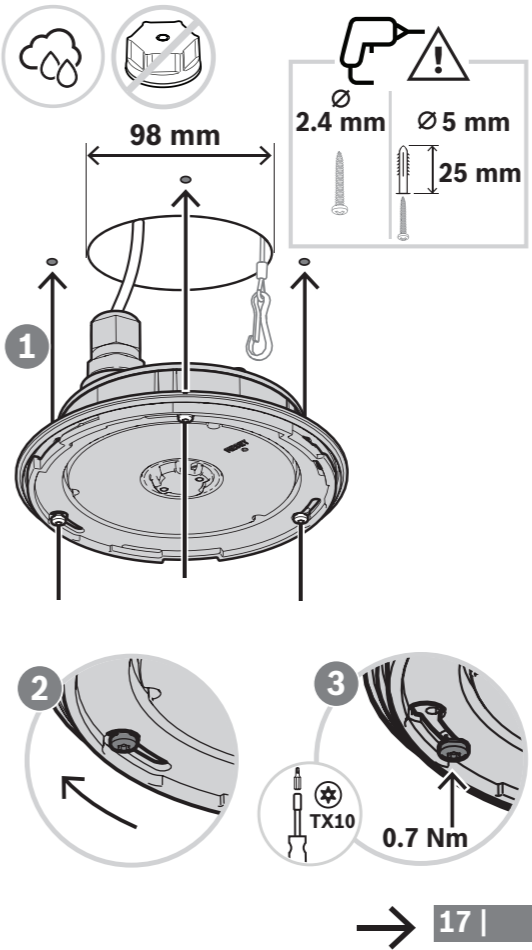
12 |



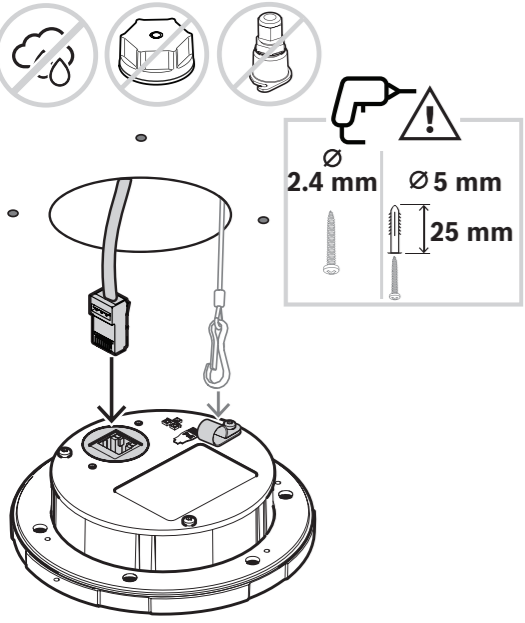
13 |



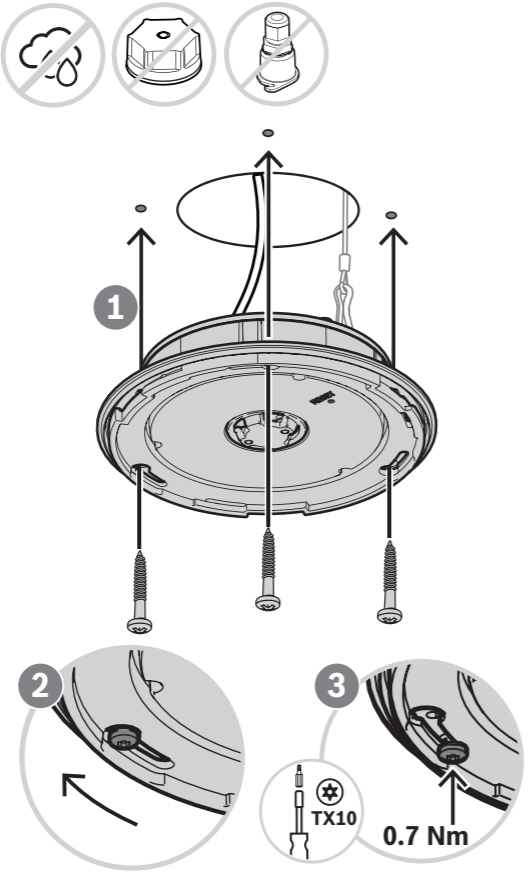
14 |



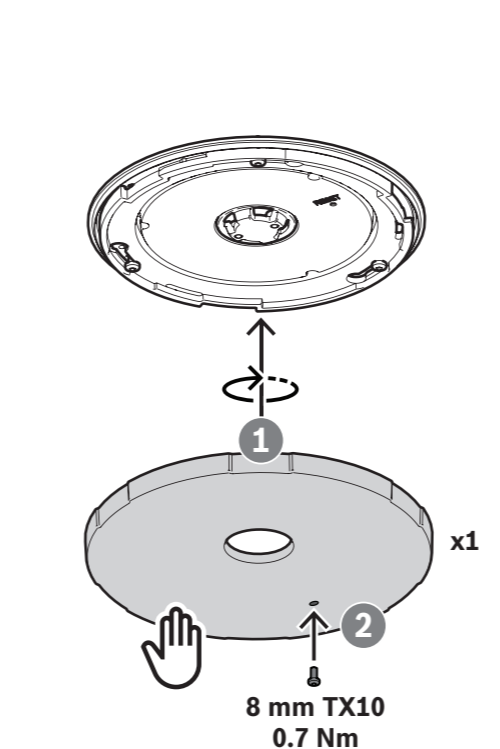
15 |



16 |



17 |



18 |

Open Source Software information for this product:  
<http://<HostnameOfDevice>/opensourcelicenses.zip>  
<http://www.boschsecurity.com/xc/en/oss/>

**FCC suppliers Declaration of Conformity**

F.01U.378.928 PRA-ANS Ambient noise sensor

**Compliance statement**

This device complies with part 15 of the FCC Rules. Operation is subject to the following two conditions:

1. This device may not cause harmful interference, and
2. this device must accept any interference received, including interference that may cause undesired operation.

**Responsible party**

Bosch Security Systems Inc.  
 130 Perinton Parkway  
 14450 Fairport, NY, USA  
[www.boschsecurity.us](http://www.boschsecurity.us)

**Bosch Security Systems B.V.**

Torenallee 49  
 5617 BA Eindhoven  
 Netherlands

[www.boschsecurity.com](http://www.boschsecurity.com)  
 © Bosch Security Systems B.V., 2022