

PRA-PSM24 Power supply module 24V

PRAESENSA



The PRA-PSM24 power supply module is a compact DIN-rail mounted power supply, delivering 24 V at up to 10 A continuously. This power supply is an OEM power supply, made for Bosch by Delta Power Supply, as a cost effective alternative to the PRAESENSA multifunction power supply PRA-MPS3 to power a PRAESENSA system controller or other devices and utilities that need 24 V, in case the additional functions and characteristics of the multifunction power supply are not needed. The PRA-PSM24 power supply can also power Bosch PAVIRO controllers and routers in case no battery backup is needed, as alternative to the Bosch PLN-24CH12 battery charger and power supply. The PRA-PSM24 is not certified for EN 54-4 and similar standards.

Functions

Mains power supply

- Compact DIN-rail mounted power supply, delivering 24 V at up to 10 A continuously, for powering various utilities and devices in Public Address systems.
- Universal mains input with power factor correction to maximize the amount of power that can be taken from a single phase power distribution network.
- The mains is supplied via a 3-pole screw plug that requires the module to be installed by professional installers and mounted in a safe place, without user access.
- Adjustable output voltage, 24 to 28 V.

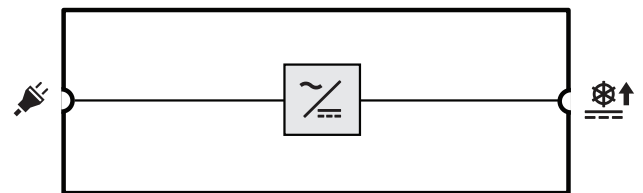
- ▶ Universal mains input voltage
- ▶ Power factor correction
- ▶ Protection with automatic recovery
- ▶ Approved to power a PRAESENSA system controller and a PAVIRO controller and router
- ▶ Compact and DIN-rail mountable


- For fail safe redundancy it is possible to use two 24 V power supplies for one PRAESENSA system controller, one connected to its 24 V input A and the other to input B. In that case, the power supply with the highest voltage will supply the power, the other one is available as backup.

Protections

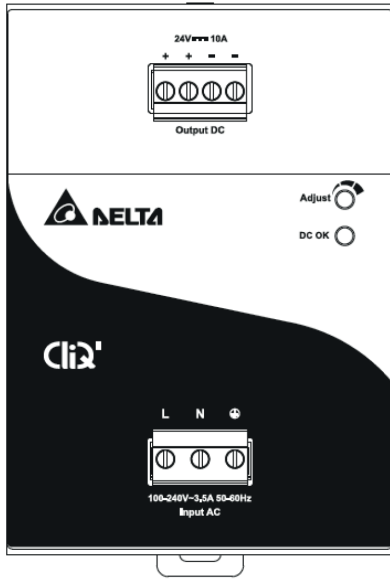
- Overvoltage protection with automatic recovery.
- Overload protection with automatic recovery.
- Over-temperature protection with automatic recovery.

Connection and functional diagram

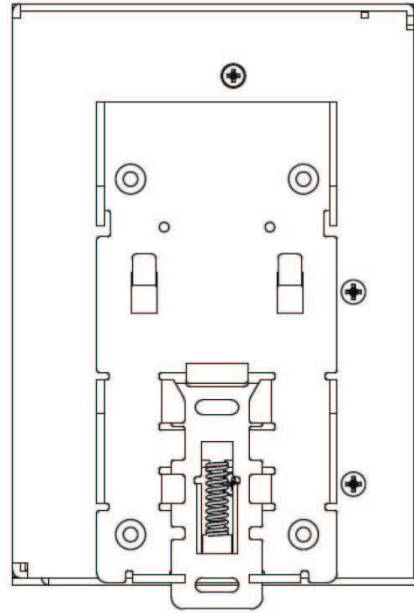


 Mains to DC converter

Front view



Rear view



Front panel control and indicator

Adjust	Output voltage adjustment	Rotary control
DC OK	Output voltage present	Green

Front panel connections

	24 VDC output	
	Mains input	

Architects' and engineers' specifications

The 24 V power supply module shall contain a mains input with power factor correction and a 24 V output. Output current capability shall be 10 A continuous and 15 A peak. It shall be approved to power Bosch PRAESENSA and PAVIRO equipment. The power supply shall be DIN-rail mountable with passive cooling. The power supply shall be marked for UL and CE and be compliant with the RoHS directive. Warranty shall be three years minimum. The power supply module shall be a Bosch PRA-PSM24.

Regulatory information

Regulatory areas	
Safety	EN 62368-1 EN 60204-1 EN 62477-1
Immunity	EN 55024 EN 61000-6-1 EN 61000-6-2
Emissions	EN 55032 EN 55011 CISPR 32 CISPR 11 FCC-47 part 15B class B EN/IEC 61000-3-2, Class A
Environment	EN/IEC 63000

Parts included

Quantity	Component
1	Power supply module 24 V
1	Set of screw connectors
1	Manufacturer's datasheet

Technical specifications

Electrical

Power transfer

Mains power supply input	
Input voltage range	100–240 VAC
Input voltage tolerance	85–264 VAC
Frequency range	50–60 Hz
Inrush current	< 35 A (115 V, 230 V)
Power factor (PF)	0.9–1.0
Leakage current to safety ground	< 1 mA (240 V)
24 VDC output	
Nominal DC output voltage	24 V
Output voltage range	24–28 V
Maximum continuous current	10 A
Derating	-0.25 A/°C above 50°C
Maximum peak current	15 A
Power consumption	
Active mode, rated power	265 W
Heat loss	
Active mode, rated power	90 kJ/h (85 BTU/h)

Protection

Overvoltage	Automatic recovery
Overload	Automatic recovery
Over-temperature	Automatic recovery

Reliability

MTBF	500,000 h
------	-----------

Environmental

Climatic conditions

Temperature	
Operating	-25–80 °C (-13–176 °F)
Storage and transport	-40–85 °C (-40–185 °F)
Humidity (non-condensing)	5–95%
Air pressure	750–1070 hPa
Altitude (operating)	0–2500 m (0–8200 ft)
Vibration (operating)	
Amplitude	< 0.35 mm
Acceleration	< 3 G
Bump (transport)	< 10 G (IEC 60068-2-27)

Airflow

Cooling	Convection
---------	------------

Mechanical

Enclosure

Dimensions (HxWxD)	121 x 85 x 124 mm (4.76 x 3.35 x 4.86 in)
Ingress protection	IP20
Mounting rail	TS35 DIN Rail (EN 60715)
Case	Aluminum
Weight	1.10 kg (2.43 lb)

Ordering information

PRA-PSM24 Power supply module 24V

24 V DIN-rail mountable power supply, full aluminum body

Order number **PRA-PSM24 | F.01U.358.131**
F.01U.410.358

Services

EWE-PRAPSM-IW 12 mths wrty ext Praes. PS Module

12 months warranty extension

Order number **EWE-PRAPSM-IW | F.01U.387.311**

Represented by:

Europe, Middle East, Africa:
Bosch Security Systems B.V.
P.O. Box 80002
5600 JB Eindhoven, The Netherlands
Phone: + 31 40 2577 284
www.boschsecurity.com/xc/en/contact/
www.boschsecurity.com

Germany:
Bosch Sicherheitssysteme GmbH
Robert-Bosch-Ring 5
85630 Grasbrunn
Tel.: +49 (0)89 6290 0
Fax: +49 (0)89 6290 1020
de.securitysystems@bosch.com
www.boschsecurity.com

North America:
Bosch Security Systems, LLC
130 Perinton Parkway
Fairport, New York, 14450, USA
Phone: +1 800 289 0096
Fax: +1 585 223 9180
onlinehelp@us.bosch.com
www.boschsecurity.com

Asia-Pacific:
Robert Bosch (SEA) Pte Ltd, Security Systems
11 Bishan Street 21
Singapore 573943
Phone: +65 6571 2808
Fax: +65 6571 2699
www.boschsecurity.com/xc/en/contact/
www.boschsecurity.com