

PSP-D00095 Ceiling loudspeaker, 6W, screw mount



The PSP-D00095 is an economic, flush-mounting, ceiling loudspeaker for general-purpose applications. It is a full-range loudspeaker for speech and music reproduction in shops, department stores, schools, offices, sports halls, hotels and restaurants. The PSP-D00095 has a single-piece, 6 W, dual-cone loudspeaker. A 100 V matching transformer is mounted on the back of the frame. The circular metal grille is an integrated part of the front, and is finished in an unobtrusive cream color.

Regulatory information

Safety	acc. to EN 60065
Ball-proof	acc. to DIN VDE 0710 part 13
* Water and dust protection*	acc. to EN 60529-IP32

Notice

* Only in combination with the LBC3080/01 Fire dome

Installation/configuration notes

Installation

The assembly is quickly installed into a hole in the ceiling cavity and secured with three white-colored screws supplied with the product.

- ▶ Suitable for speech and music reproduction
- ▶ Screw mounting
- ▶ Simple power setting

Terminal Block

The unit has a two-way terminal block with screw connections suitable for loop-through wiring. The matching transformer has four primary taps that allow you to select, in 3 dB steps:

- Nominal full-power
- Half-power, or
- Quarter-power.

Fire dome

During a fire, the ceiling cavity in which loudspeakers are installed can allow flames to spread throughout a building. To prevent fire entering the cavity via the loudspeaker, the ceiling loudspeaker can be fitted with a protective steel fire dome (LBC3080/01). This optional fire dome is mounted on the loudspeaker assembly using four self-tapping screws, supplied as standard. There are four knock-out holes; two (2) for rubber grommets (supplied) and two (2) for cable glands (PG13).

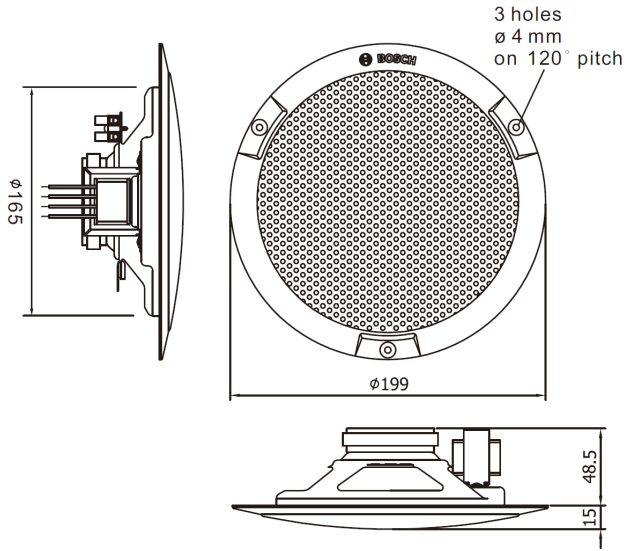


Fig. 1: Dimensions

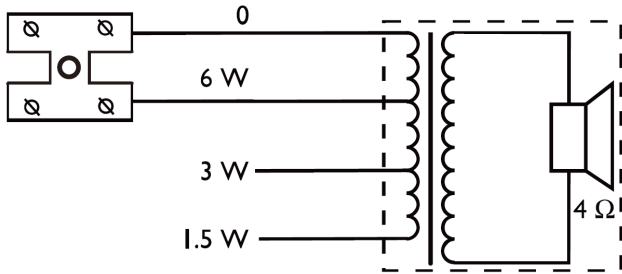


Fig. 2: Circuit diagram

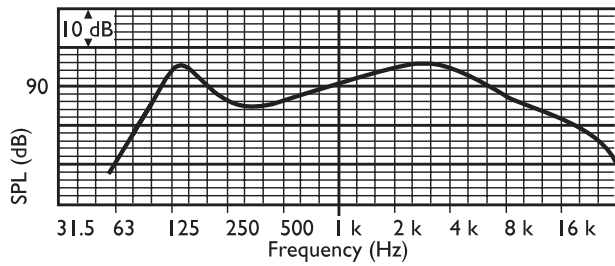


Fig. 3: Frequency response

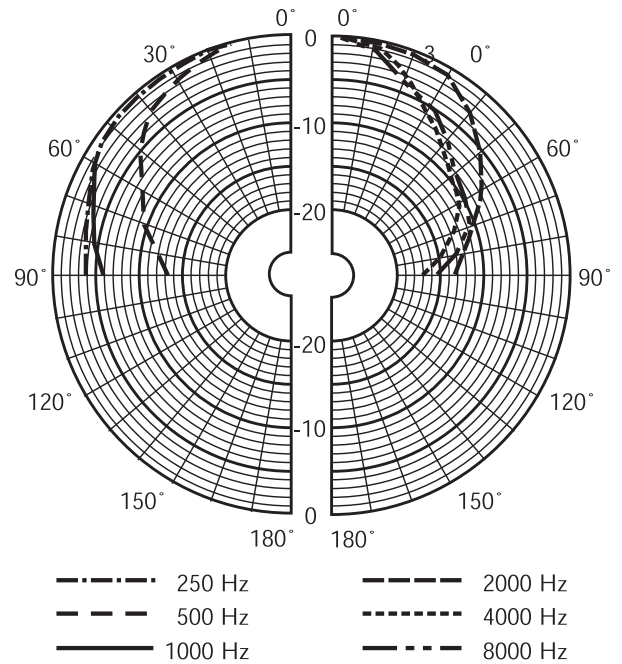


Fig. 4: Polar diagram (measured with pink noise)

	125 Hz	250 Hz	500 Hz	1 kHz	2 kHz	4 kHz	8 kHz
SPL 1.1	94	91	86	89	94	94	86
SPL max.	102	99	94	97	102	102	94
Q-factor	3	4.7	2.3	4.5	6.6	11	17
Efficiency	1.1	0.4	0.2	0.22	0.48	0.3	0.03
H. angle	170	150	180	160	100	65	55
V. angle	170	150	180	160	100	65	55

Tab. 1: Acoustical performance specified per octave

Parts included

Quantity	Component
1	PSP-D00095 Ceiling loudspeaker, 6W, screw mount
3	White colored screws

Technical specifications

Electrical*

Power consumption (W)	9 W	
Rated power (W)	6 W / 3 / 1.5	
Sound pressure level at 6 W / 1 W (1 kHz, 1 m)	97 dB / 89 dB (SPL)	
Sound pressure level at 6 W / 1 W (1 kHz, 4 m)	85 dB / 79 dB (SPL)	
Frequency range (-10 dB) (Hz)	80 Hz – 80000 Hz	
Coverage angle HxV (-6 dB, 1 kHz) (°)	160° x 160°	
Coverage angle HxV (-6 dB, 4 kHz) (°)	65° x 65°	
Rated voltage		100 V
Rated impedance	6 W	1667 Ω
	3 W	3333 Ω
	1.5	6667 Ω
Connector type	2-pole spring terminal	

* Technical performance data acc. to IEC 60268-5

Mechanical

Dimensions (Ø x D) (mm)	199 mm x 63.5 mm	
Dimensions (Ø x D) (in)	7.8 in x 2.8 in	
Mounting cut-out (mm)	165 mm + 5 mm	
Speaker diameter (mm)	152.4 mm	
Speaker diameter (in)	6 in	
Mounting cut-out (in)	6.5 in + 0.20 in	
Weight (g)	720 g	
Weight (lb)	1.6 lb	
Magnet weight (g)	80 g	
Magnet weight (oz)	2.8 oz	

Represented by:

Europe, Middle East, Africa:
 Bosch Security Systems B.V.
 P.O. Box 80002
 5600 JB Eindhoven, The Netherlands
 Phone: + 31 40 2577 284
www.boschsecurity.com/xc/en/contact/
www.boschsecurity.com

Germany:
 Bosch Sicherheitssysteme GmbH
 Robert-Bosch-Ring 5
 85630 Grasbrunn
 Tel.: +49 (0)89 6290 0
 Fax: +49 (0)89 6290 1020
de.securitysystems@bosch.com
www.boschsecurity.com

North America:
 Bosch Security Systems, LLC
 130 Perinton Parkway
 Fairport, New York, 14450, USA
 Phone: +1 800 289 0096
 Fax: +1 585 223 9180
onlinehelp@us.bosch.com
www.boschsecurity.com

Asia-Pacific:
 Robert Bosch (SEA) Pte Ltd, Security Systems
 11 Bishan Street 21
 Singapore 573943
 Phone: +65 6571 2808
 Fax: +65 6571 2699
www.boschsecurity.com/xc/en/contact/
www.boschsecurity.com

Color in RAL	RAL 9001 Cream
--------------	----------------

Environmental

Operating temperature (°C)	-25 °C – 55 °C
Operating temperature (°F)	-13 °F – 131 °F
Storage temperature (°C)	-40 °C – 70 °C
Storage temperature (°F)	-40 °F – 158 °F
Operating relative humidity, non-condensing (%)	95%

Note:

- The specification data is measured in an anechoic chamber, on a standard baffle
- The reference axis is perpendicular to the center point of the front grille
- The reference plane is perpendicular to the center of the reference axis
- The horizontal plane is perpendicular to the center of the reference plane

Ordering information

PSP-D00095 Ceiling loudspeaker, 6W, screw mount
 Ceiling loudspeaker, 6 W, integrated circular metal grille, screw mounted with 3 white screws included, cream RAL 9001.
 Order number **PSP-D00095 | F.01U.399.449**

Accessories

LBC3080/01 Metal fire dome
 Metal fire dome for the LBC3087/41, LBC3090/01, LBC3090/31, LHM0606/00, LHM0606/10, and LHM0626/00 ceiling loudspeakers, EN54-24 certified, flame red RAL 3000.
 Order number **LBC3080/01 | F.01U.007.651**

LBC3080/11 Metal fire dome, white
 Metal fire dome for LBC3087/41, LBC3090/01, LBC3090/31, LHM0606/00, LHM0606/10 and LHM0626/00 ceiling loudspeakers, white RAL 9010.
 Order number **LBC3080/11 | F.01U.165.177**